

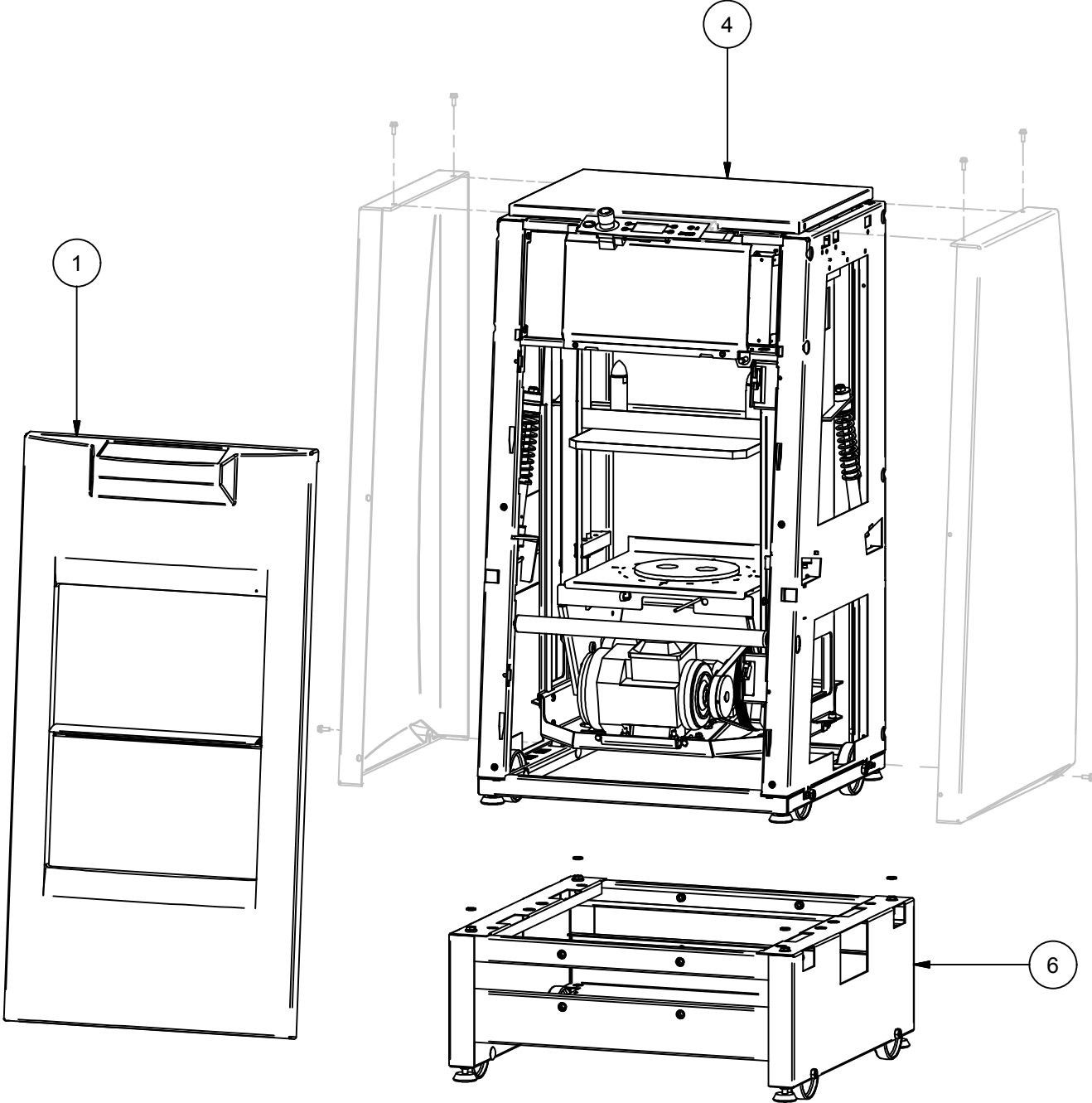
# Spare Parts book SK550 1.1



# INDEX

<b>Description</b>	<b>Remarks</b>	<b>Page</b>
Panels .....	.....	7100
Frames .....	.....	7101
Door .....	.....	7102
Outer frame .....	.....	7110
Clamping frame .....	.....	7120
Clamping spindles .....	.....	7121
Motor frame .....	.....	7130
Crank .....	.....	7131
Super-Strut .....	.....	7132
Super-strut, soft .....	.....	7133
Power unit .....	.....	7140
<b>Options</b>		
Height adjustment frame ..... 62.5 – 64.5 cm .....		7152

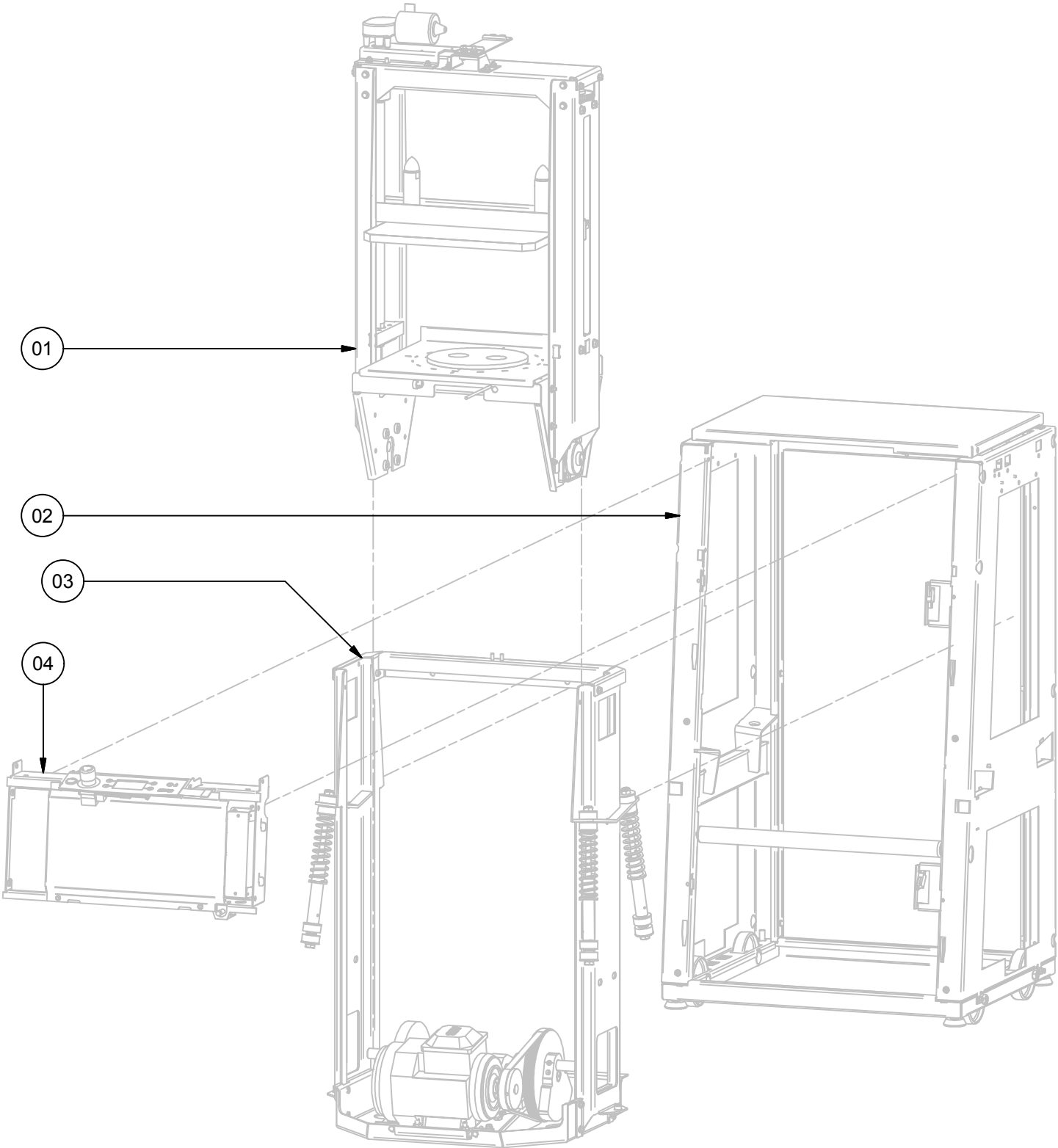
# 7100 Panels



# 7100 Panels

PARTS LIST			
ITEM	SPARE PART NUMBER	DESCRIPTION	REMARKS
1	1862496-SP	S0/SK,door,assy>manual	Page 7102
4		Frames	Page 7101
6		Height adjustment (option) 62.5 - 74.5 cm	Page 7152

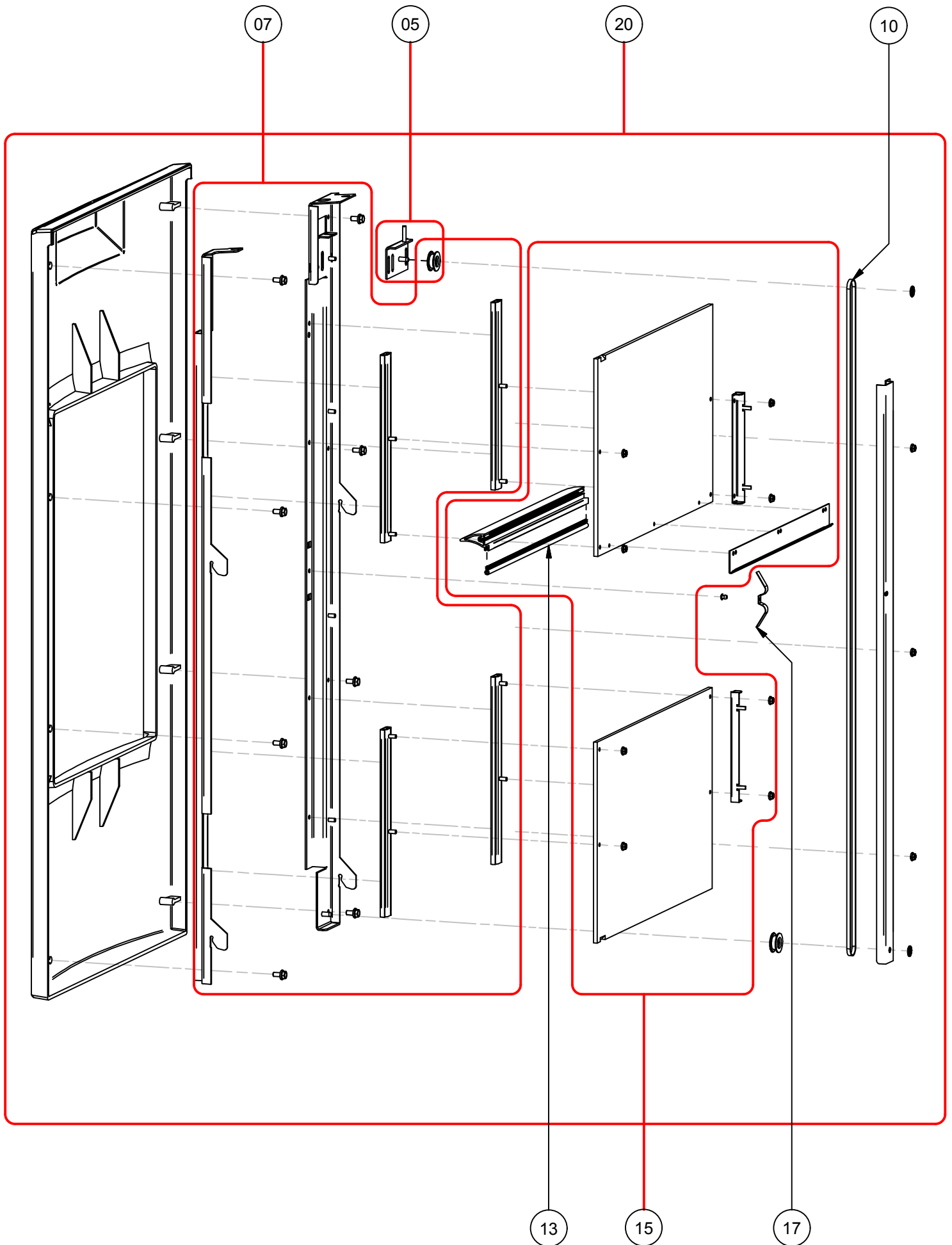
# 7101 Frames



# 7101 Frames

PARTS LIST			
ITEM	SPARE PART NUMBER	DESCRIPTION	REMARKS
01		Clamping frame	Page 7120
02		Outer frame	Page 7110
03		Motor frame	Page 7130
04		Power unit	Page 7140

# 7102 Door



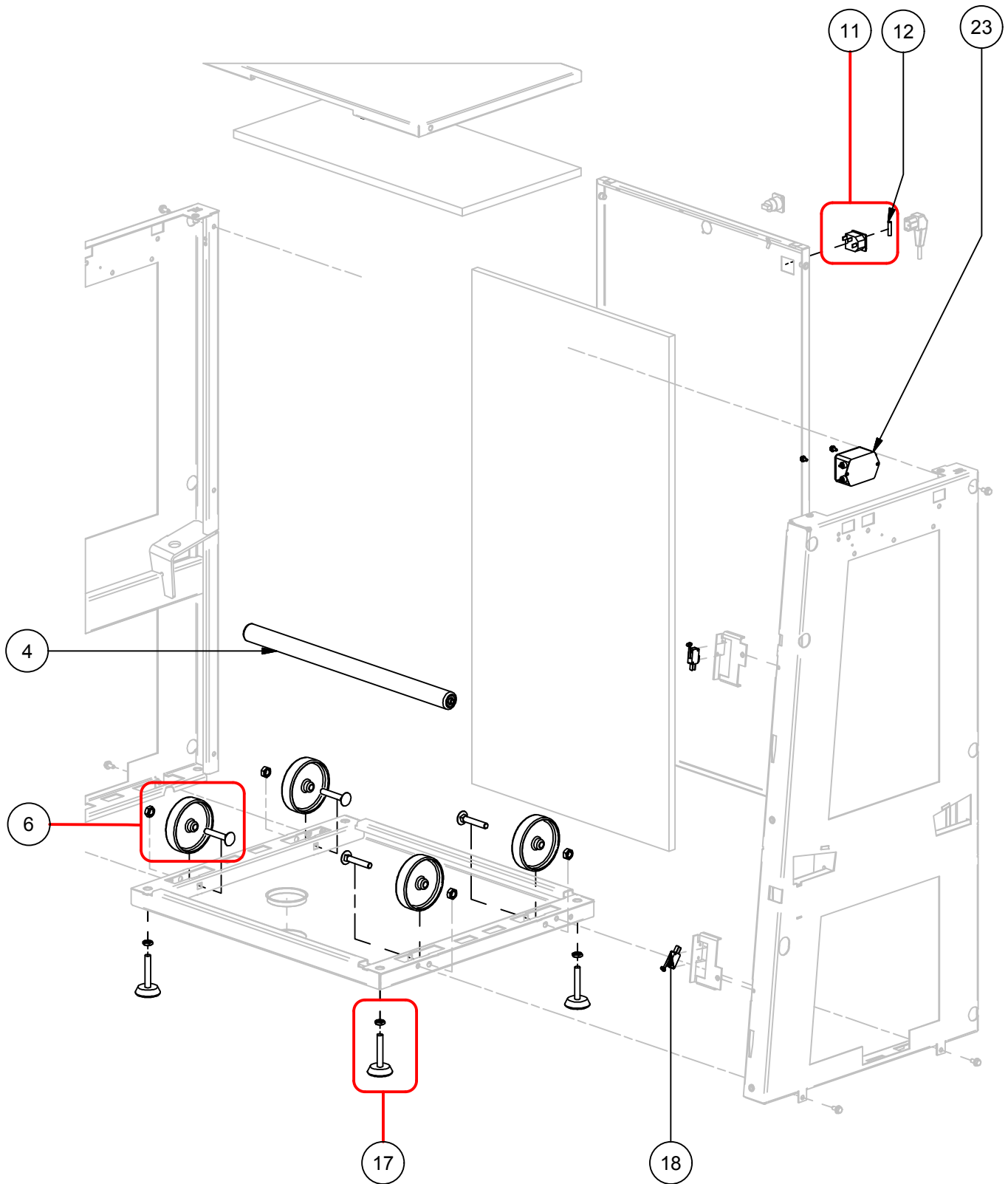
# 7102 Door

PARTS LIST			
ITEM	SPARE PART NUMBER	DESCRIPTION	REMARKS
05	1810424-SP	Bracket,manual,assy,S0/SK	
07	1809990-SP	Guiding,door,set,S0/SK	
10	1810429-SP	Belt,door,S0/SK	
13	1864081-SP	rubber,sharkgrip,S0/SK (10 pcs)	
15	1809790-SP	Door>window,assy,S0/SK	
17	1811350-SP	Spring,leaf,door,S0/SK	
20	1862496-SP	S0/SK,door,assy>manual	



# 7110

## Outer frame

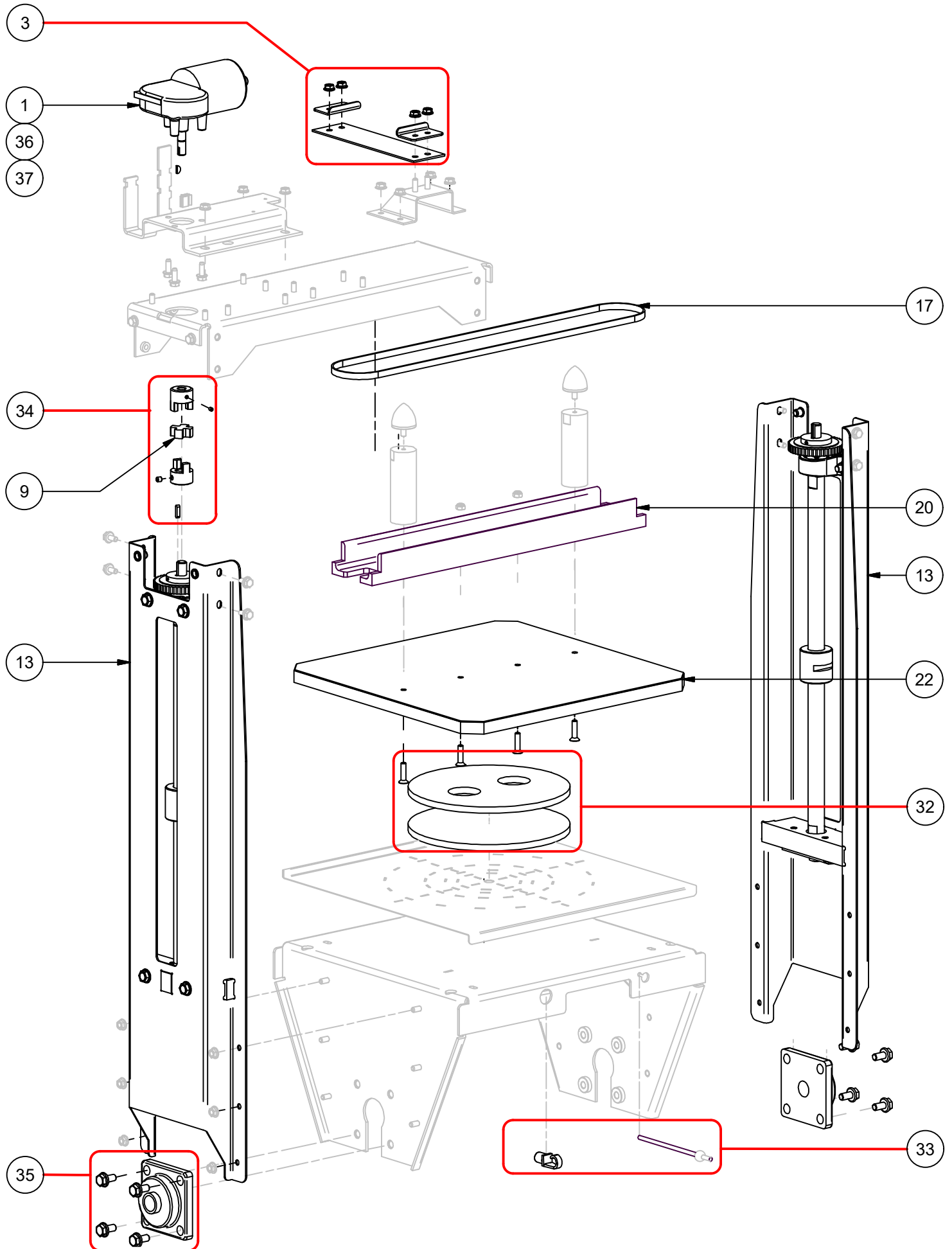


# 7110

## Outer frame

PARTS LIST			
ITEM	SPARE PART NUMBER	DESCRIPTION	REMARKS
4	1864248-SP	Roller, adjustable,SK	
6	1860277-SP	Wheel,nylon+bolt's&nut's,4pcs	
11	1818326-SP	Net entry-line filter	Up to 07-05-2016
11	1864618-SP	Netentry, PF0033/20/63	From 08-05-2016
12	1602782-SP	Fuse,10A,set,10pcs	
17	1862594-SP	Foot,plastic,M10x60(set 4 pcs)	
18	1160200-SP	Switch,micro,V-166-105(R)	
23	1862924-SP	Filter,FB-10Z,10A	From 08-05-2016

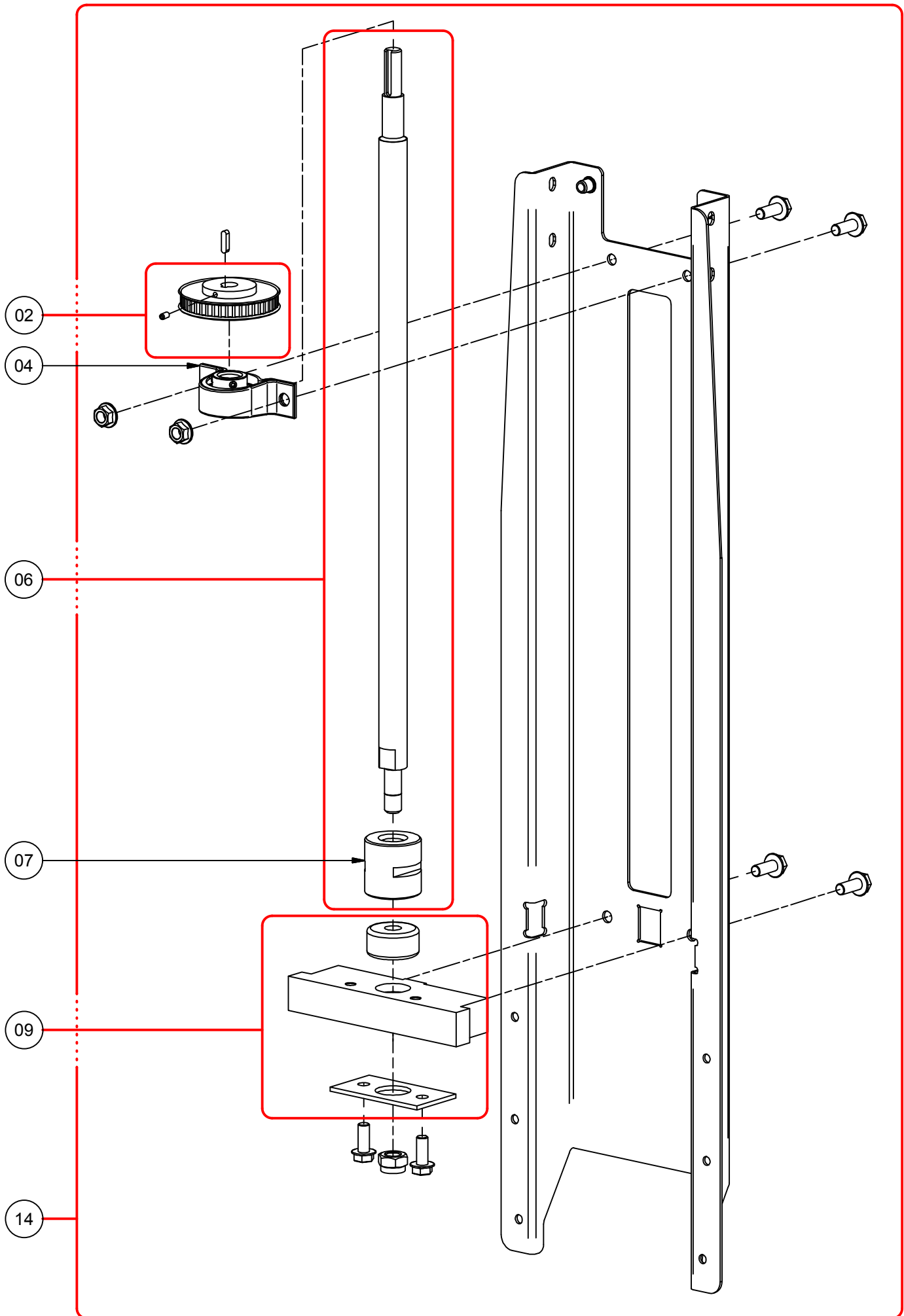
# 7120 Clamping frame



# 7120 Clamping frame

PARTS LIST			
ITEM	SPARE PART NUMBER	DESCRIPTION	REMARKS
1	1818227-SP	Clampingmotor	
3	1810488-SP	Leafspring,set,S0/SK	
9	1861158-SP	Buffer,Coupling,S0,5pcs	
13	1862506-SP	Spindle,assy,S0/SK (2pcs)	Page 7121
17	1862173-SP	V-belt,clamp,S0/SK	
20	1809674-SP	Profile,plate,clamp,S0/SK	
22	1819059-SP	Top plate with rubber	Machine code 56.....02 only
22	1815253-SP	Top plate with rubber	
32	5109020-SP	Disc,foam,set(f170mm)	
33	1862518-SP	Hook,assy,S0/SK,set 10pcs	
34	1864220-SP	Coupling,buffer set S0/SK	
35	1862580-SP	Bearing,UCF+bolt's,set2pcs.	
36	1818199-SP	Clampmotorcable,Cable11,SK550	
37	1818200-SP	Encodercable,Cable12,SK550	

# 7121 Clamping spindles

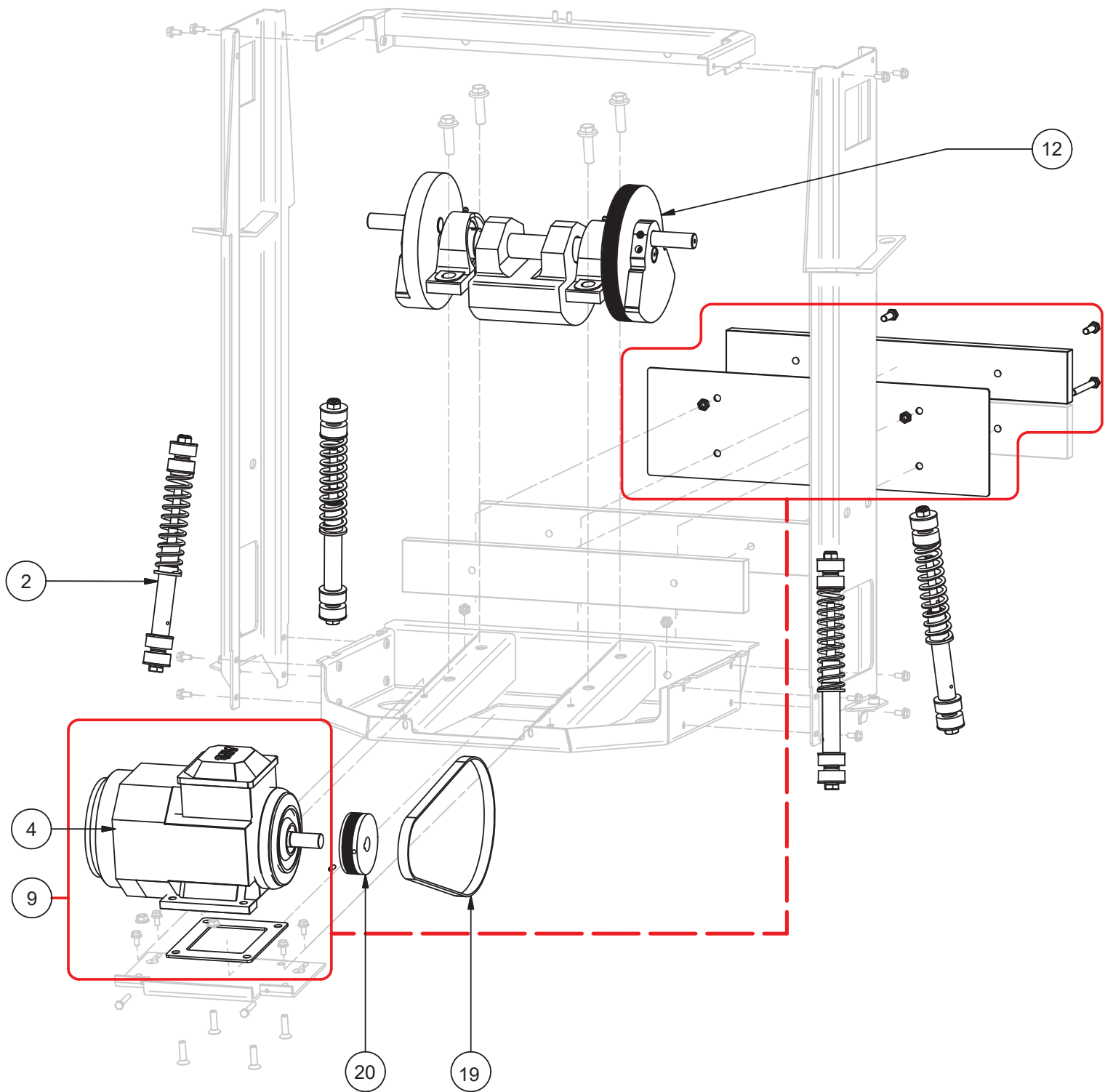


# 7121 Clamping spindles

PARTS LIST			
ITEM	SPARE PART NUMBER	DESCRIPTION	REMARKS
02	1809678-SP	Pulley,spindle,clamp,S0/SK	
04	1862167-SP	Bearing,PBY15,2pcs,S0/SK	
06	1809679-SP	Spindle+nut,S0/SK (2pcs)	
07	1809680-SP	Nut,spindle,clamp,S0/SK,2pcs	
09	1809654-SP	Bearing,set,2pcs,S0/Sk	
14	1862506-SP	Spindle,assy,S0/SK (2pcs)	

# 7130

## Motor frame



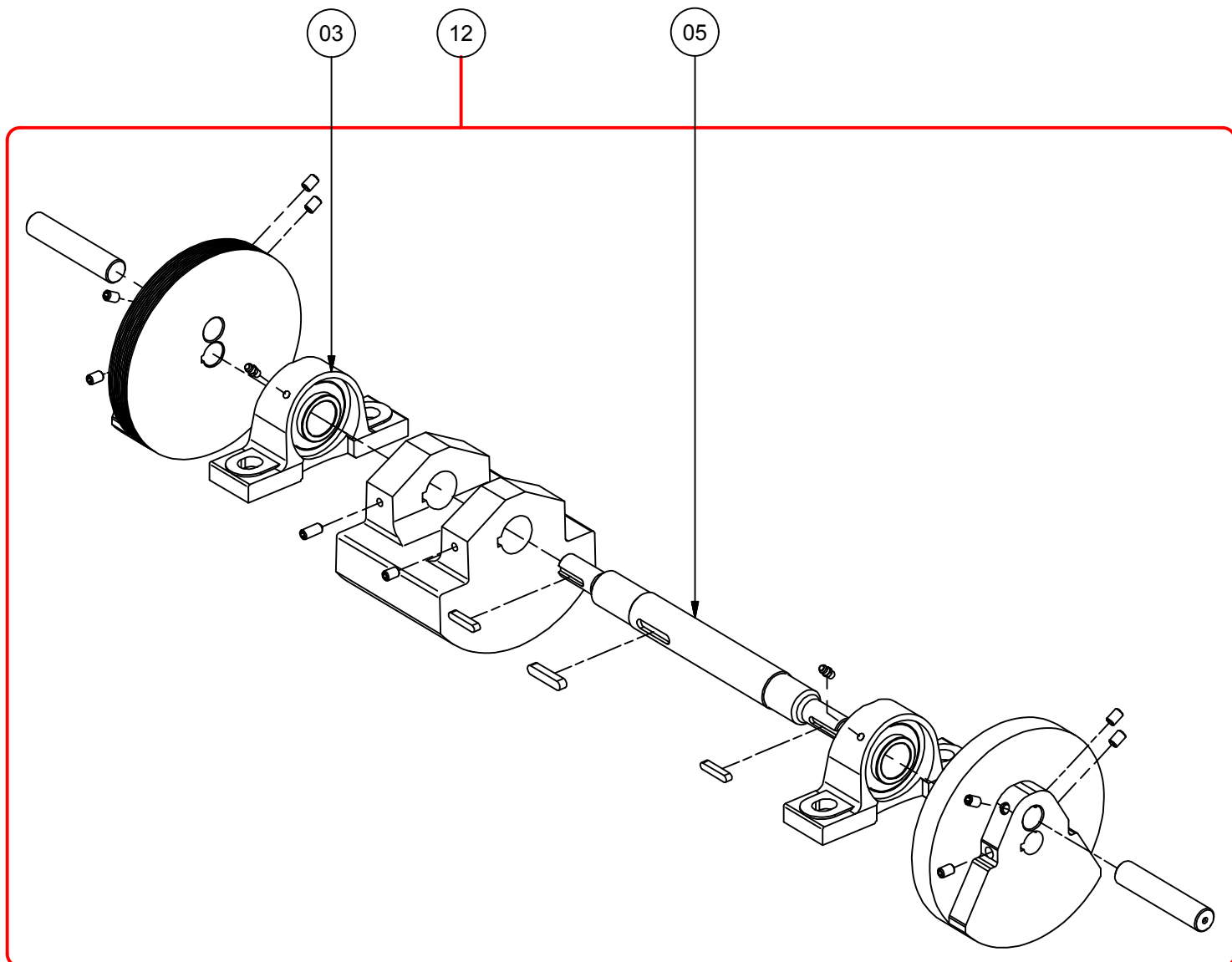
# 7130

## Motor frame

PARTS LIST			
ITEM	SPARE PART NUMBER	DESCRIPTION	REMARKS
2	1812190-SP	Superstr,soft,assy,S0/SK,4pcs	Page 7133
2	1864139-SP	Super-strut,S0/SK,4pcs	Page 7132
4	1865815-SP	Motor,750W,3phase,IE3	From 15/11/21 S.N 1122675
9	1865833-SP	Motor,kit,750W,3phase,IE3	Up to 14/11/21
12	1809465-SP	Crank,assy,S0/SK	Page 7131
19	1818228-SP	V-belt,shakemotor,MV6PJ813	
20	1818105-SP	Pulley,Shakemotor,SK,dia80	



# 7131 Crank



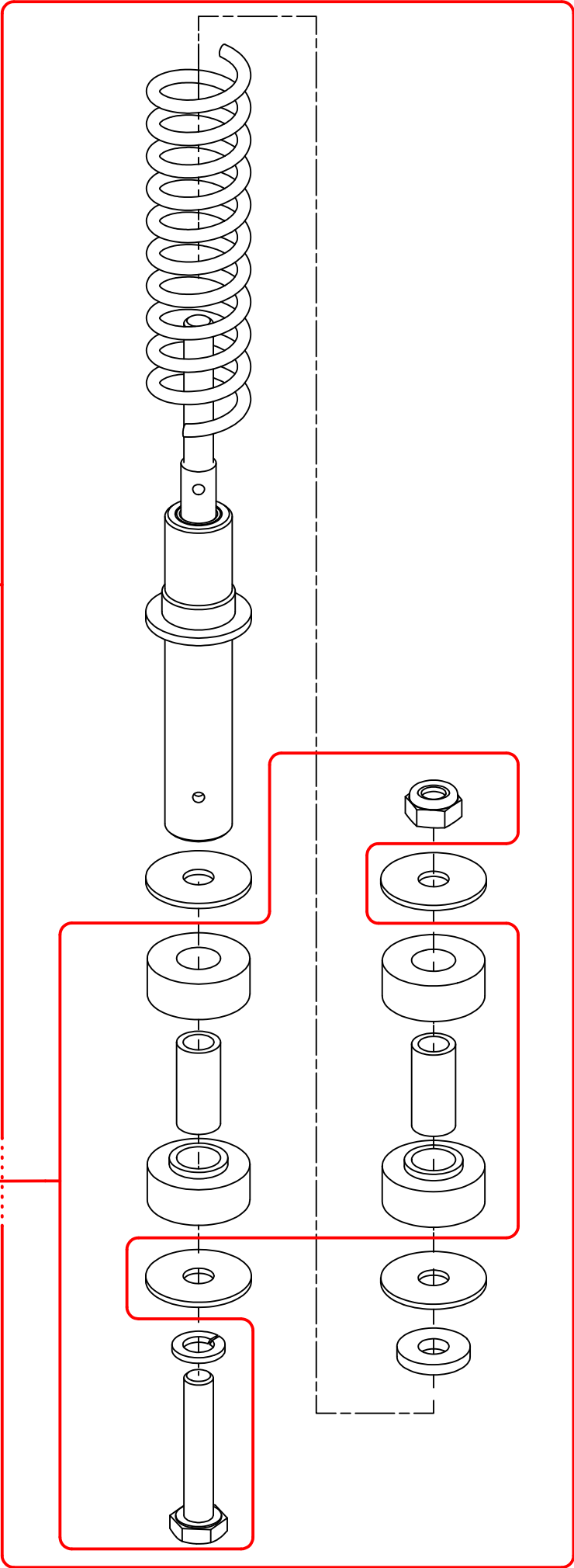
# 7131 Crank

PARTS LIST			
ITEM	SPARE PART NUMBER	DESCRIPTION	REMARKS
03	1863322-SP	Bearing, RASEY30 JIS	
05	1812338-SP	Crankshaft,S0/SK	
12	1809465-SP	Crank,assy,S0/SK	

# 7132 Super-strut

11

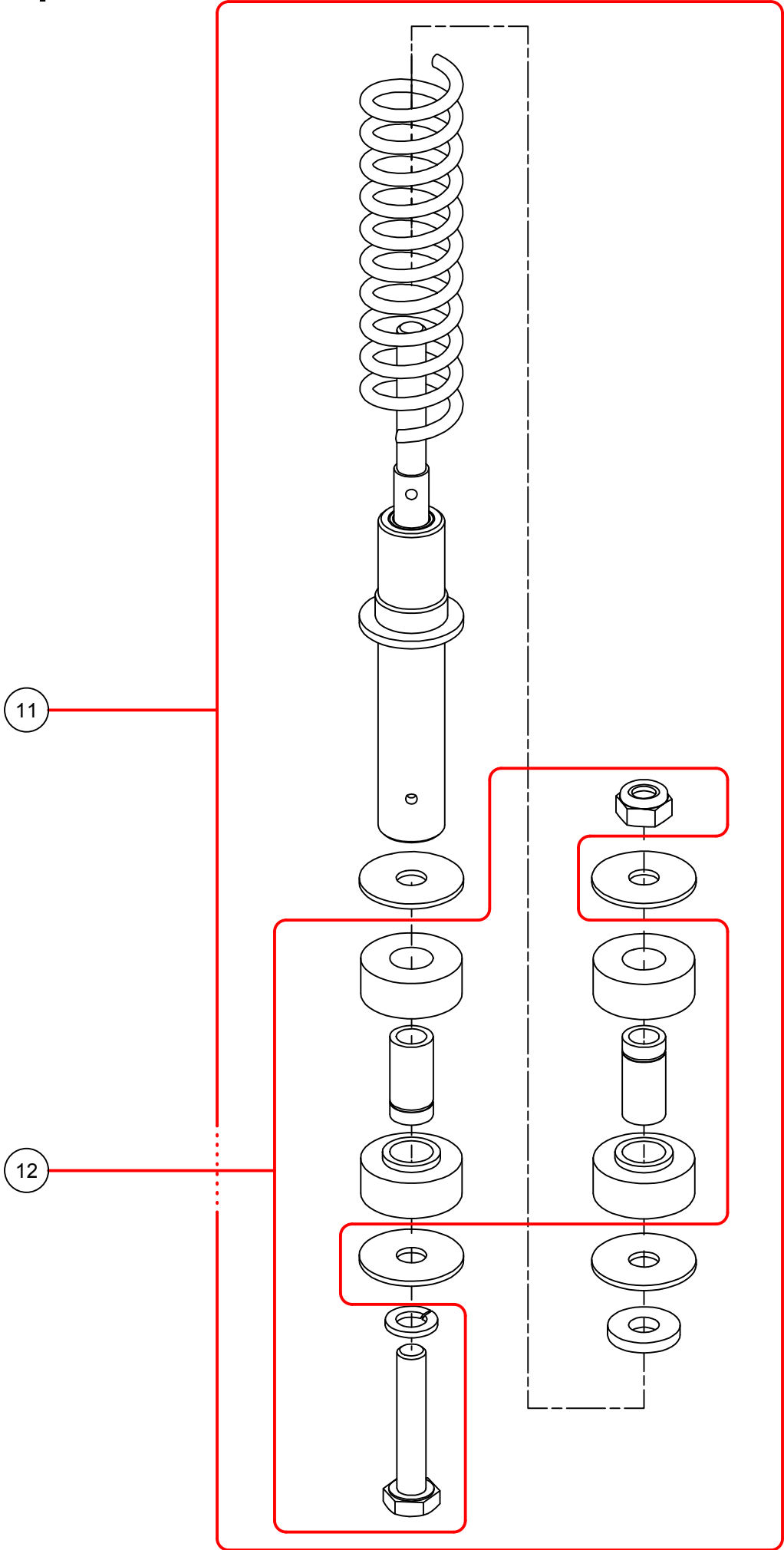
10



# 7132 Super-strut

PARTS LIST			
ITEM	SPARE PART NUMBER	DESCRIPTION	REMARKS
10	1864025-SP	Strut,spacer&grommet,kit(4pcs)	
11	1864139-SP	Super-strut,S0/SK,4pcs	

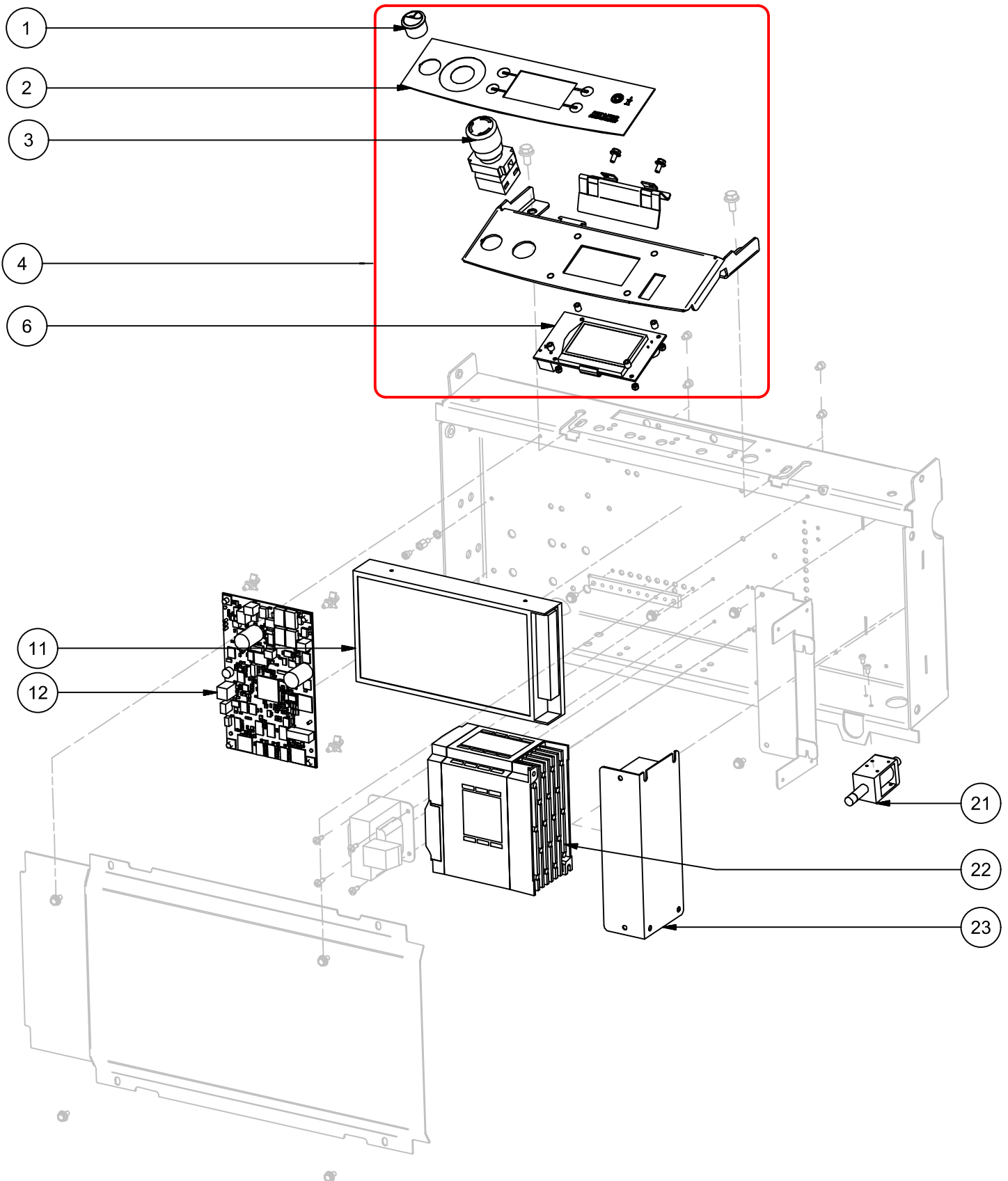
# 7133 Soft super-strut



# 7133 Soft super-strut

PARTS LIST			
ITEM	SPARE PART NUMBER	DESCRIPTION	REMARKS
11	1812190-SP	Superstr,soft,assy,S0/SK,4pcs	
12	1864066-SP	Soft strut,spacer&grommet,4pcs	

# 7140 Power unit



# 7140

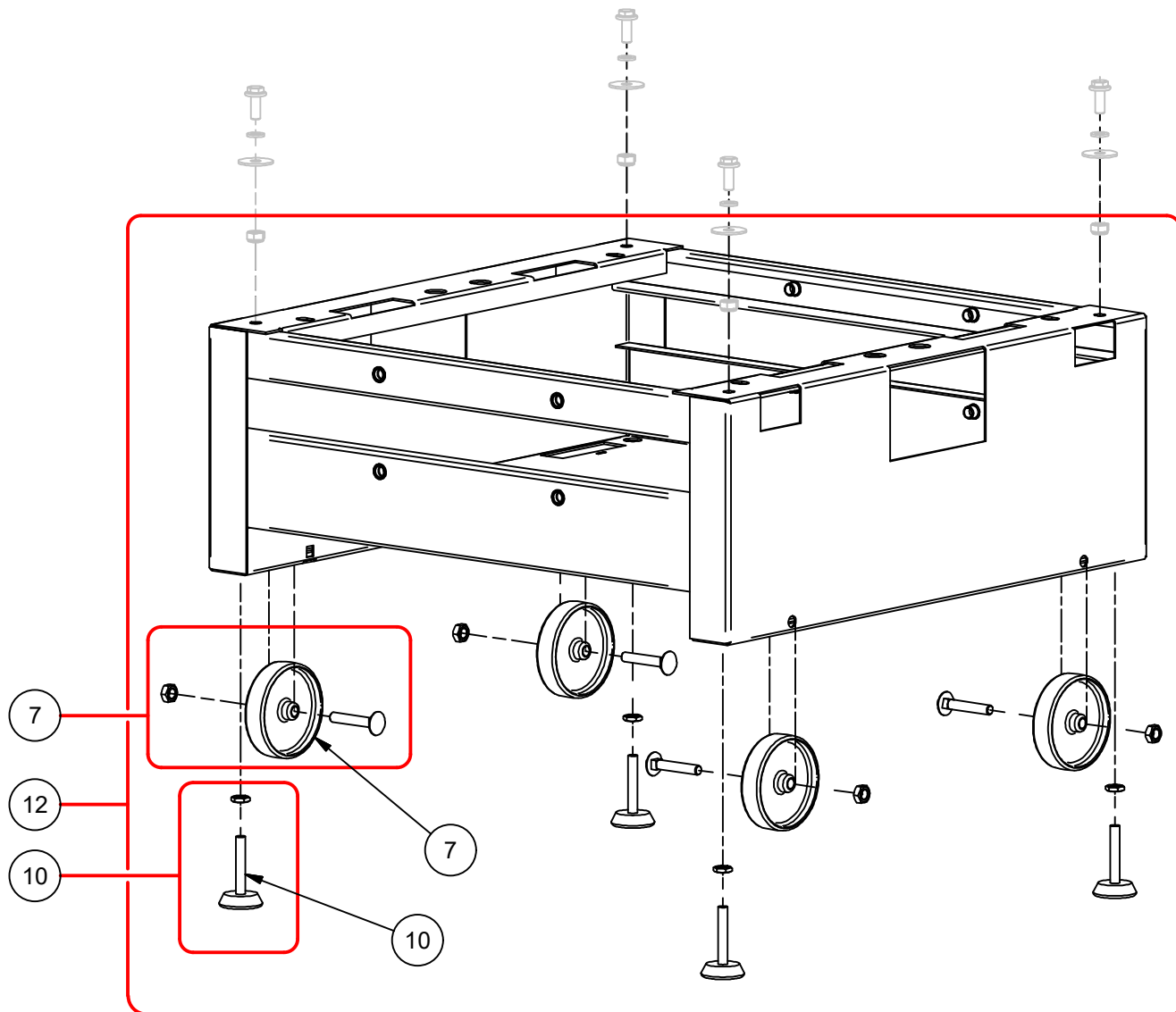
## Power unit

PARTS LIST			
ITEM	SPARE PART NUMBER	DESCRIPTION	REMARKS
1	1818182-SP	Switch,on-of,round rocker	
2	1818132-SP	Keyboard Foil, SK	
3	1864937-SP	Emergency,switch,complete	
4	1818296-SP	Display,keyboard,assy,SK	From wk 38 2019
6	1818130-SP	Display SK,GA	
11	1818145-SP	Powersupply	Up to 8 Nov 2015
11	1818363-SP	Powersupply	From 9 Nov 2015
12	1818155-SP	PCB,logic board V3.1.ipt	
21	1860672-SP	Solenoid	
22	1864913-SP	Inverter 3G3MX2-AB004-E	Up to 27 Feb 2022
22	1865880-SP	Inverter,C200-012-00033	From 28 feb 2022
23	1865400-SP	LL-Filter	Up to 7 May 2016
23	1818646-SP	Mains filter,AX-FIM1010-RE	From 8 May 2016



# 7152 Height adjustment frame (260 MM)

62.5 - 64.5 cm



# 7152 Height adjustment frame

62.5 - 64.5 cm

PARTS LIST			
ITEM	SPARE PART NUMBER	DESCRIPTION	REMARKS
7	1860277-SP	Wheel,nylon+bolt's&nut's,4pcs	
10	1862594-SP	Foot,plastic,M10x60(set 4 pcs)	
12	1863776-SP	Shaker height adj 62.5-64.5cm	