

# Spare parts book SK300

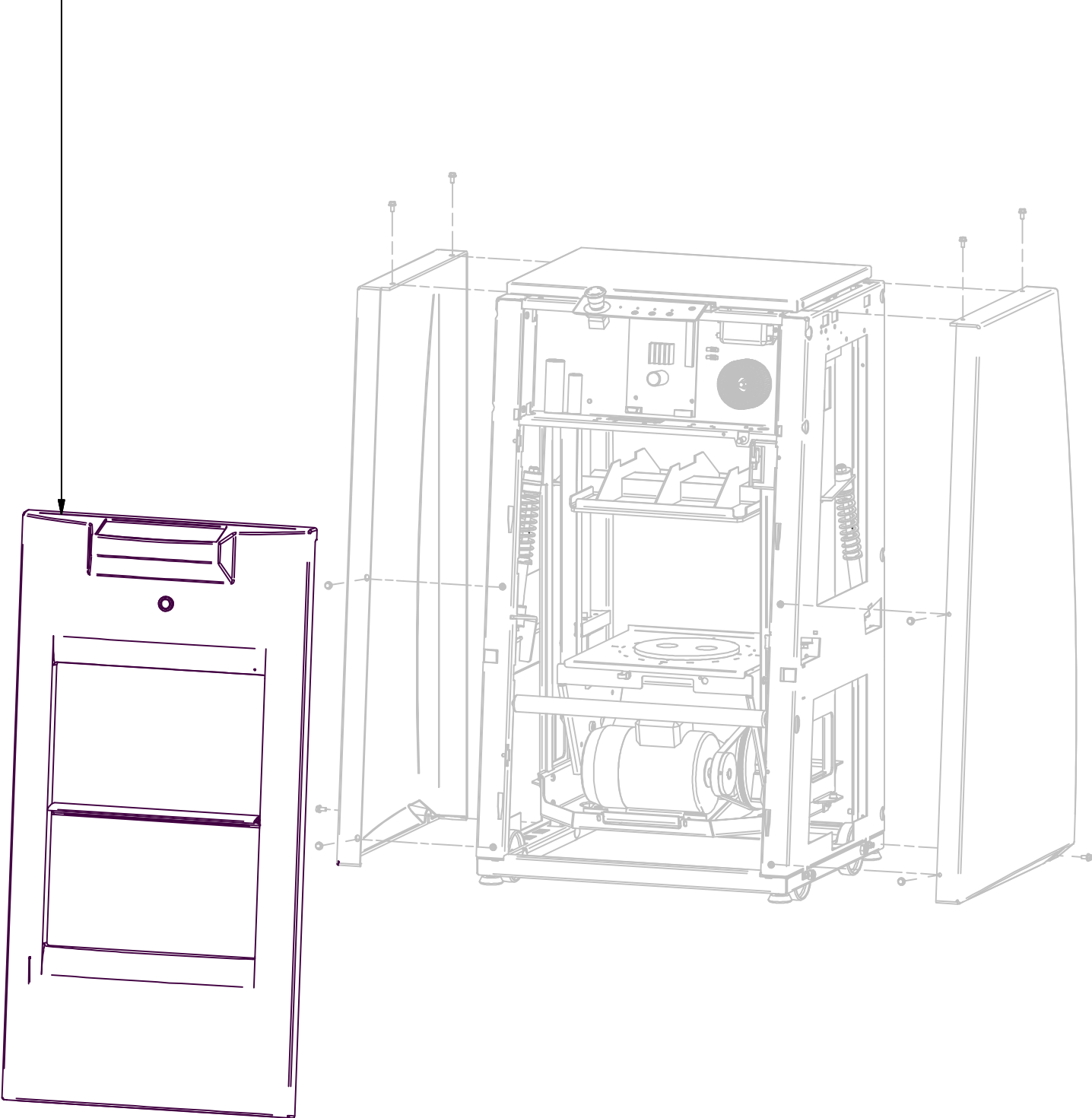


# INDEX

<b>Description</b>	<b>Remarks</b>	<b>Page</b>
<b>Panels</b> .....		<b>6100</b>
Frames .....		6101
Door .....		6102
<b>Outer frame</b> .....		<b>6110</b>
<b>Clamping frame</b> .....		<b>6120</b>
Clamping spindles .....		6121
Clamping motor .....		6122
<b>Motor frame</b> .....		<b>6130</b>
Crank .....		6131
Super-Strut .....		6132
<b>Power unit</b> .....		<b>6140</b>
<b>Power unit</b> .....		<b>6140-A</b>

# 6100 Panels

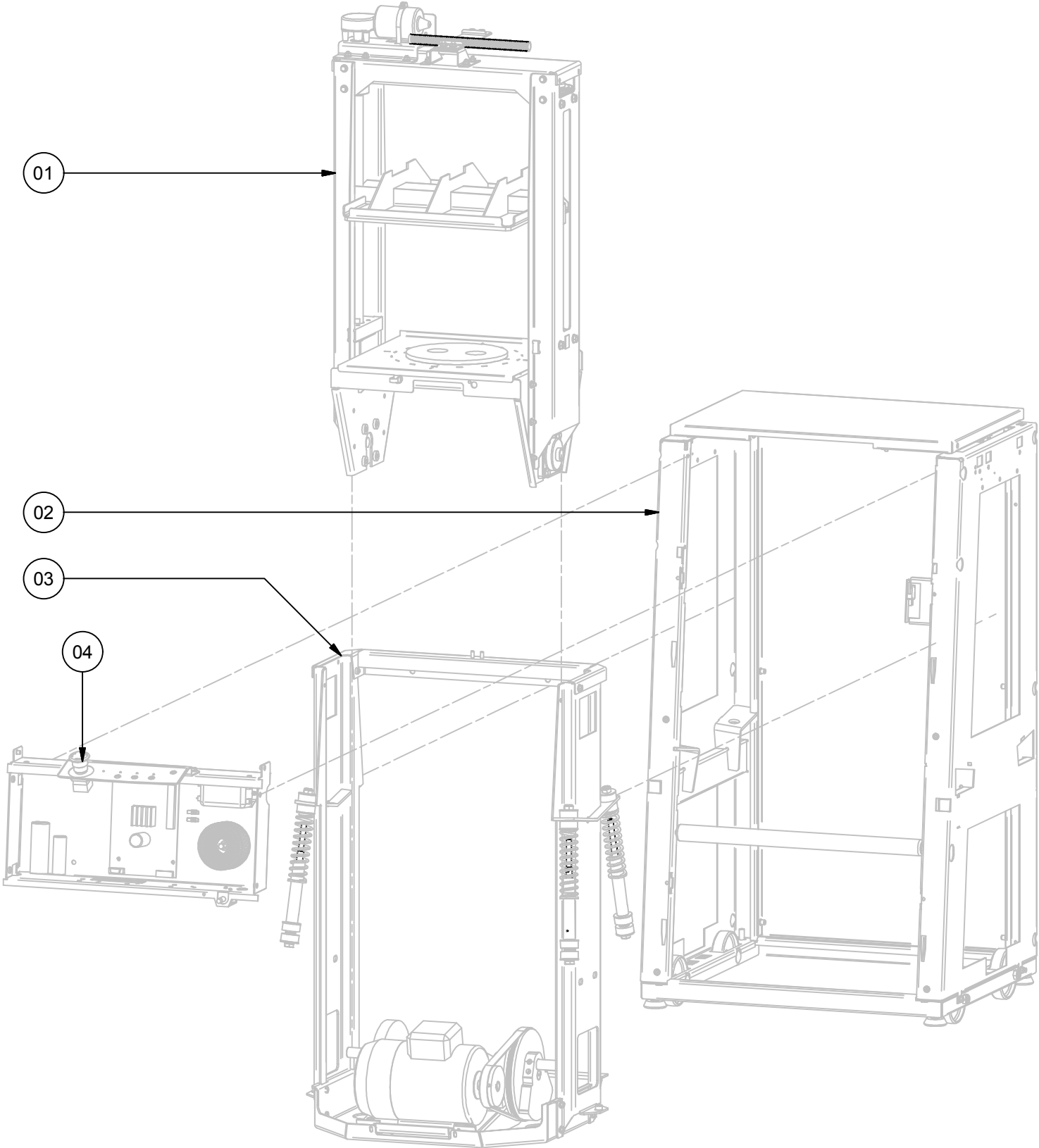
01



# 6100 Panels

PARTS LIST			
ITEM	SPARE PART NUMBER	DESCRIPTION	REMARKS
01	1862496-SP	S0/SK,door,assy>manual	Page 6102

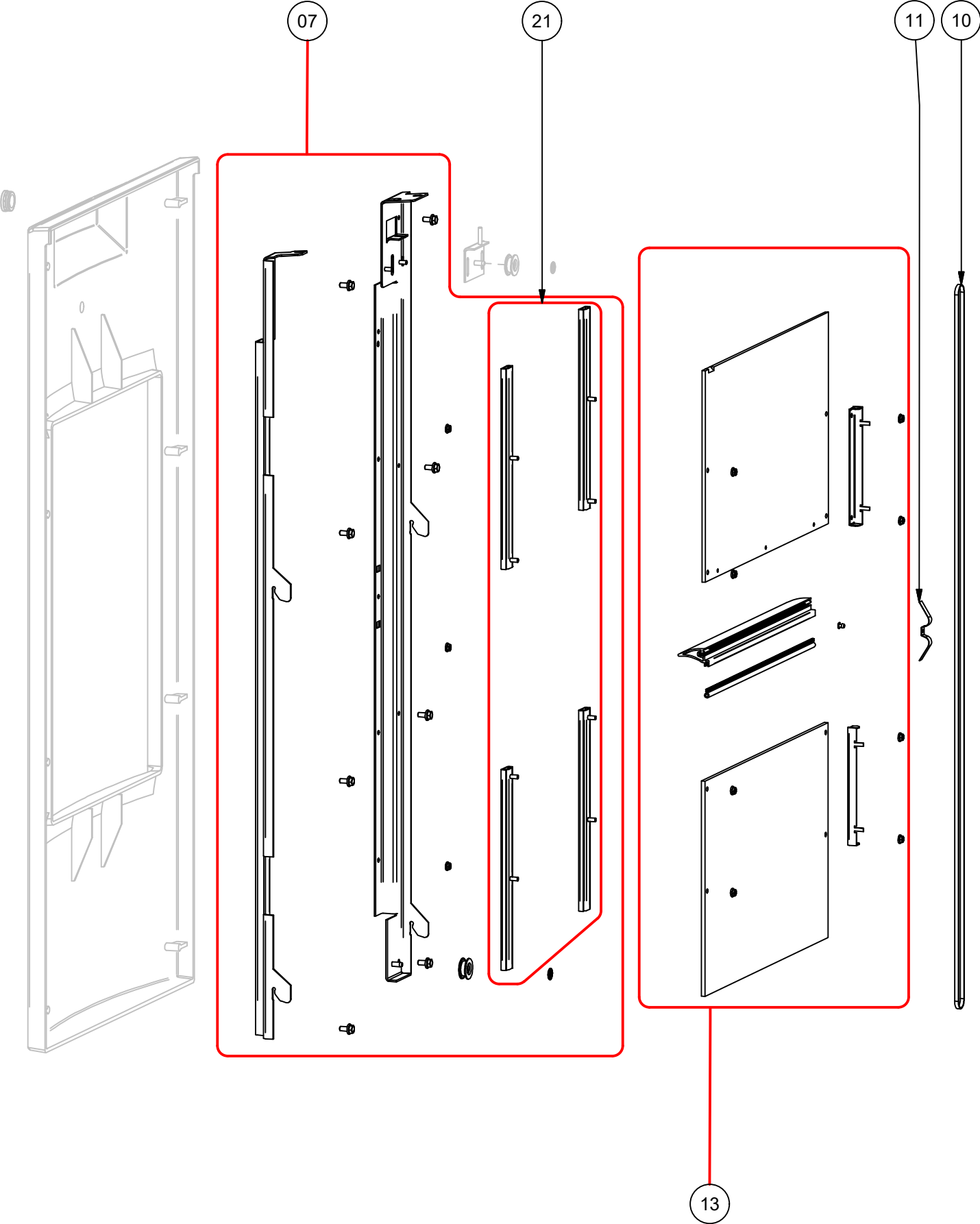
# 6101 Frames



# 6101 Frames

PARTS LIST			
ITEM	SPARE PART NUMBER	DESCRIPTION	REMARKS
01		Clamping frame	Page 6120
02		Outer frame	Page 6110
03		Motor frame	Page 6130
04		Power unit	Page 6140

# 6102 Door

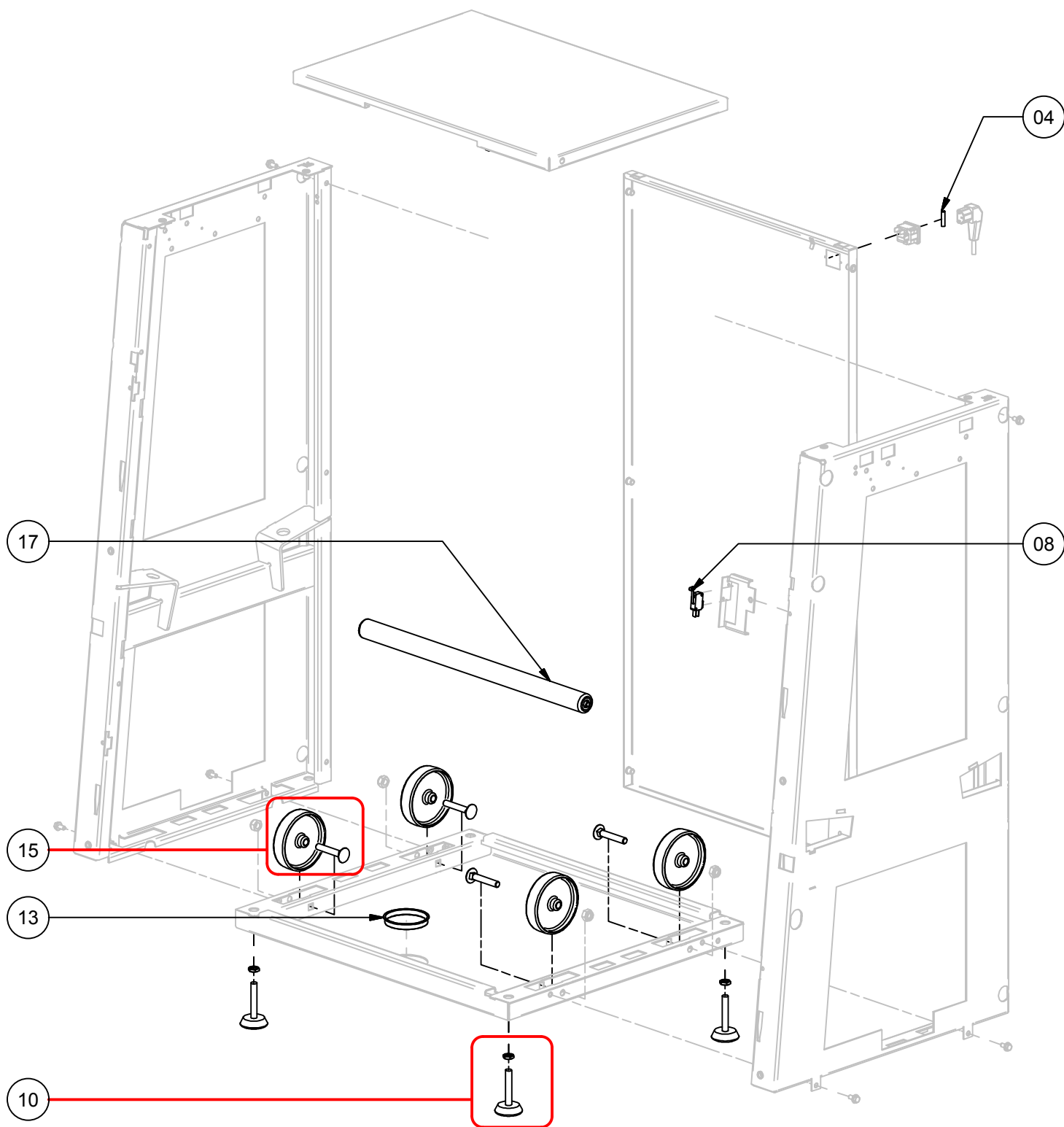


# 6102 Door

PARTS LIST			
ITEM	SPARE PART NUMBER	DESCRIPTION	REMARKS
07	1809990-SP	Guiding,door,set,S0/SK	
10	1810429-SP	Belt,door,S0/SK	
11	1811350-SP	Spring,leaf,door,S0/SK	
13	1819016-SP	Door>window,assy,S0/SK	
21	1865768-SP	Door,slide,S0/SK, 4 pcs	



# 6110 Outer frame

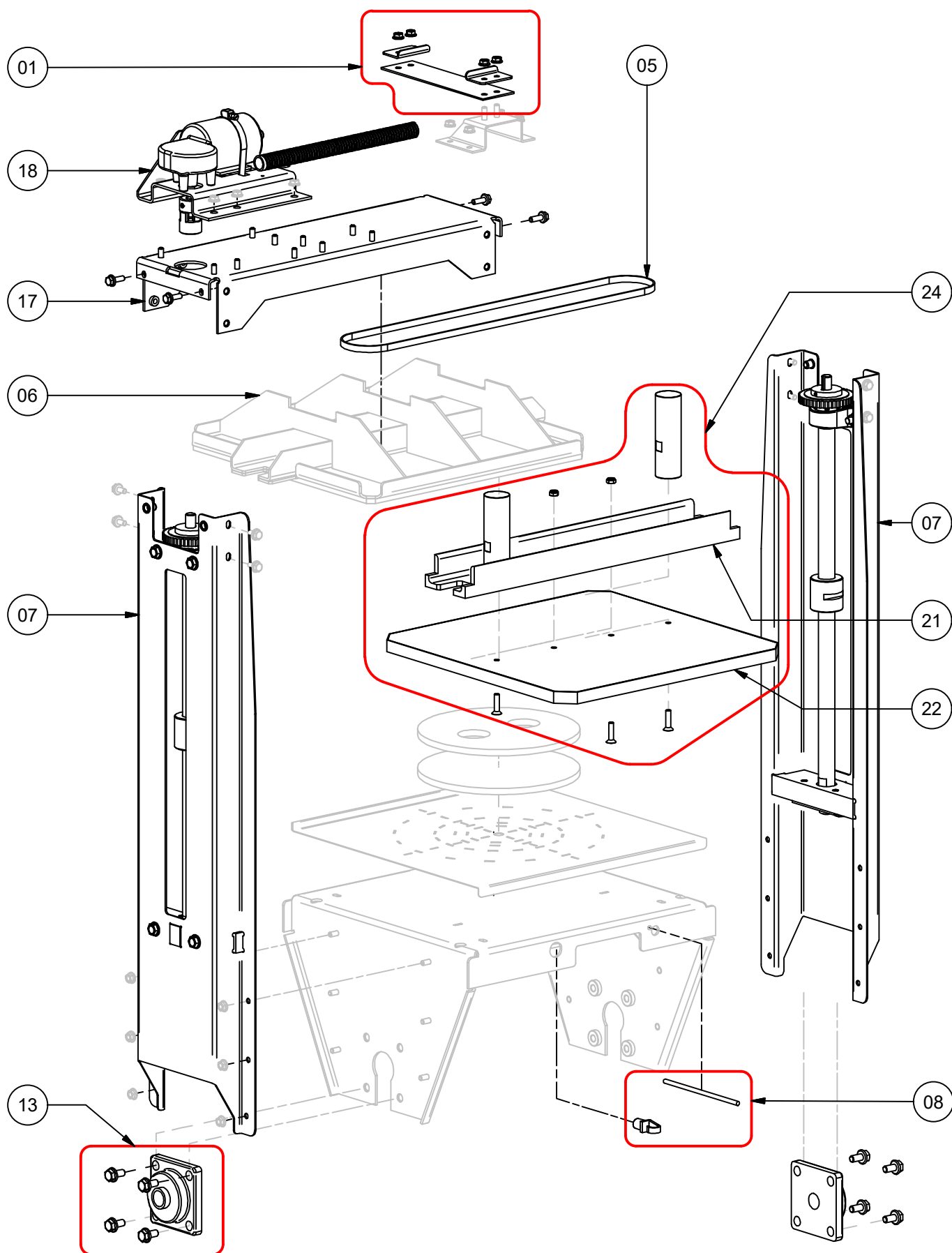


# 6110

## Outer frame

PARTS LIST			
ITEM	SPARE PART NUMBER	DESCRIPTION	REMARKS
04	1602782-SP	Fuse,10A,set,10pcs	
08	1160200-SP	Switch,micro,V-166-105(R)	
10	1862594-SP	Foot,plastic,M10x60(set 4 pcs)	
13	1110430-SP	Cap,white,f70mm,10pcs.	
15	1860277-SP	Wheel,nylon+bolt's&nut's,4pcs	
17	1864248-SP	Roller, adjustable,SK	

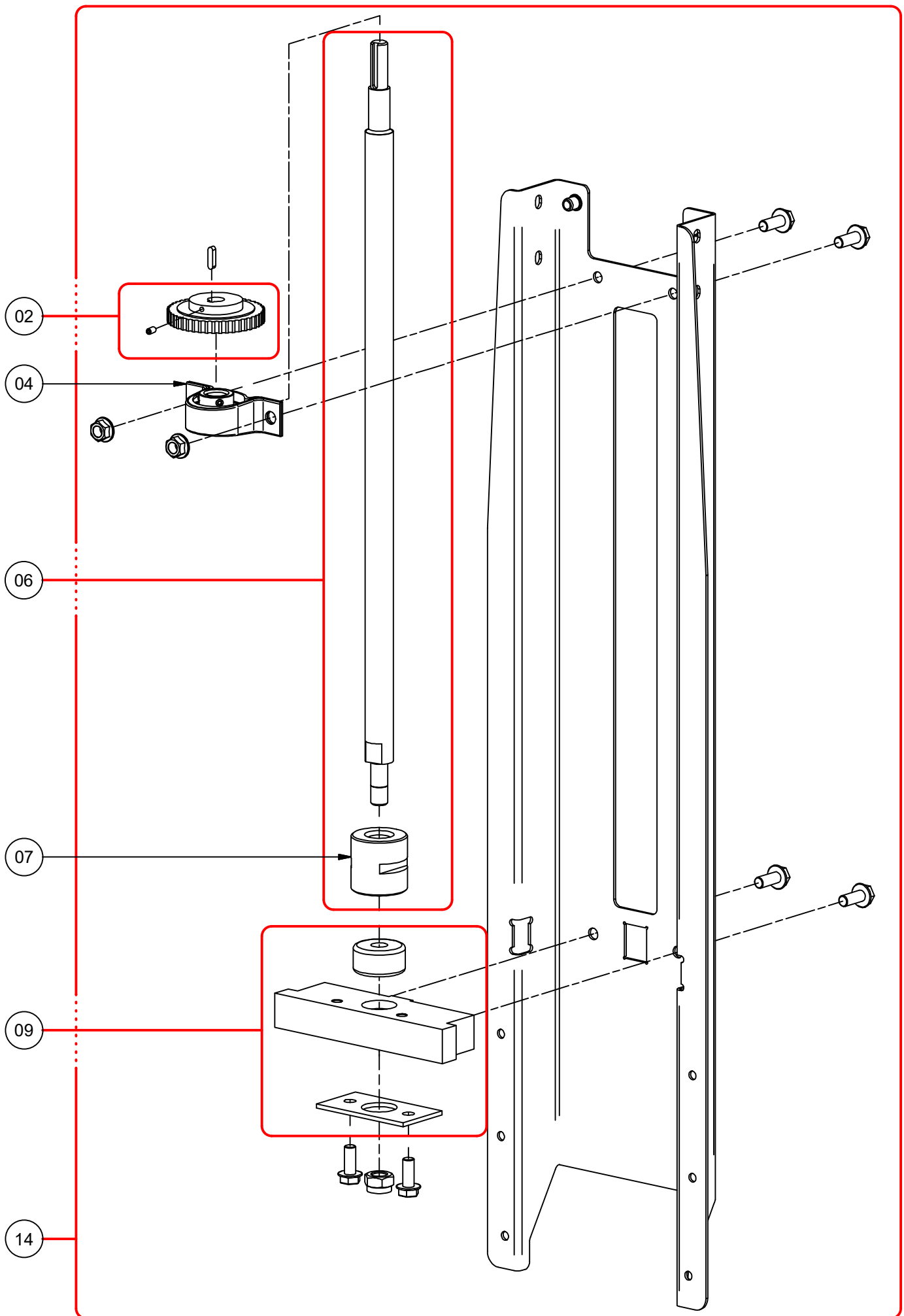
# 6120 Clamping frame



# 6120 Clamping frame

PARTS LIST			
ITEM	SPARE PART NUMBER	DESCRIPTION	REMARKS
01	1810488-SP	Leafspring,set,S0/SK	
05	1862173-SP	V-belt,clamp,S0/SK	
06	see 1820027-SP	Upper plate vulcanized,SK300	Obsolete
07	1862506-SP	Spindle,assy,S0/SK (2pcs)	Page 6121
08	1862518-SP	Hook,assy,S0/SK,set 10pcs	
13	1862580-SP	Bearing,UCF+bolt's,set2pcs.	
14	5109020-SP	Disc,foam,set(f170mm)	
17	1810315-SP	Plate,motor,clamp,S0/SK	
18		Clamping motor	Page 6122
21	1809674-SP	Profile,plate,clamp,S0/SK	
22	1815253-SP	Top plate with rubber	
24	1820027-SP	Upper clamp plate,alum,compl	

# 6121 Spindle assy

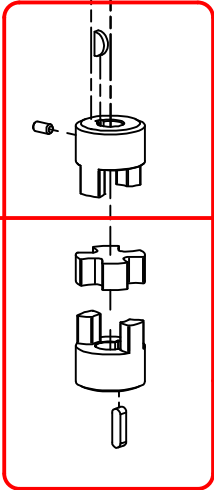
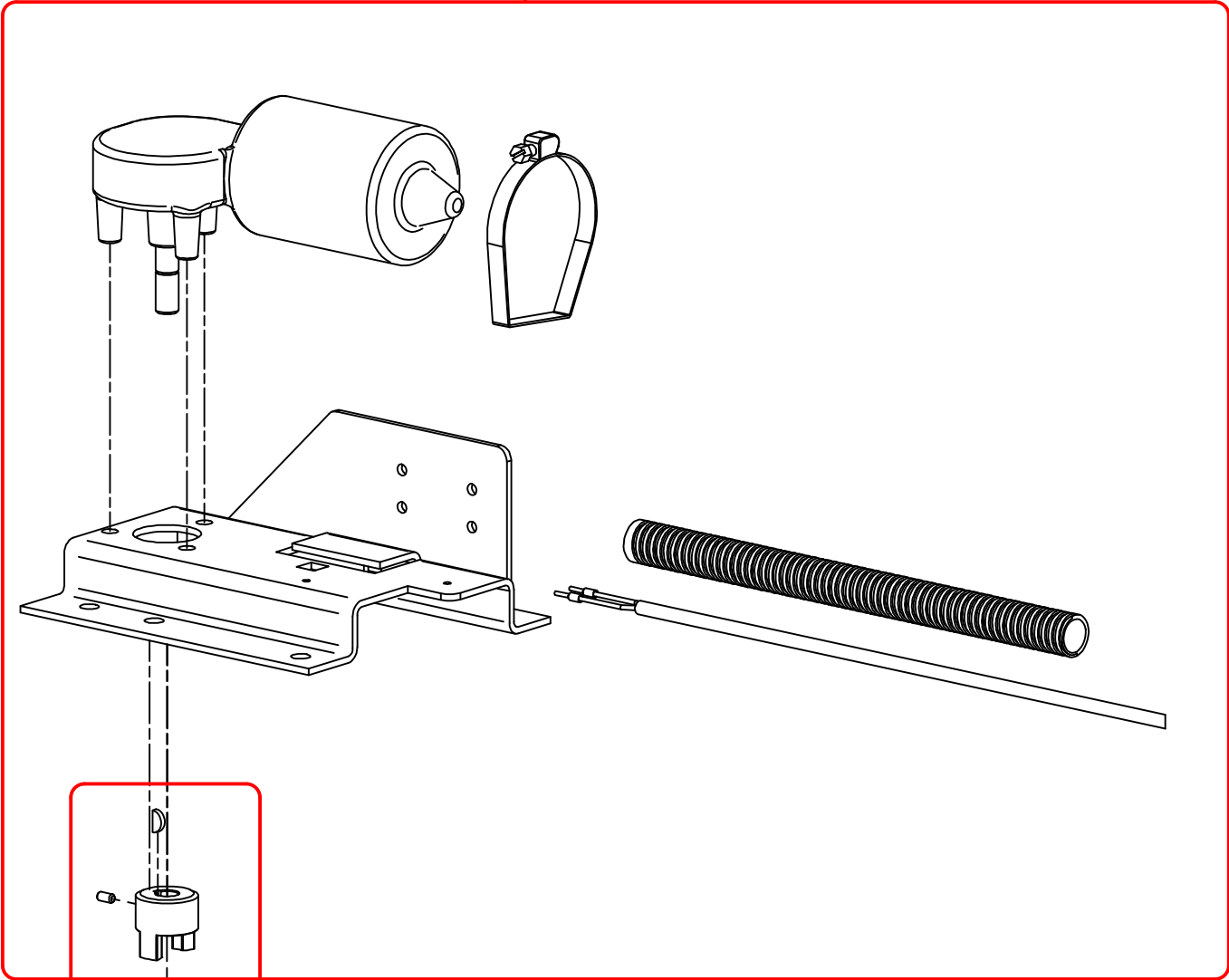


# 6121 Spindle assy

PARTS LIST			
ITEM	SPARE PART NUMBER	DESCRIPTION	REMARKS
02	1809678-SP	Pulley,spindle,clamp,S0/SK	
04	1862167-SP	Bearing,PBY15,2pcs,S0/SK	
06	1809679-SP	Spindle+nut,assy,S0/SK (2pcs)	
09	1809654-SP	Bearing,set,2pcs,S0/Sk	
14	1862506-SP	Spindle,assy,S0/SK (2pcs)	

# 6122 Clamping motor 1864796

12



13

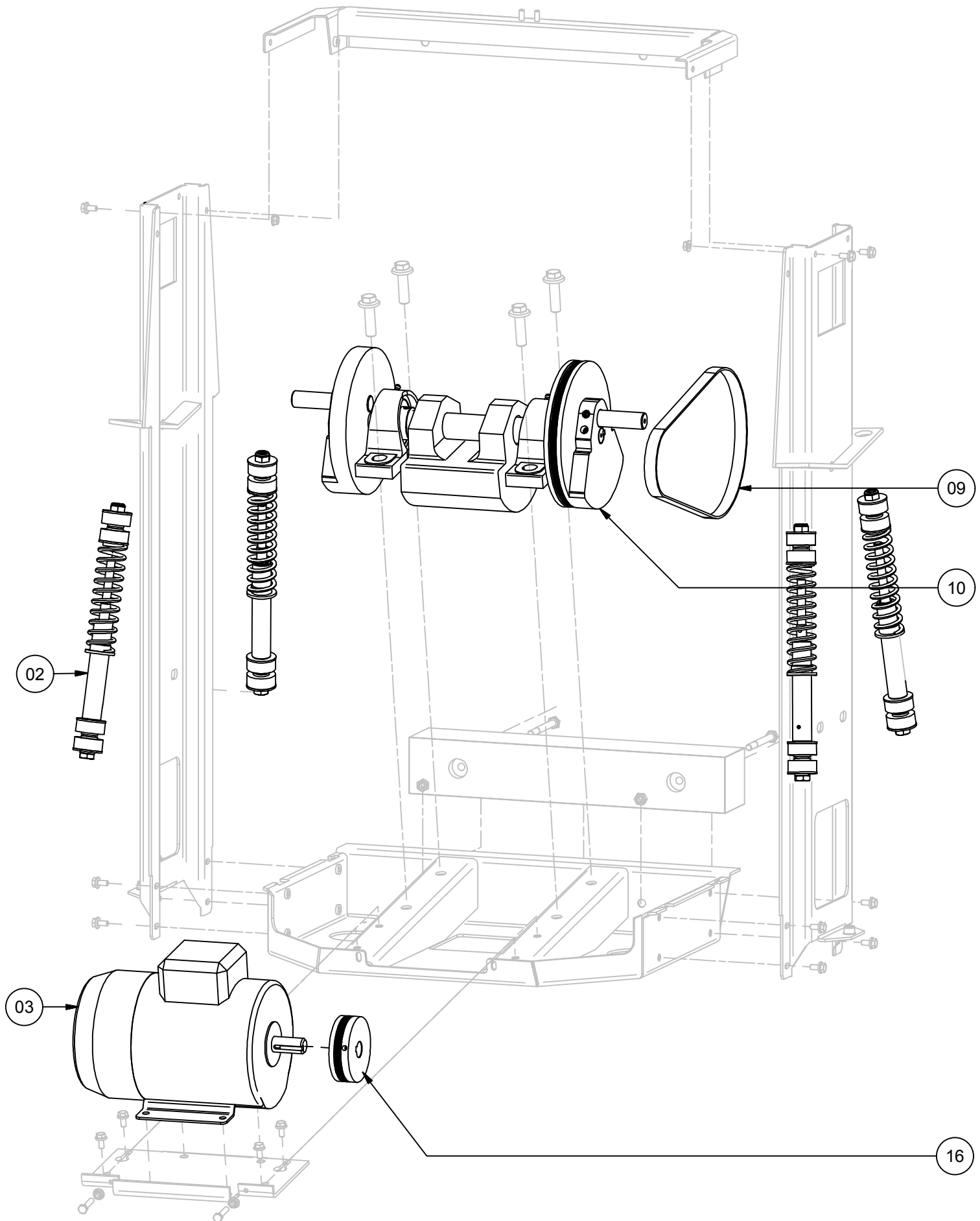
# 6122 Clamping motor 1864796

PARTS LIST			
ITEM	SPARE PART NUMBER	DESCRIPTION	REMARKS
12	1864796-SP	Clamp,motor,assy,SK350	
13	1864220-SP	Coupling,buffer set S0/SK	



# 6130

## Motor frame

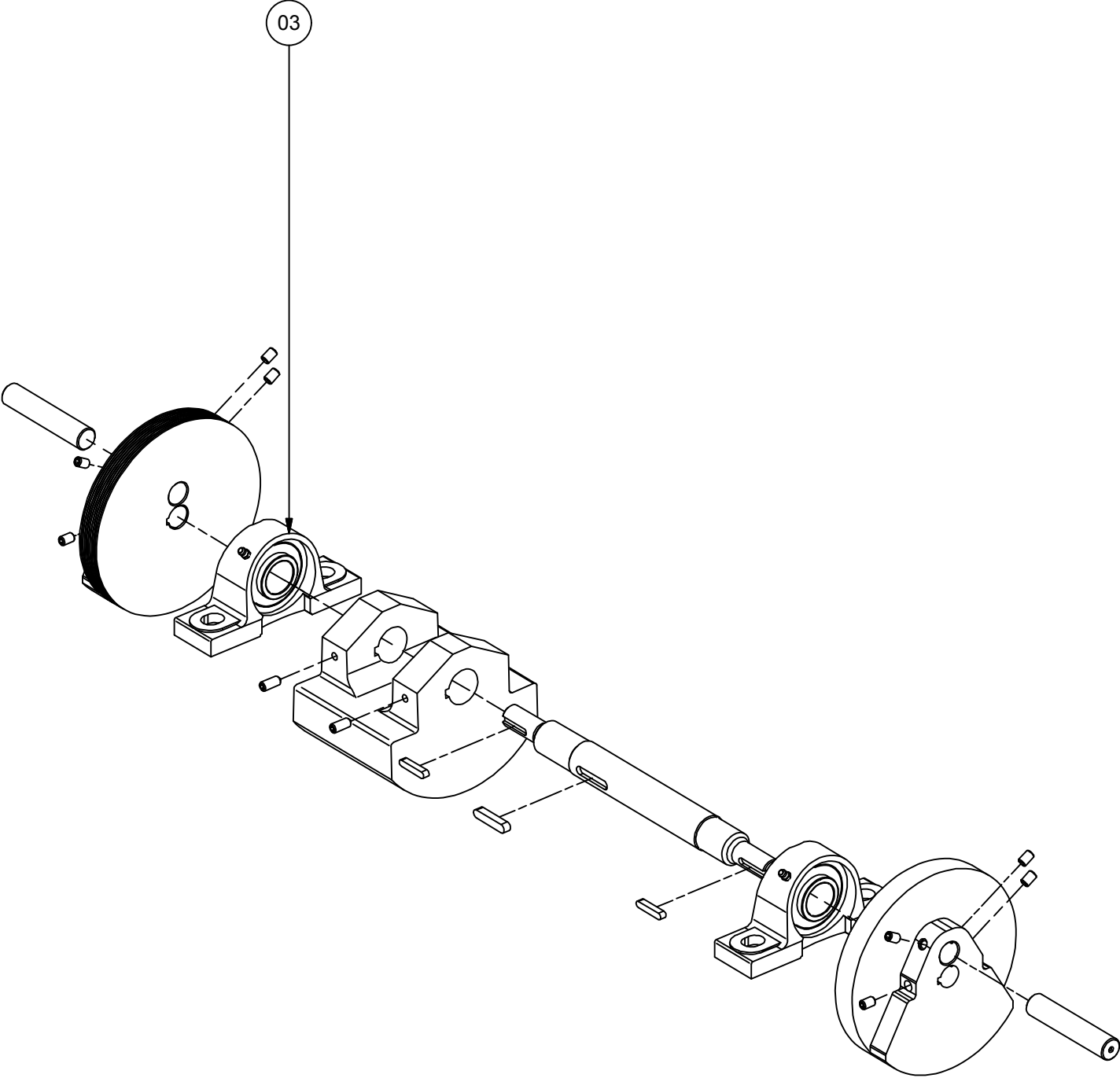


# 6130

## Motor frame

PARTS LIST			
ITEM	SPARE PART NUMBER	DESCRIPTION	REMARKS
02	1864139-SP	Super-strut,SK350/450/550,4pcs	Page 6132
03	1864240-SP	Motor,shake,Wonder,0.75kW	
09	1864239-SP	V-belt,shakemotor	
10	1809465-SP	Crank,assy,S0/SK	Page 6131
16	1864230-SP	Pulley,D82,680rpm,SK280/350	

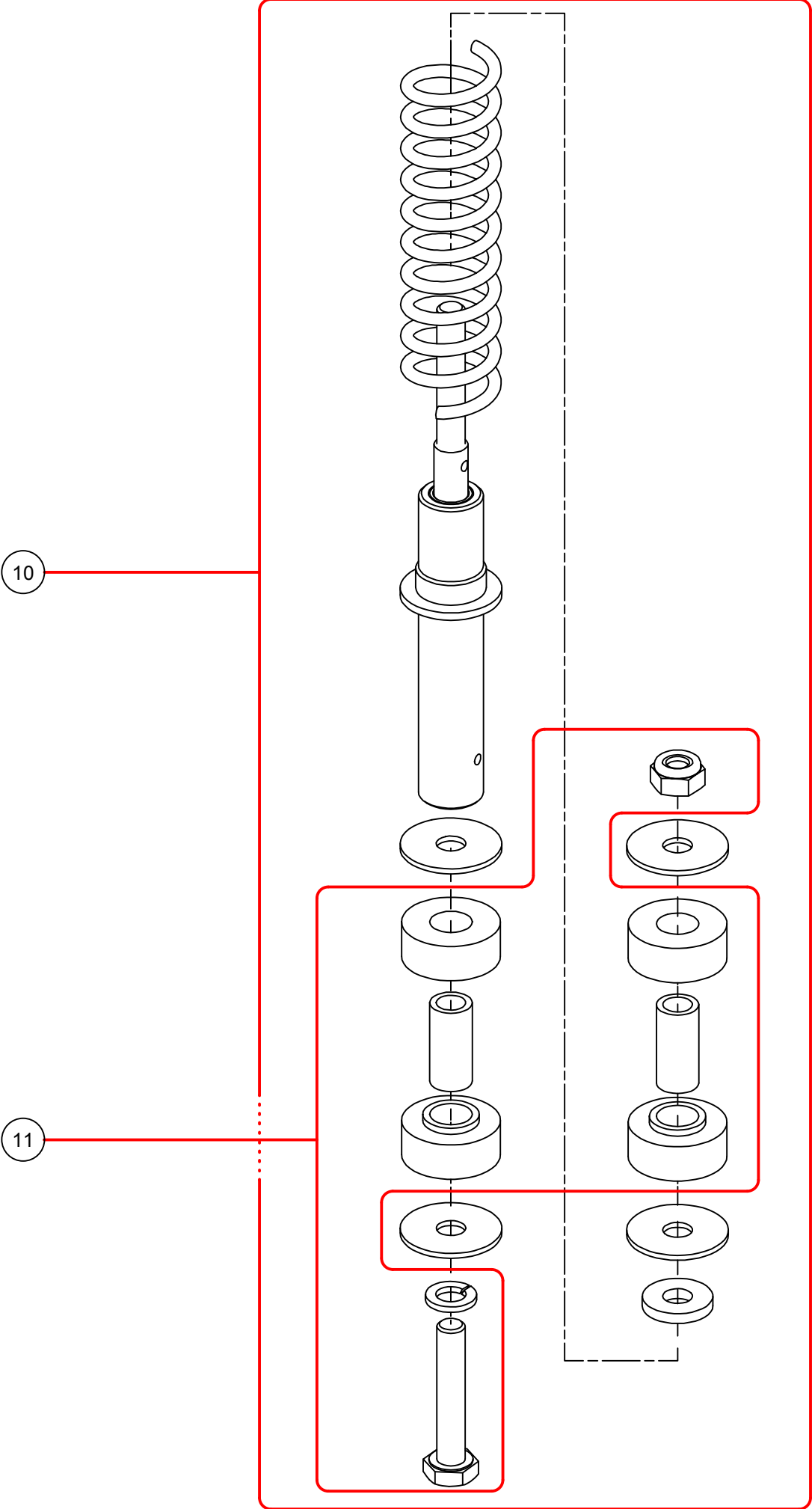
# 6131 Crank



# 6131 Crank

PARTS LIST			
ITEM	SPARE PART NUMBER	DESCRIPTION	REMARKS
03	1864088-SP	Bearing, RASEY30 JIS	

# 6132 Super-strut

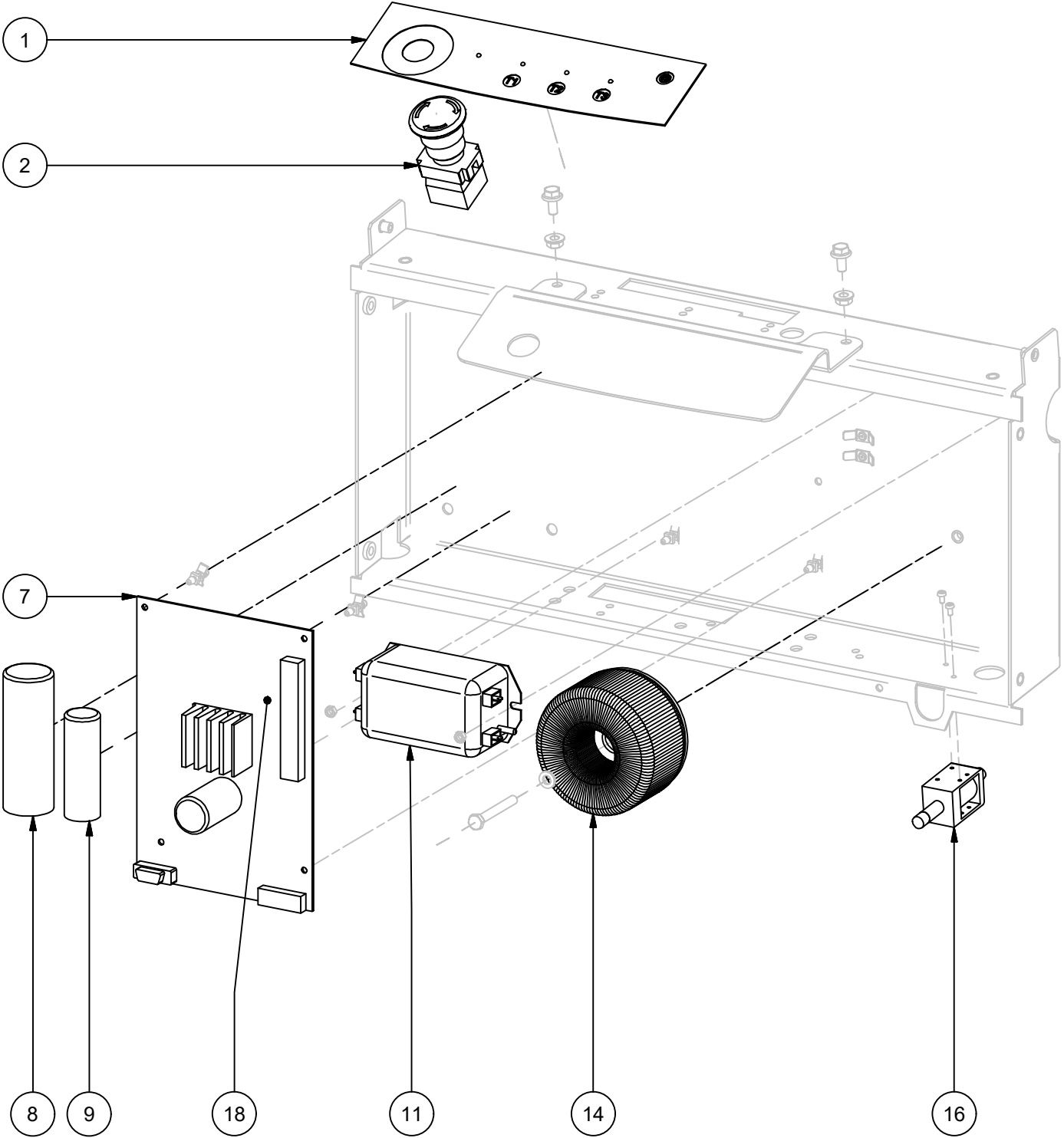


# 6132 Super-strut

PARTS LIST			
ITEM	SPARE PART NUMBER	DESCRIPTION	REMARKS
10	1864139-SP	Super-strut,SK350/450/550,4pcs	
11	1864025-SP	Strut,spacer&grommet,kit(4pcs)	

# 6140 Power unit

Up to Production wk 49 2020



# 6140 Power unit

## Up to Production wk 49 2020

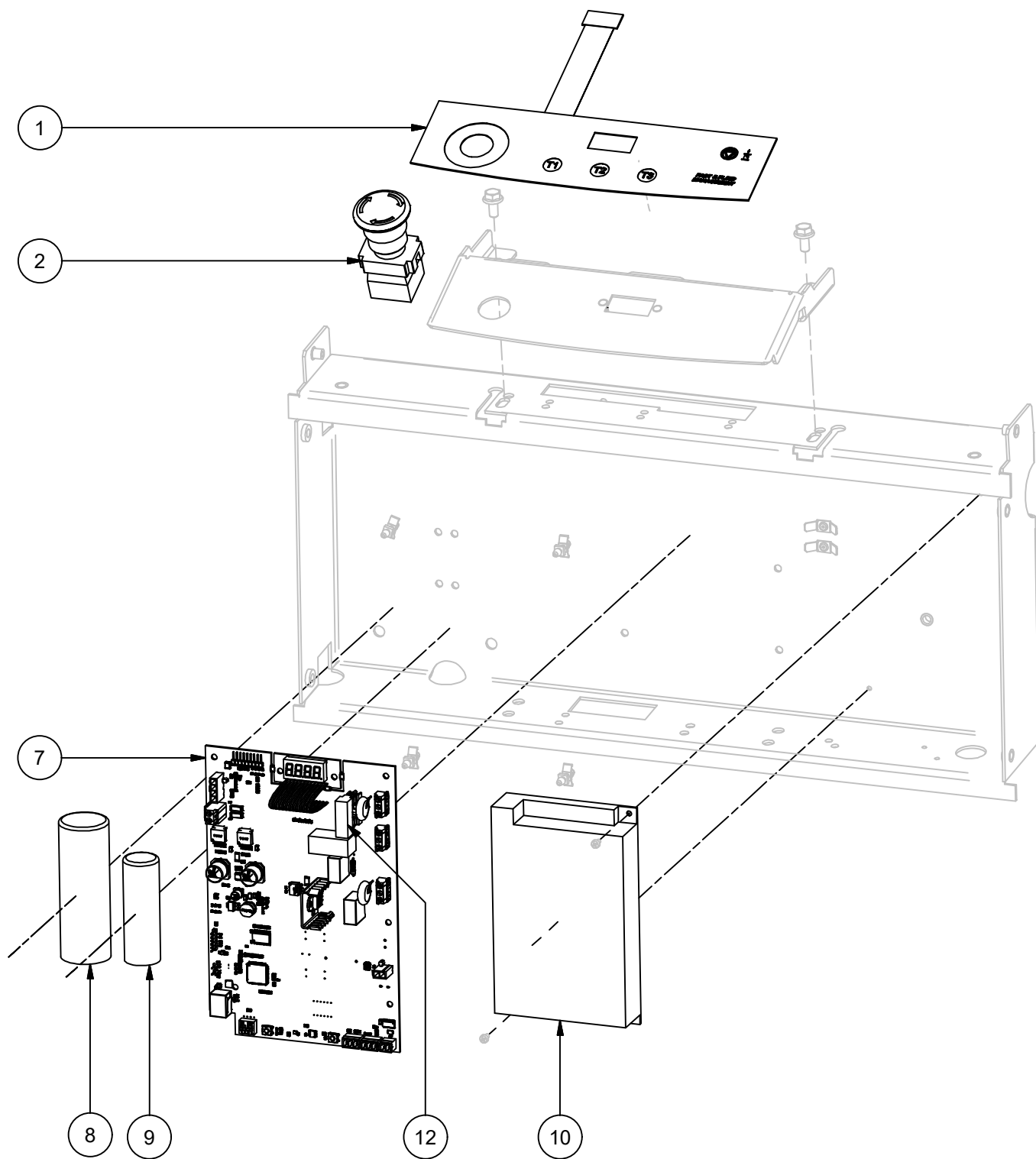
PARTS LIST			
ITEM	SPARE PART NUMBER	DESCRIPTION	REMARKS
1	1864116-SP	Keyboard,SK350	
2	1864094-SP	Emergency,switch,complete	
7	1814370-SP	Powerboard,SK280/SK350	
8	1864493-SP	Starting Capacitor For Wonder	
9	1864485-SP	Running Capacitor Wonder Motor	
11	1864465-SP	Filter,SK,6A,low earth leakage	
14	1864093-SP	Transformer,90VA, 220-18V	
16	1860672-SP	Solenoid	



# 6140-A

## Power unit

From serial: 94116F Prod.wk: 49-2020



# 6140-A

## Power unit

From serial: 94116F Prod.wk: 49-2020

PARTS LIST			
ITEM	SPARE PART NUMBER	DESCRIPTION	REMARKS
1	1819846-SP	Keyboard Foil, SK	
2	1864094-SP	Emergency,switch,complete	
7	1865843-SP	Powerboard,SK300-350 V3 FULL	SP for Psupply and Transformer type
8	1864493-SP	Starting Capacitor For Wonder	
9	1864485-SP	Running Capacitor Wonder Motor	
10	1819856-SP	Powersupply LRS-150	
12	1865760-SP	Fuse,2AT,250V,5x20mm,set10pcs	