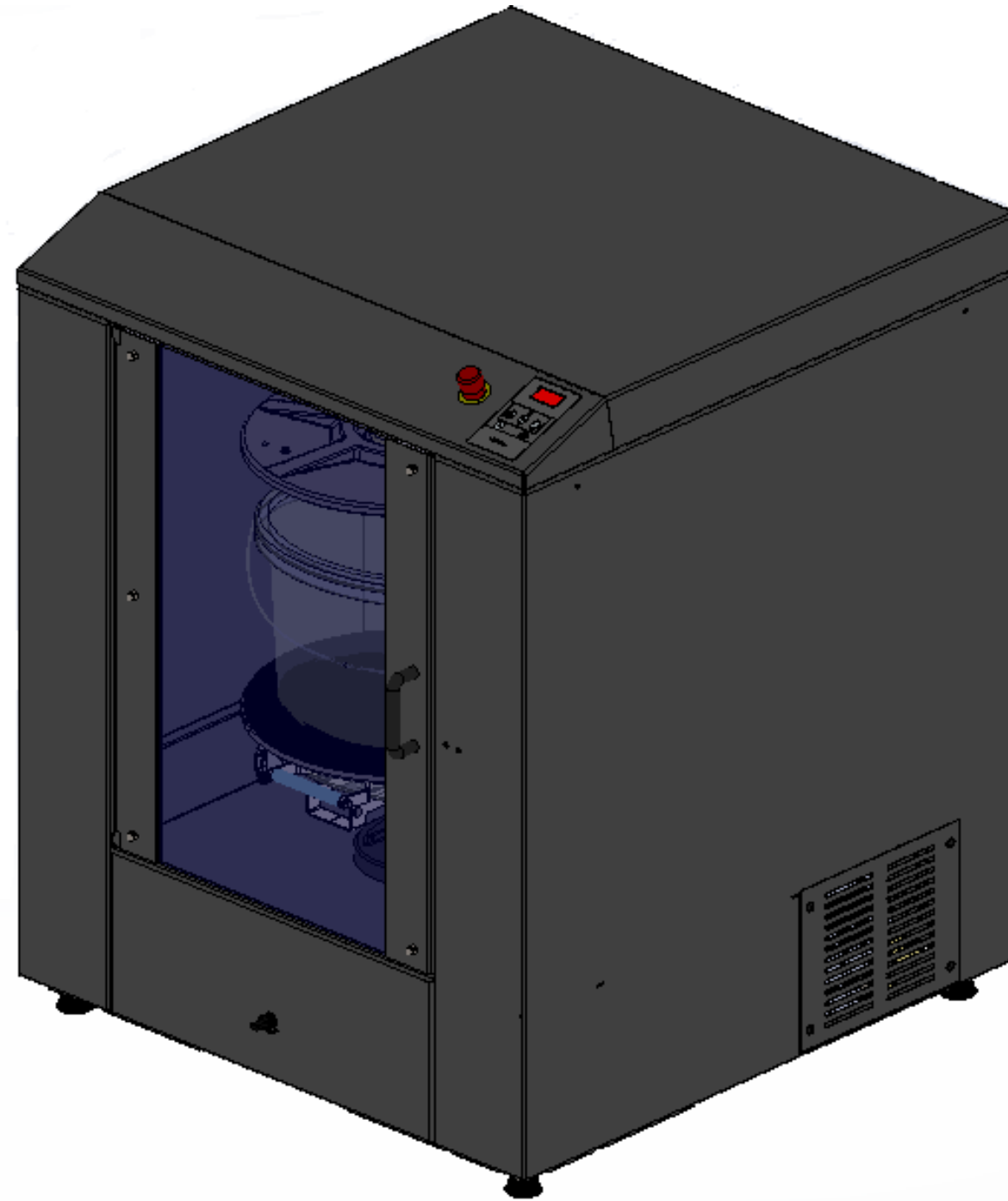


SPARE PARTS BOOK

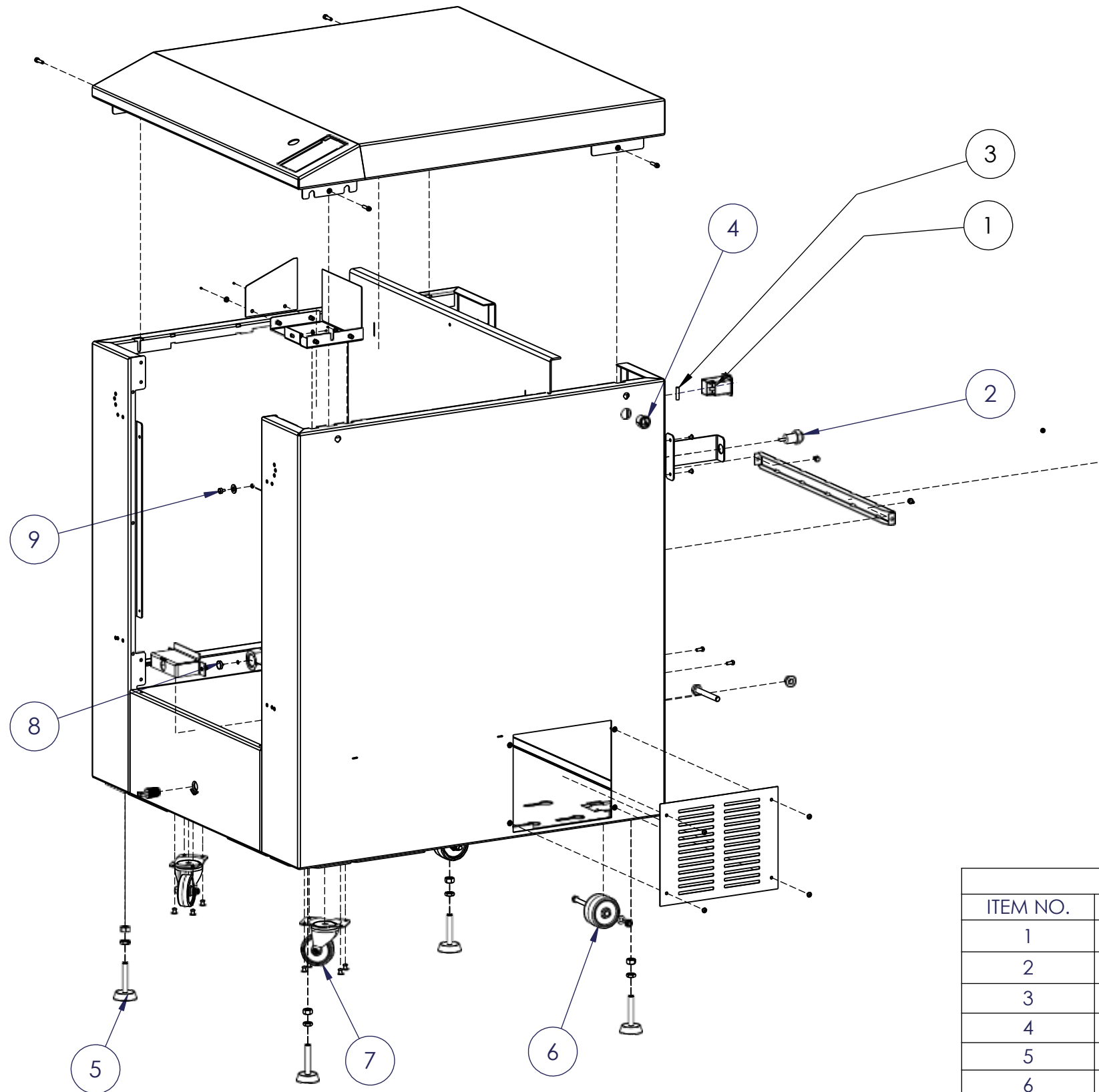
GX300



INDEX

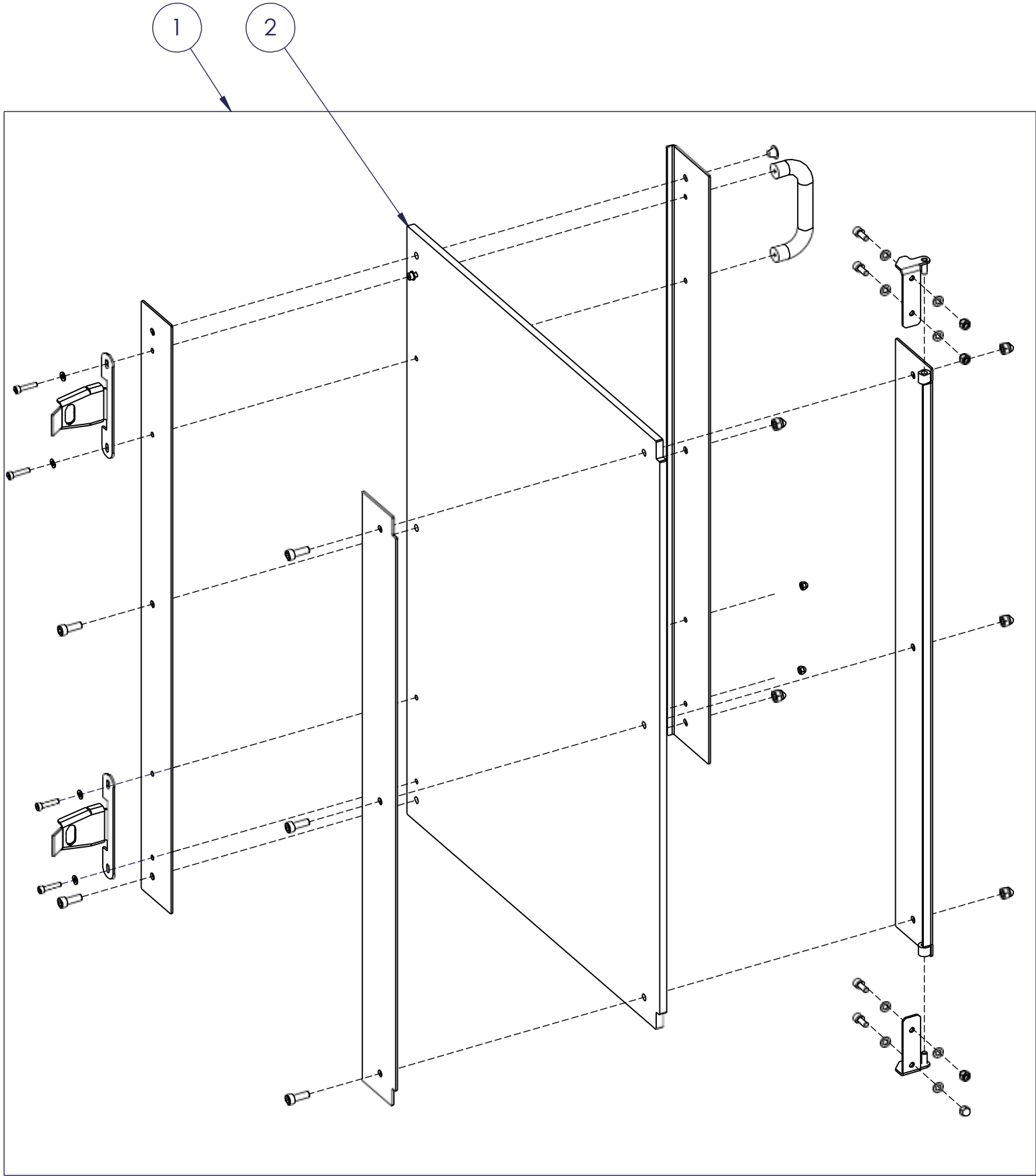
GX300	7700
Frame assembly.....	7701
Door assembly - Left.....	7702-A
Door assembly - Right.....	7702-B
Door assembly - Left.....	7702-C
Door assembly - Right.....	7702-D
Display assembly	7603
Sliding door - Right	7704-A
Sliding door - Left.....	7704-B
Cradle and Spindle housing	7710
Top jaw assembly	7711
Automatic clamping assembly.....	7712
Extractable jaw assembly	7713
Guide bar assembly	7714
Spindle housing assembly	7715
Electronic plate assembly.....	7730
Cradle pulley assembly	7740
Door locking assembly - Left.....	7750-A
Door locking assembly - Right	7750-B

7701 Frame assembly



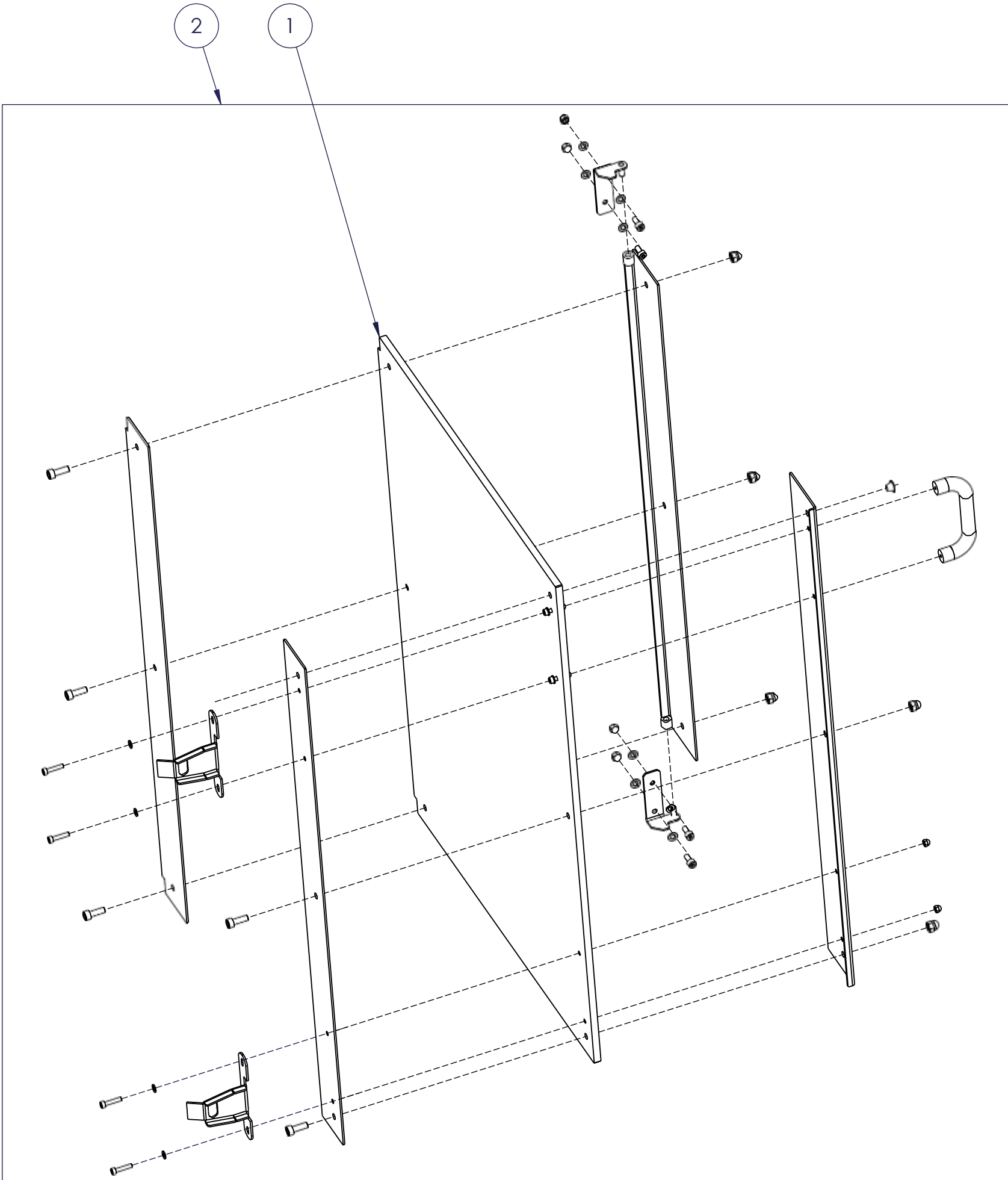
PARTS LIST				
ITEM NO.	PARTNUMBER	DESCRIPTION	REMARKS	QTY.
1	1864618-SP	NET ENTRY		1
2	1817943-SP	SENSOR CRADLE HOME		1
3	1602782-SP	FUSE 5X20 T10A		10
4	1818182-SP	SWITCH, ON-OFF, ROUND ROCKER		1
5	1862594-SP	FOOT,PLASTIC,M10X60	SPB V3.0	1
6	100241-SP	WHEEL FIXED	SPB V3.0	2
7	1819216-SP	WHEEL SWIVELLING	SPB V3.0	2
8	A101874-SP	DOOR MAGNET	SPB V3.0	1
9	A101445-SP	DOOR MAGNET SMALL	SPB V3.0	1

7702-A - DOOR ASSEMBLY LEFT



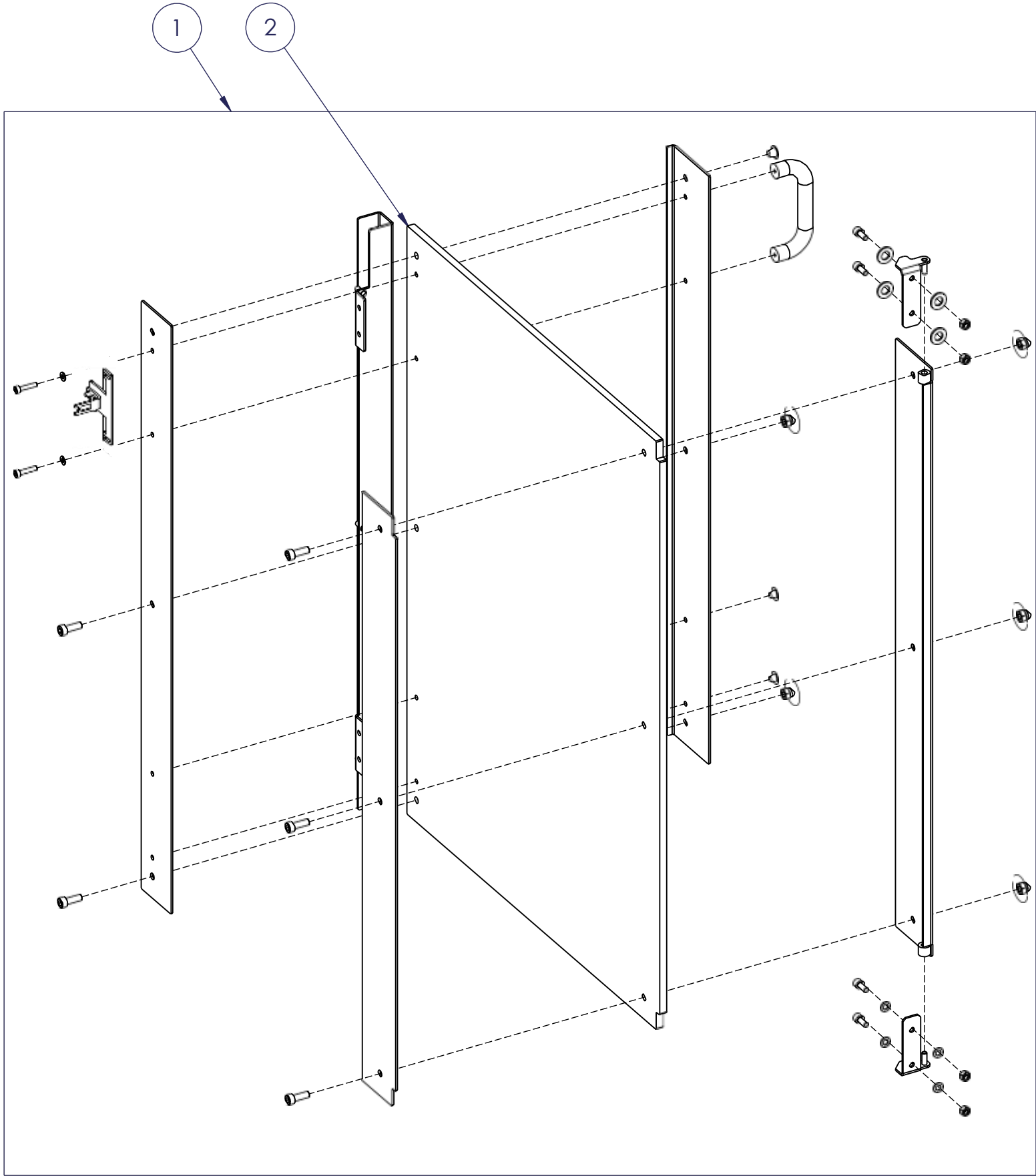
PARTS LIST				
ITEM NO.	PART NUMBER	DESCRIPTION	REMARKS	QTY.
1	100218-SP	FRONT DOOR ASSEMBLY - LEFT	SPB 3.0	1
2	100222-SP	FRONT DOOR POLYCARBONATE		1

7702-B DOOR ASSEMBLY RIGHT



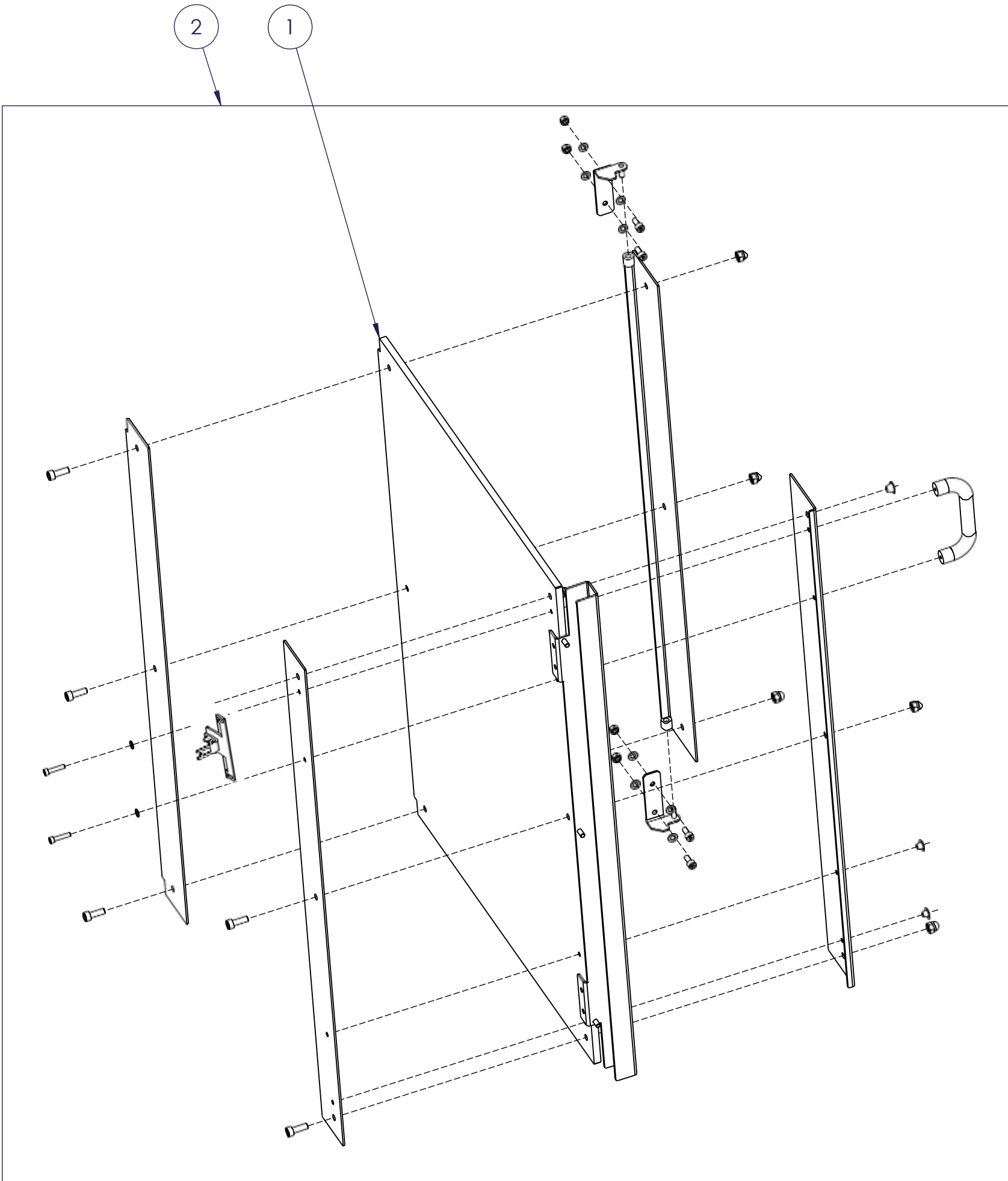
PARTS LIST				
ITEM NO.	PART NUMBER	DESCRIPTION	REMARKS	QTY.
1	100222-SP	FRONT DOOR POLYCARBONATE		1
2	100224-SP	FRONT DOOR ASSEMBLY - RIGHT	SPB V3.0	1

7702-C Door seembly- Left (Swapping door Omron/Euchner lock)



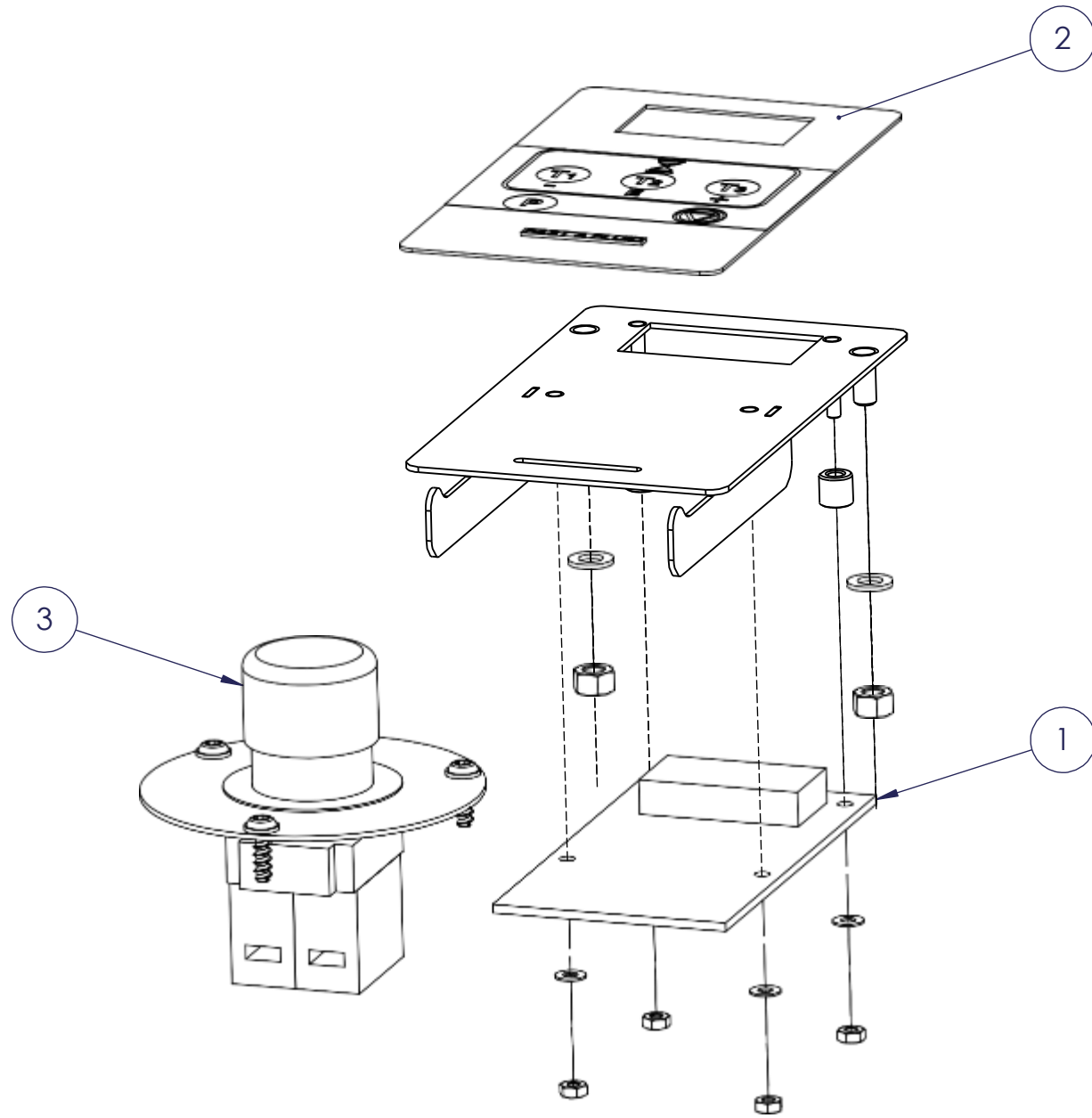
PARTS LIST				
ITEM NO.	PART NUMBER	DESCRIPTION	REMARKS	QTY.
1	FM300050-SP	FRONT DOOR ASSY-L	PB V5.0, FROM SN 3003624F	1
1	100219-SP	FRONT DOOR ASSEMBLY - LEFT	PB V4.0	1
2	100222-SP	FRONT DOOR POLYCARBONATE		1

7702-D Door Assembly- Right (Swapping door Omron/Euchner lock)



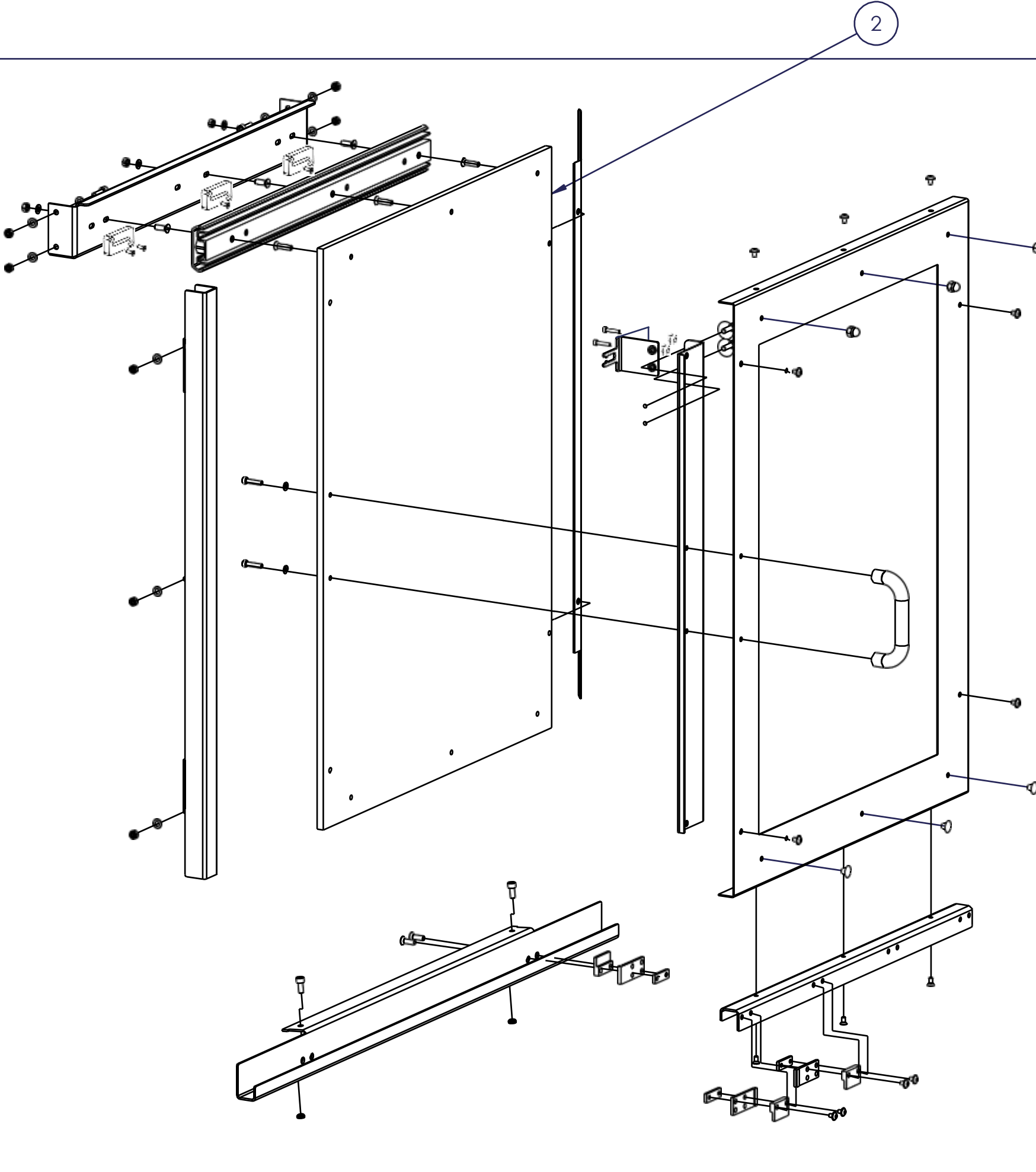
PARTS LIST				
ITEM NO.	PART NUMBER	DESCRIPTION	REMARKS	QTY.
1	100222-SP	FRONT DOOR POLYCARBONATE		1
2	100223-SP	FRONT DOOR ASSEMBLY - RIGHT	PB V4.0	1
2	FM300051-SP	FRONT DOOR ASSY-R	PB V5.0, FROM SN 3003624F	1

7703 - Display Assembly



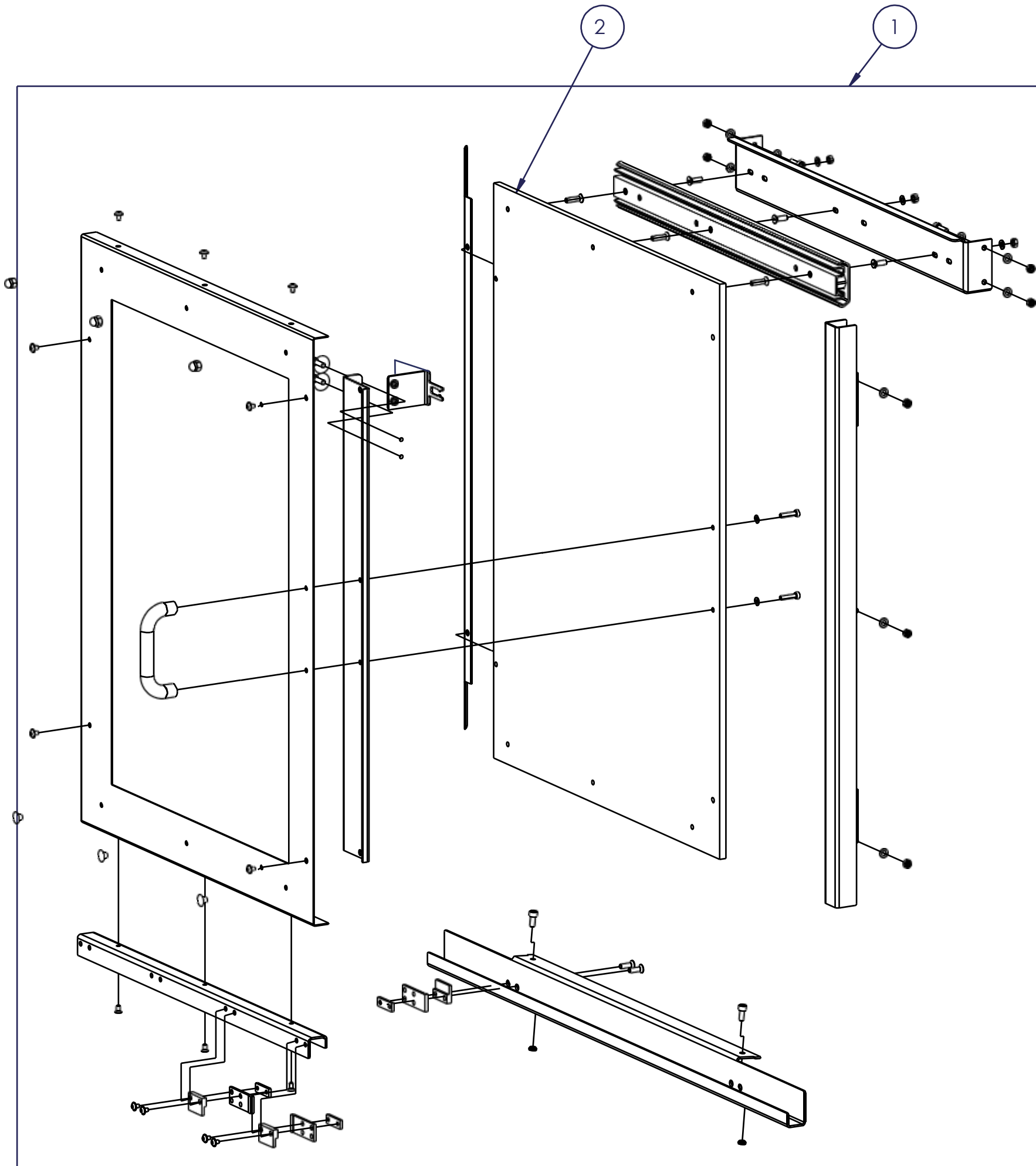
PARTS LIST				
ITEM NO.	PART NUMBER	DESCRIPTION	REMARKS	QTY.
1	1817947-SP	PCB,KEYBOARD/DISPLAY,GX300		1
2	100181-SP	GX-300, KEYBOARD, FOIL		1
3	1864094-SP	EM- SWITCH ASSEMBLY	SPB V3.0	1

7704-A Sliding door-Right AM Version(Omron/Euchner lock)



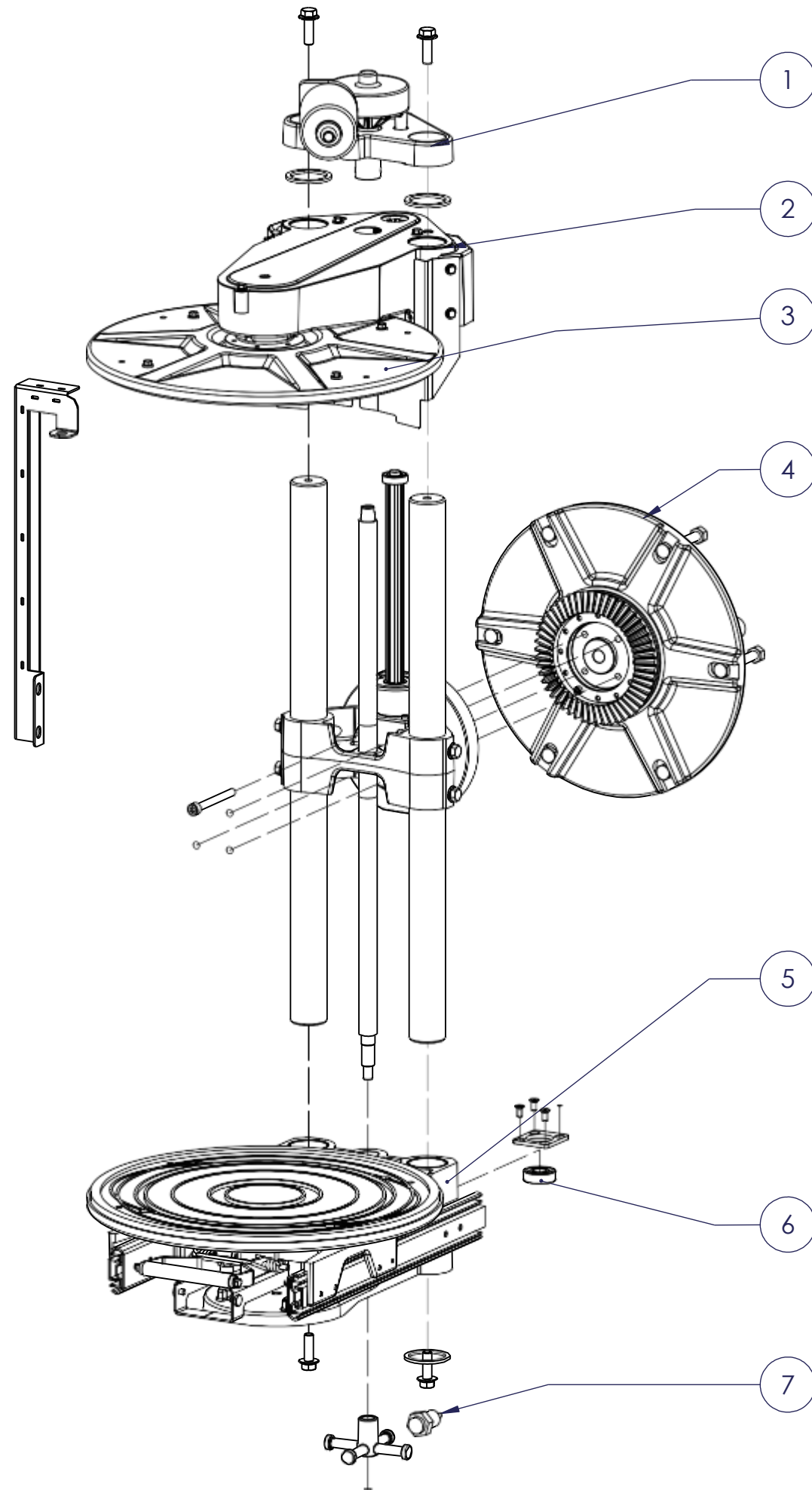
PART LIST				
ITEM NO.	PART NUMBER	DESCRIPTION	REMARK	QTY.
1	100302-SP	SLIDING DOOR ASSEMBLY - RIGHT	PB V4.0	1
1	FM300053-SP	SLIDING DOOR ASSY-R	PB V5.0, FROM SN3003624F	1
2	100307-SP	DOOR, PLEXIGLAS, 8mm		1

7704-B Sliding door-Left AM Version(Omron/Euchner)



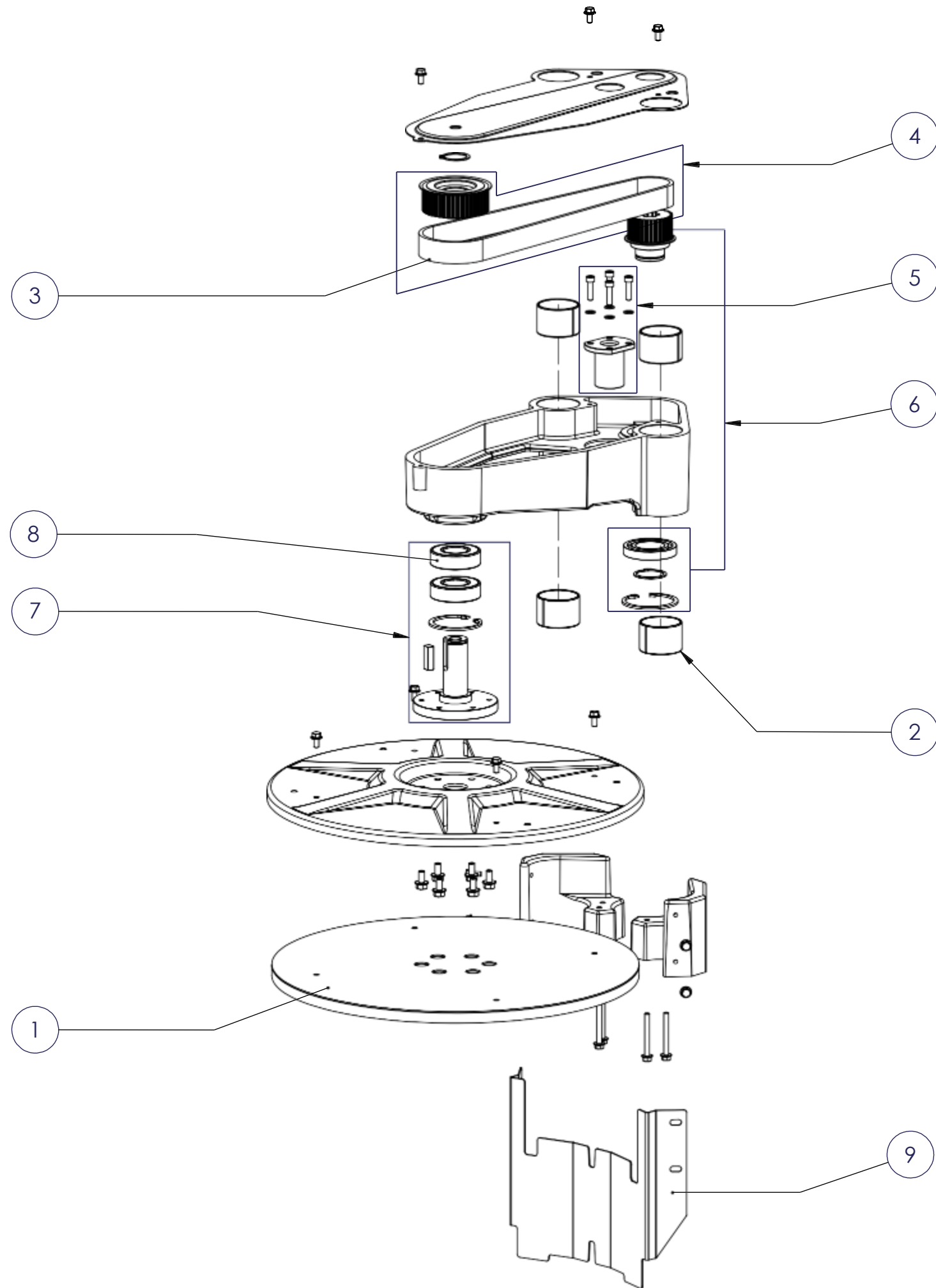
PART LIST				
ITEM NO.	PART NUMBER	DESCRIPTION	REMARK	QTY.
1	100302-SP	SLIDING DOOR ASSEMBLY - LEFT	PB V4.0	1
1	FM300052-SP	SLIDING DOOR ASSY-L	PB V5.0, FROM SN3003624F	1
2	100307-SP	DOOR, PLEXIGLAS, 8mm		1

7710 Cradle and Spindle Housing



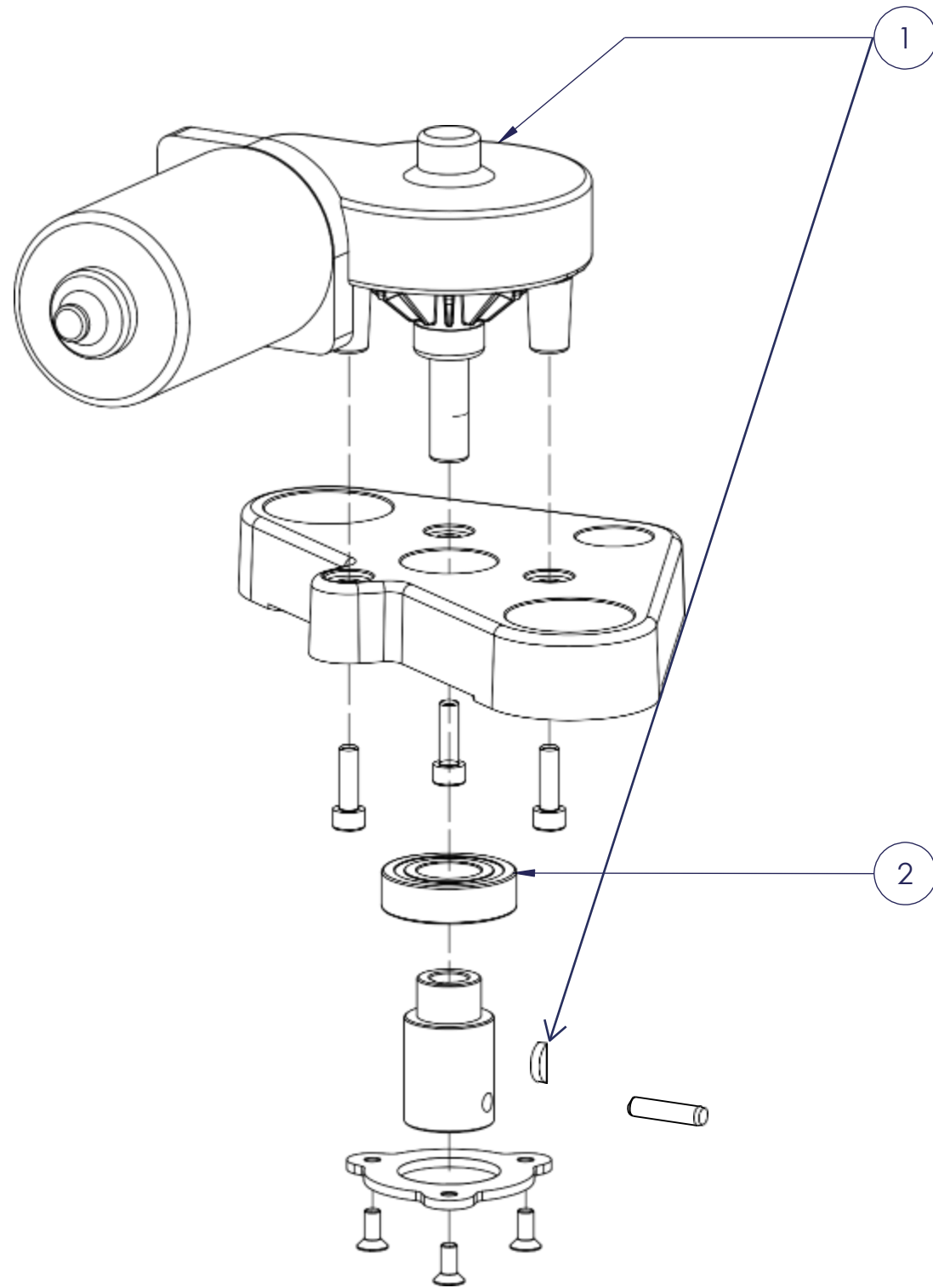
PARTS LIST				
ITEM NO.	PART NUMBER	DESCRIPTION	REMARK	QTY.
1		AUTOMATIC CLAMP ASSLY	PAGE 7712	1
2		TOP JAW ASSEMBLY	PAGE 7711	1
3		GUIDE BAR ASSLY	PAGE 7714	1
4		SPINDLE HUSING ASSLY	PAGE 7715	1
5		EXTRACTABLE JAW ASSLY	PAGE 7713	1
6	1865228-SP	BEARING		1
7	1818217-SP	SENSOR CLAMP ENCODER		1

7711 Top Jaw Assembly



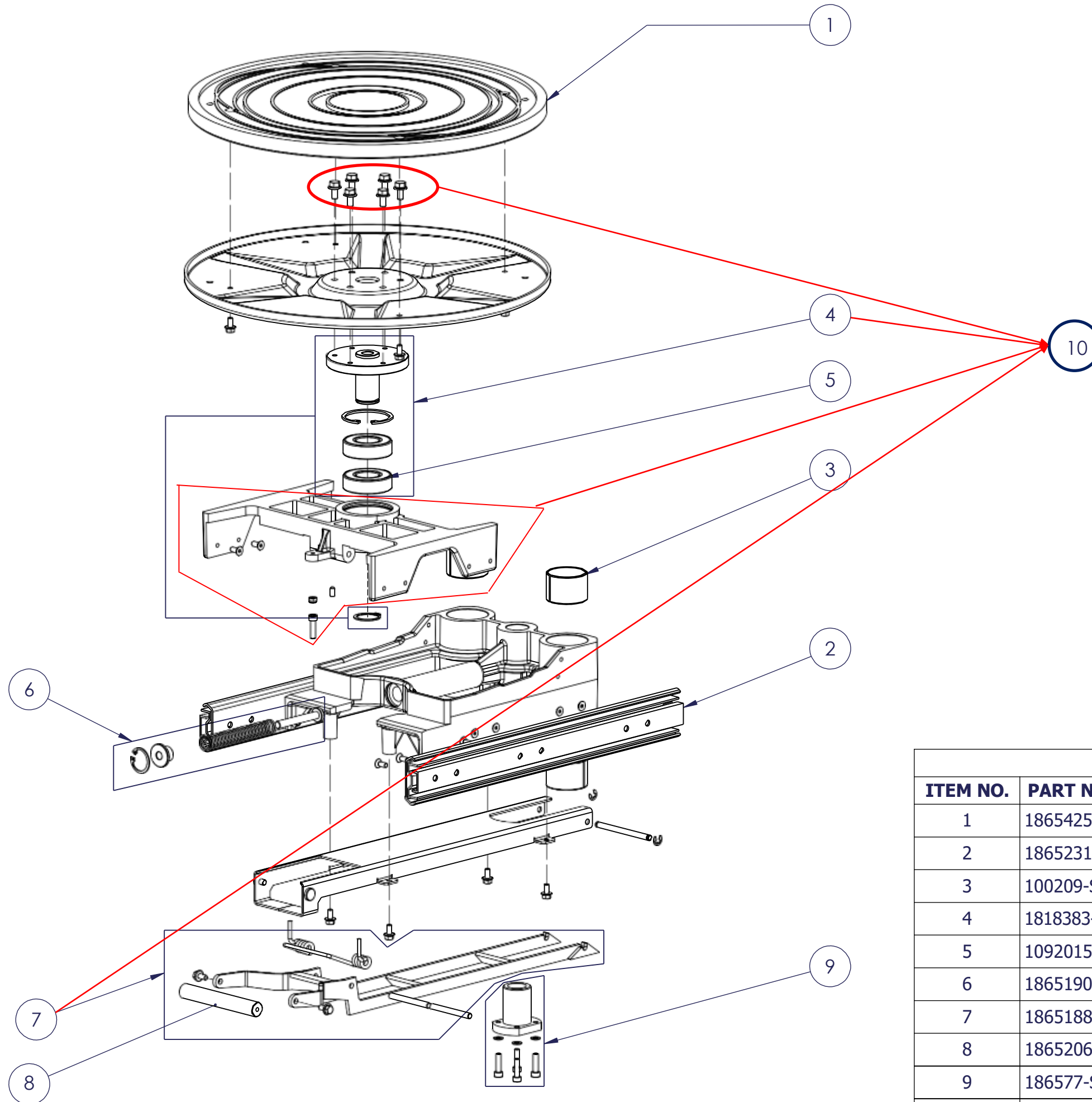
PARTS LIST				
ITEM NO.	PART NUMBER	DESCRIPTION	REMARK	QTY.
1	1865426-SP	VULCANIZED PLATE		1
2	100209-SP	BRASS BUSH		4
3	100242-SP	BELT GT2 750 5MGT 23		1
4	FM200178-SP	BELT WITH PULLEY SET		1
5	1865417-SP	LEAD SCREW NUT LH SET		1
6	100207-SP	SPINNING DRIVING PULLEY SET		1
7	1818384-SP	CLAMPING DISC SHAFT		1
8	1092015-SP	BEARING		2
9	1818294-SP	SPLASH GUARD TOP		1

7712 Automatic clamping assembly



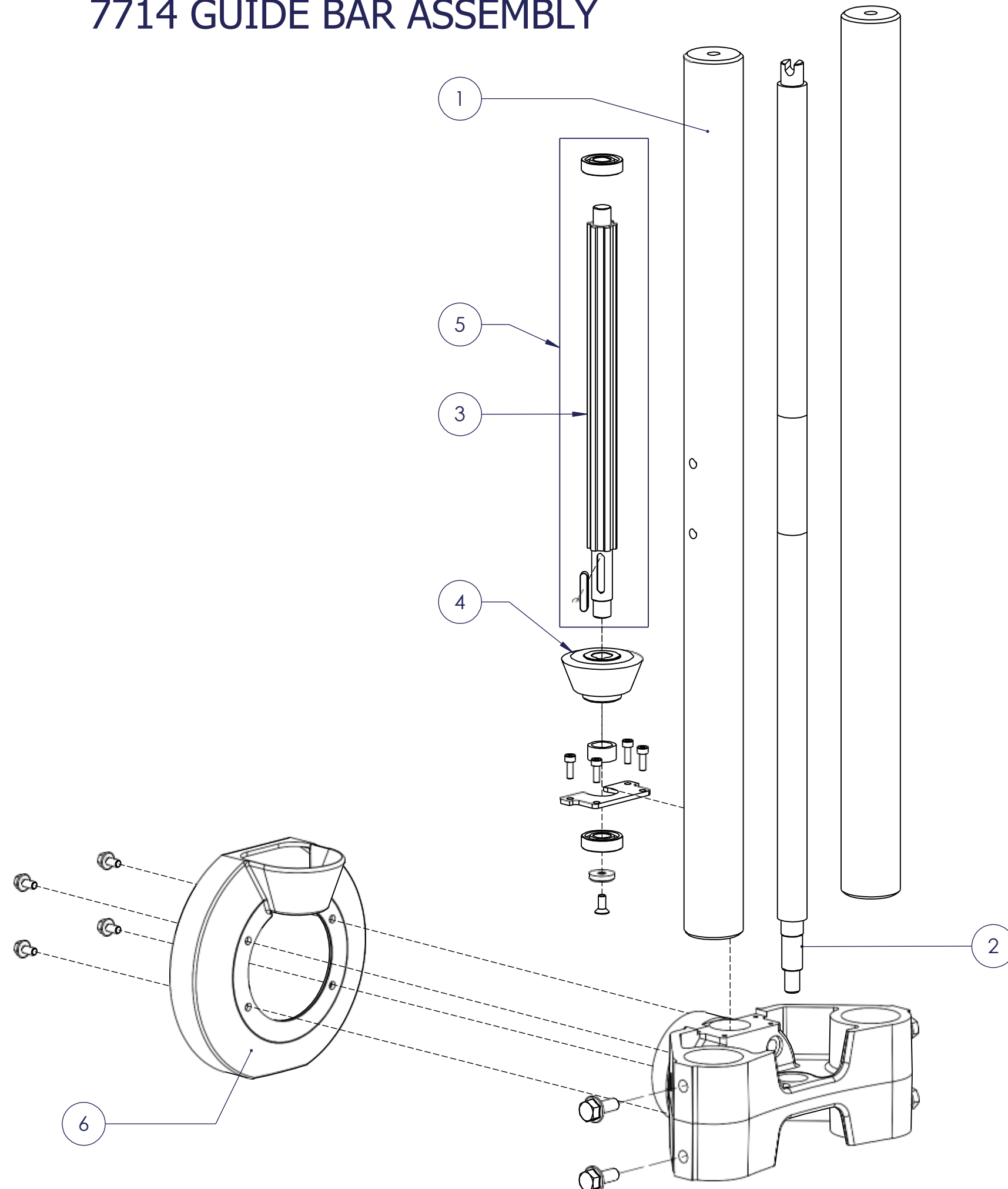
PARTS LIST				
ITEM NO.	PART NUMBER	DESCRIPTION	REMARK	QTY.
1	FM200126-SP	CLAMP MOTOR, NIDEC, 404385	SPB V3.0	1
2	1092070-SP	BEARING 6004-2RSR		1

7713 Extractable Jaw Assembly



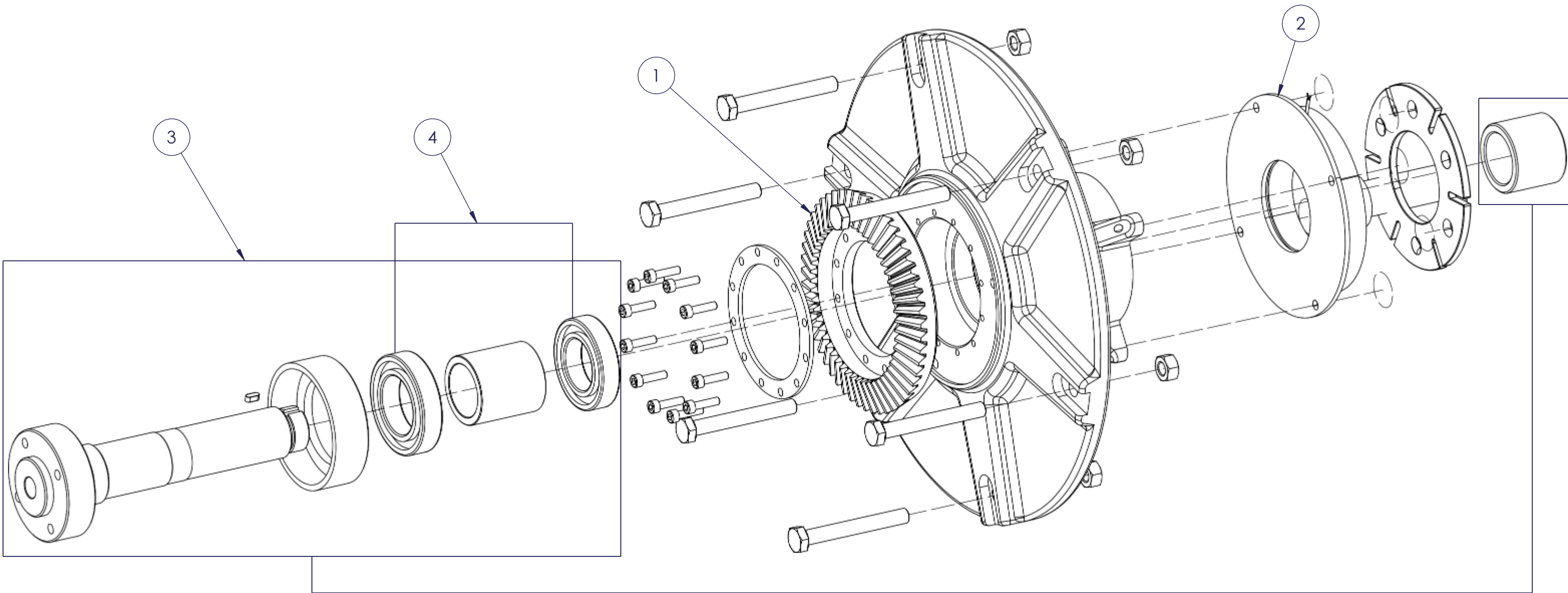
PARTS LIST				
ITEM NO.	PART NUMBER	DESCRIPTION	REMARK	QTY
1	1865425-SP	LOWER PLATE		1
2	1865231-SP	EXTRACTABLE RAIL		2
3	100209-SP	BRASS BUSH		4
4	1818383-SP	CLAMPING DISC SHAFT SET		1
5	1092015-SP	BEARING		2
6	1865190-SP	PLUNGER SET		1
7	1865188-SP	EXTRACTABLE HANDLE SET		1
8	1865206-SP	HANDLE		1
9	186577-SP	LEAD SCREW NUT RH		1
10	100211-SP	EXTRACTABLE BLOCK & HANDLE ASSY.		1

7714 GUIDE BAR ASSEMBLY



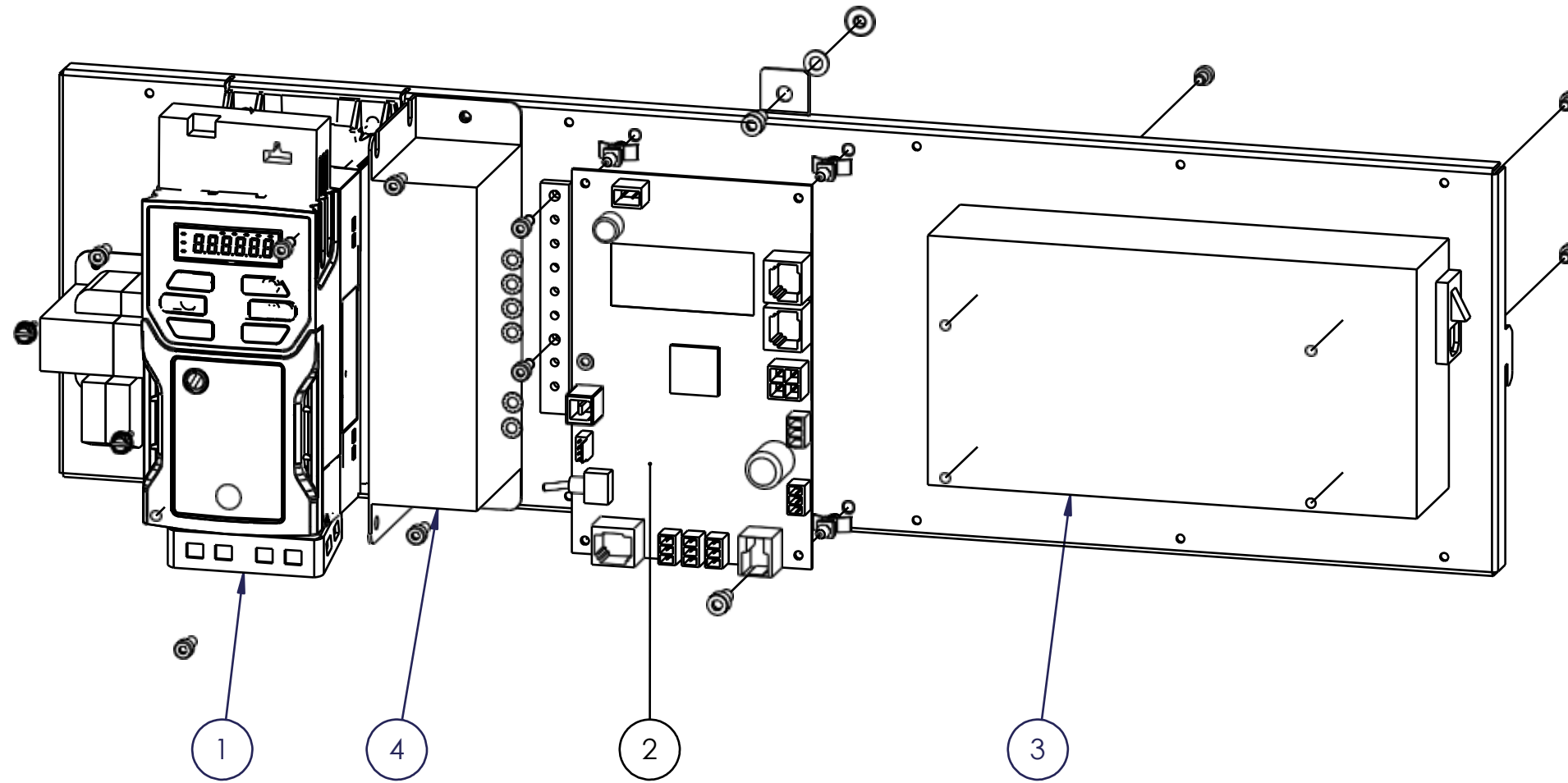
PARTS LIST				
ITEM NO.	PART NUMBER	DESCRIPTION	REMARKS	QTY.
1	100212-SP	GUIDE BAR		2
2	100216-SP	LEAD SCREW		1
3	1819800-SP	SPLINED SHAFT		1
4	1818428-SP	PINION Z=17 m=2.9		1
5	FM200181-SP	HEX SHAFT SET		1
6	1865182-SP	GEAR COVER		1

7715 Spindle Housing Assembly



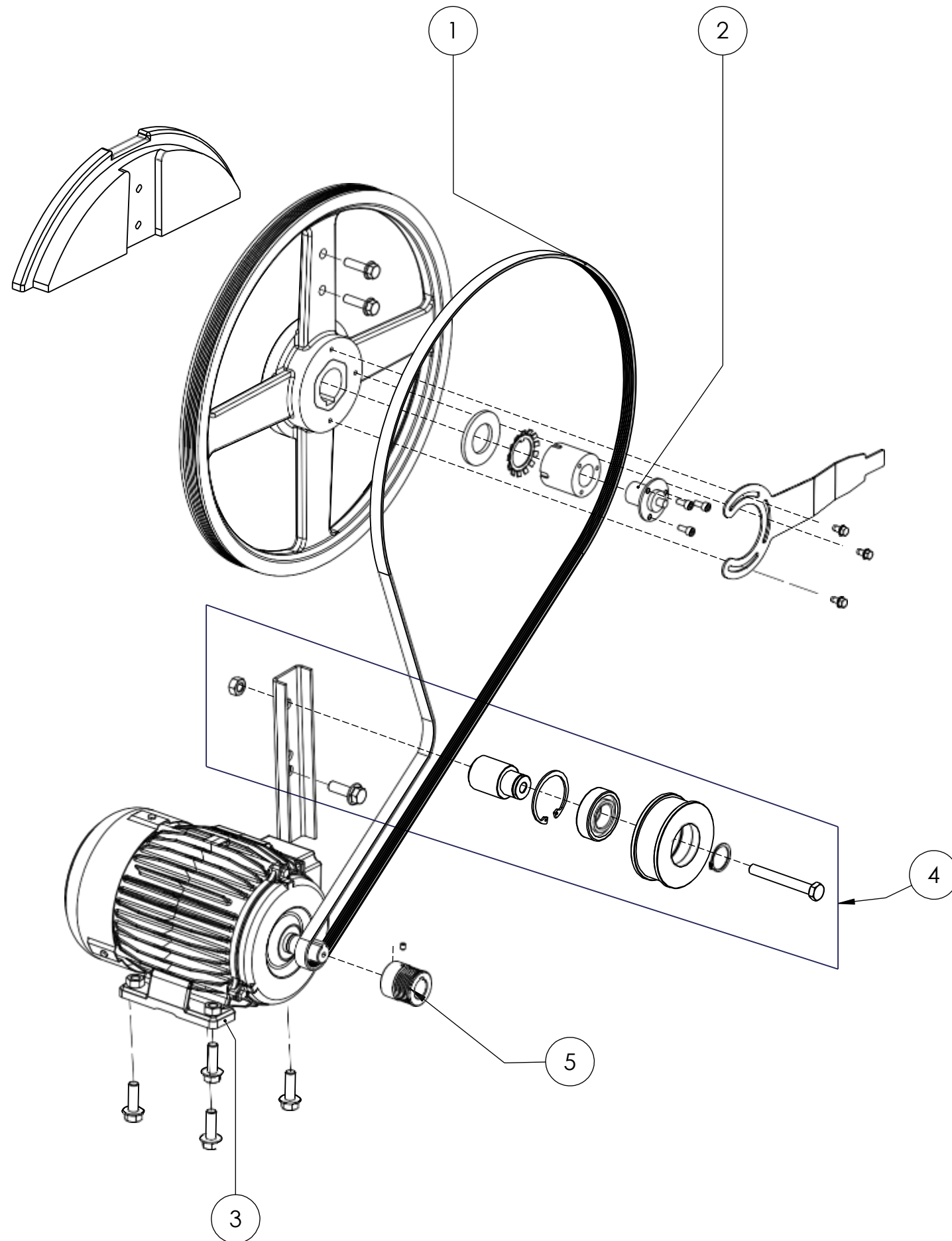
PART LIST				
ITEM NO.	PART NUMBER	DESCRIPTION	REMARKS	QTY.
1	1818427-SP	BEVEL Z=51.m=2.9		1
2	100243-SP	ELECTROMAGNETIC BRAKE		1
3	100199-SP	MAIN SPINDLE SET		1
4	1818378-SP	BEARING		1

7730 ELECTRONIC PLATE ASSEMBLY - AM VERSION



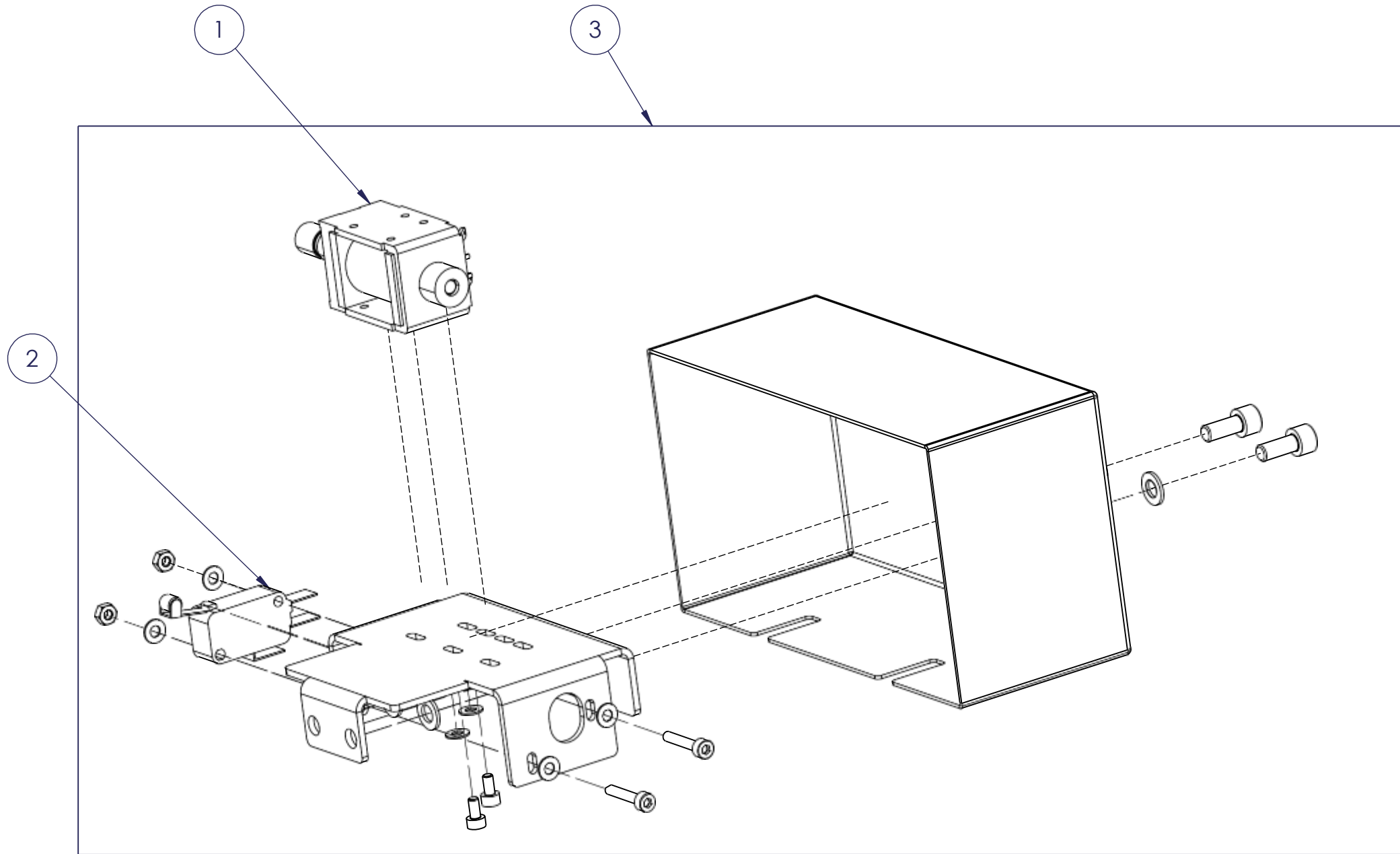
PARTS LIST				
ITEM	PART #	DESCRIPTION	REMARK	QTY
1	1865880-SP	NIDEC INVERTER C200,0.55KW	FROM SN 3003665F	1
1	1864913-SP	INVERTER 3G3MX2-AB004-E		1
2	1818155-SP	PCB,LOGIC BOARD V3.1		1
3	2810045-SP	ARCH POWERSUPPLY AQF600-24S	FROM SN 3003665F	1
3	1818255-SP	POWERSUPPLY,HRP-600-24		1
4	1865400-SP	FILTER AX-FIM1010-SE-LL		1

7740 Cradle pulley assembly



PARTS LIST				
ITEM	PART #	DESCRIPTION	REMARK	QTY
1	1865431-SP	BELT PJ1930-6 760J		1
2	1864989-SP	SLIPRING		1
3	100240-SP	MAIN MOTOR 750W, CG		1
4	FM200180-SP	BELT TENTIONER ASSLY SET		1
5	100286-SP	PULLEY,MOTOR		1

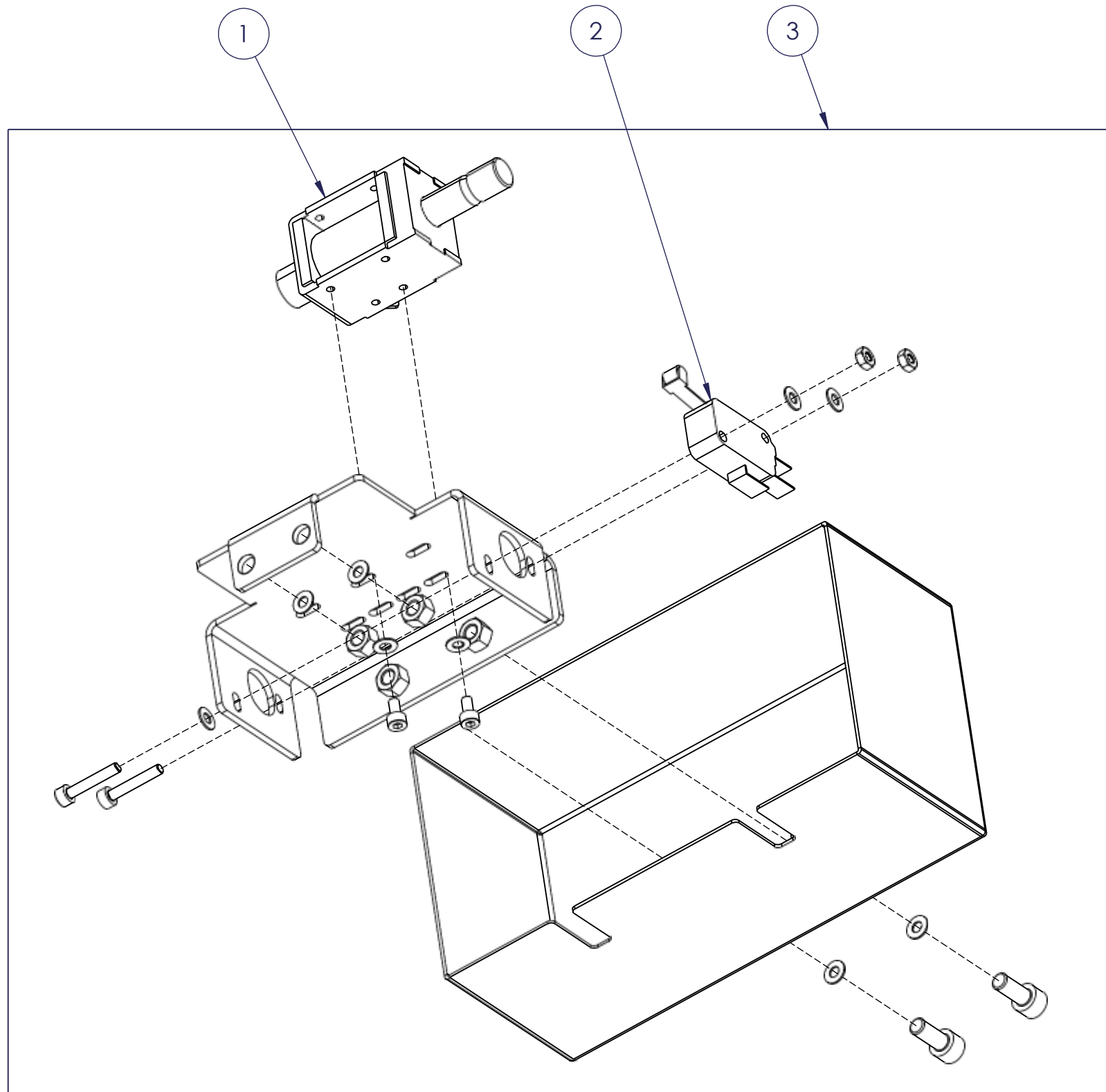
7750-A- Door locking Assembly - Left



* Only 1 microswitch & related fasteners to be provided for every two door locking assembly as spare.

PART LIST				
ITEM NO.	PART NUMBER	DESCRIPTION	REMARKS	QTY.
1	1860672-SP	DOOR LOCK		1
2	1160200-SP	LIMIT SWITCH MICRO		1
3	100229-SP	DOOR LOCKING ASSEMBLY - LEFT	SPB V3.0	2*

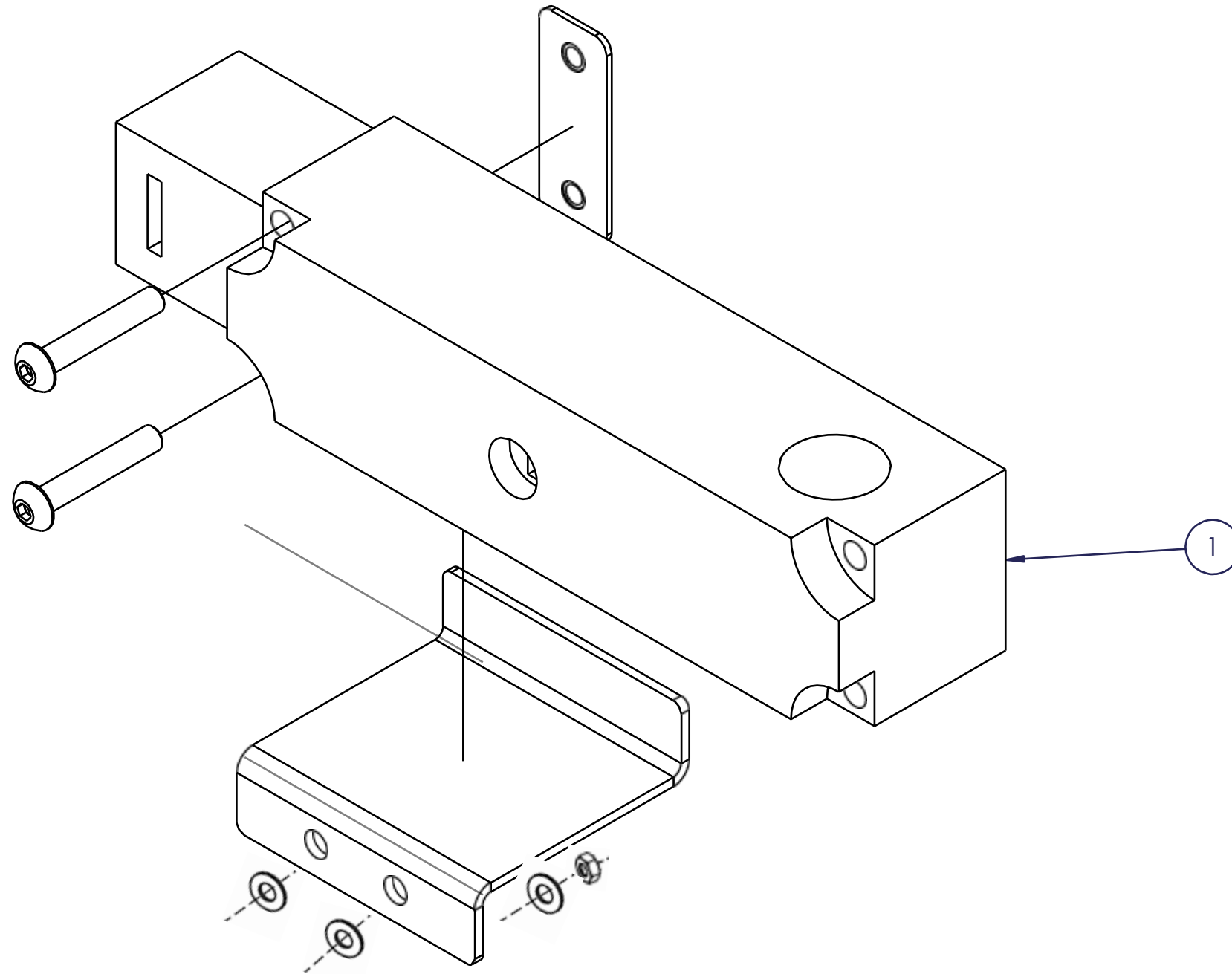
7750-B- Door locking Assembly - Right



* Only 1 microswitch & related fasteners to be provided for every two door locking assembly as spare.

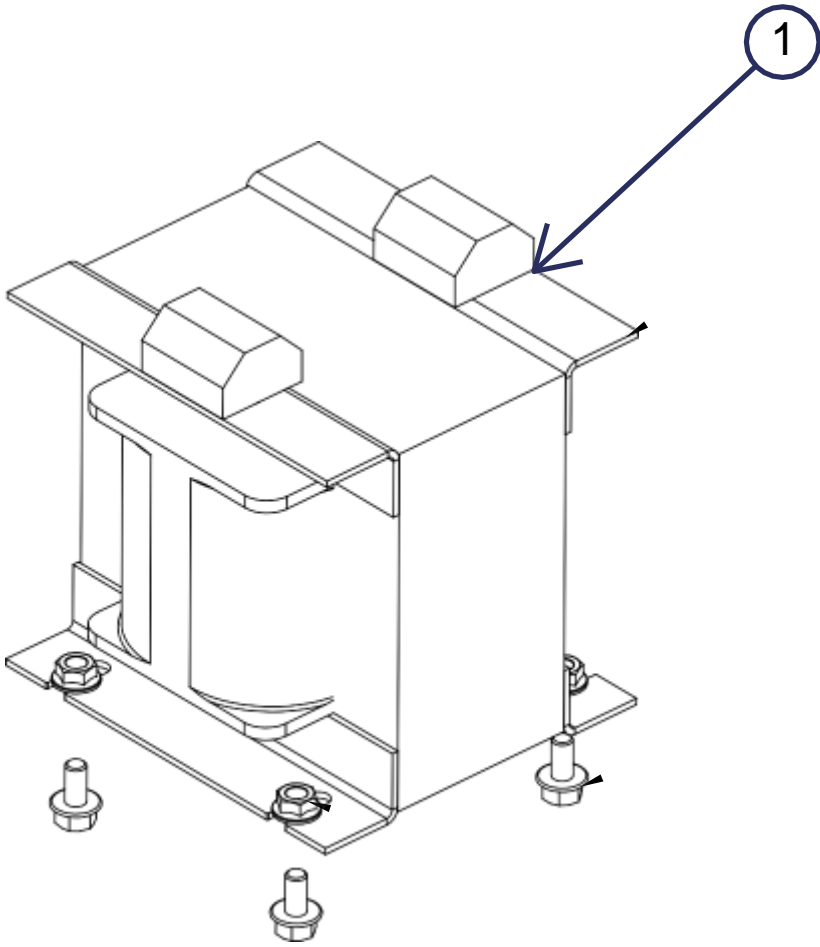
PART LIST				
ITEM NO.	PART NUMBER	DESCRIPTION	REMARKS	QTY.
1	1860672-SP	DOOR LOCK		1
2	1160200-SP	LIMIT SWITCH MICRO		1
3	100316-SP	DOOR LOCKING ASSEMBLY - RIGHT	SPB V3.0	2*

7750 DOOR LOCKING ASSEMBLY FOR AM VERSION SLIDING DOOR & SWAPPING DOOR OMRON/EUCHNER LOCK



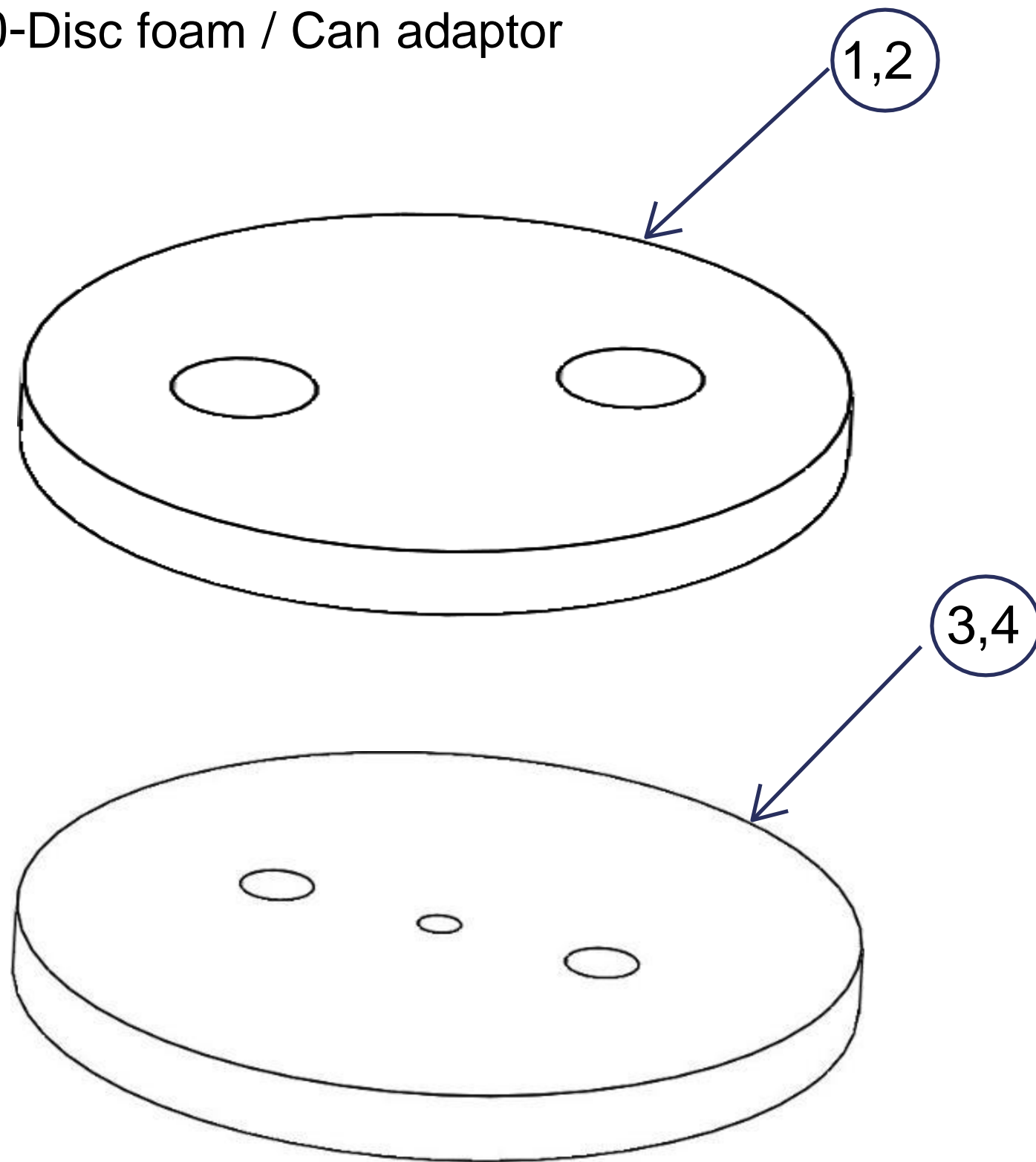
ITEM NO.	PART NUMBER	DESCRIPTION	REMARKS	QTY.
1	2810044-SP	EUCHNER LOCK,TP3-2131A024MC2480	FROM SN 3003624F ONWARDS	1
1	1865550-SP	DOOR LOCK	REFER PB V4.0	1

7760-Transformer, 110V



PART LIST				
ITEM NO.	PART NO.	DESCRIPTION	REMARK	QUANTITY
1	100409-SP	Transformer 110V	V4.0	1

7770-Disc foam / Can adaptor



PARTS LIST				
ITEM	PART NO.	DESCRIPTION	REMARK	QTY
1	5109018-SP	DISC FOAM LARGE5G, DIA 175MM,20MM THICK		1
2	5109019-SP	DISC FOAM SMALL5G, DIA 175MM,15MM THICK		1
3	FM0387-SP	LID ADAPTOR HDPE FOR 15 LITRE CAN	V4.0, Only for GX300 AM, ECN 20221101-I	1
4	FM540-SP	LID ADAPTOR HDPE FOR 10 LITRE CAN	V4.0, Only for GX300 AM, ECN 20221101-I	1