

SPARE PARTS BOOK

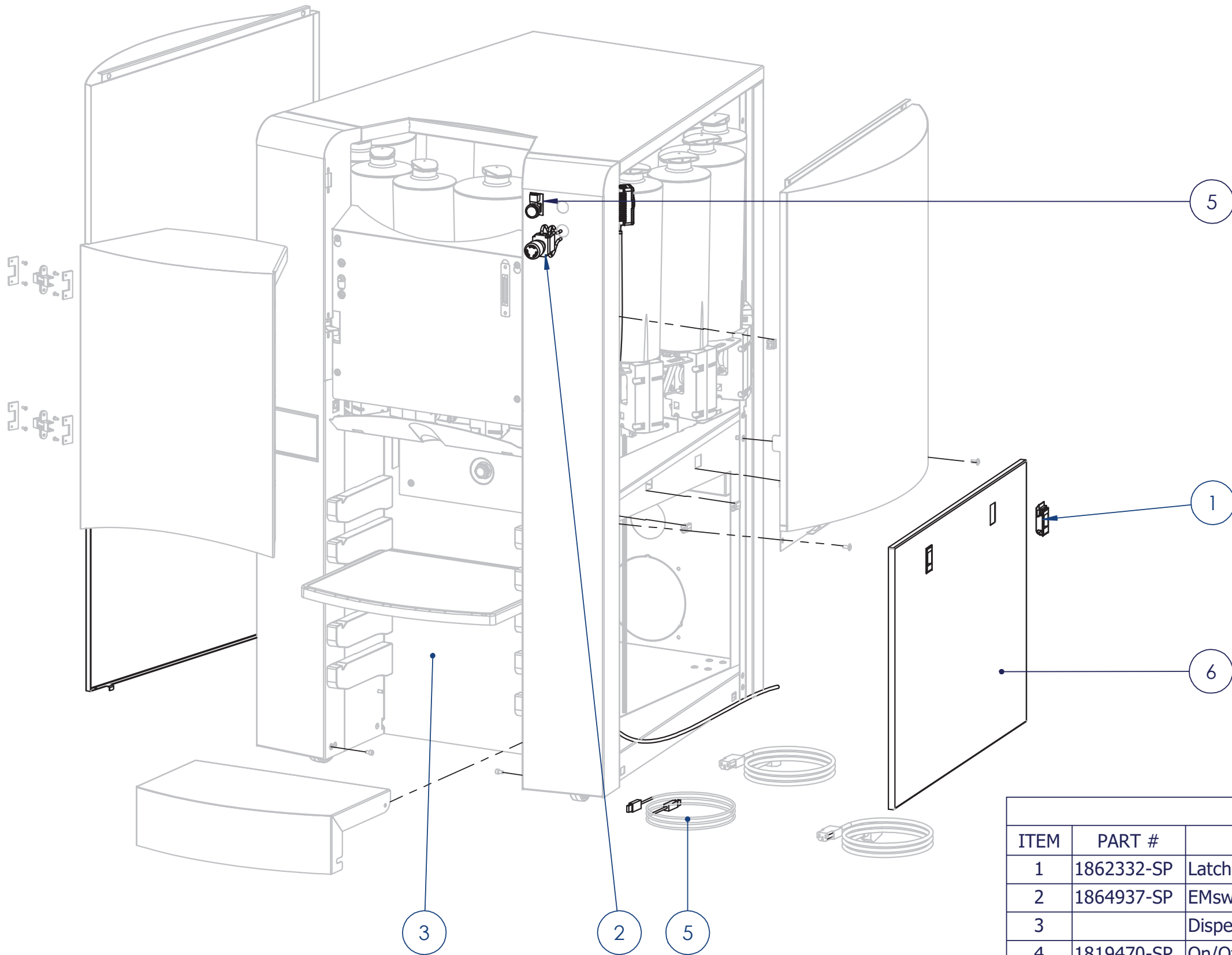
X-PROTINT



INDEX

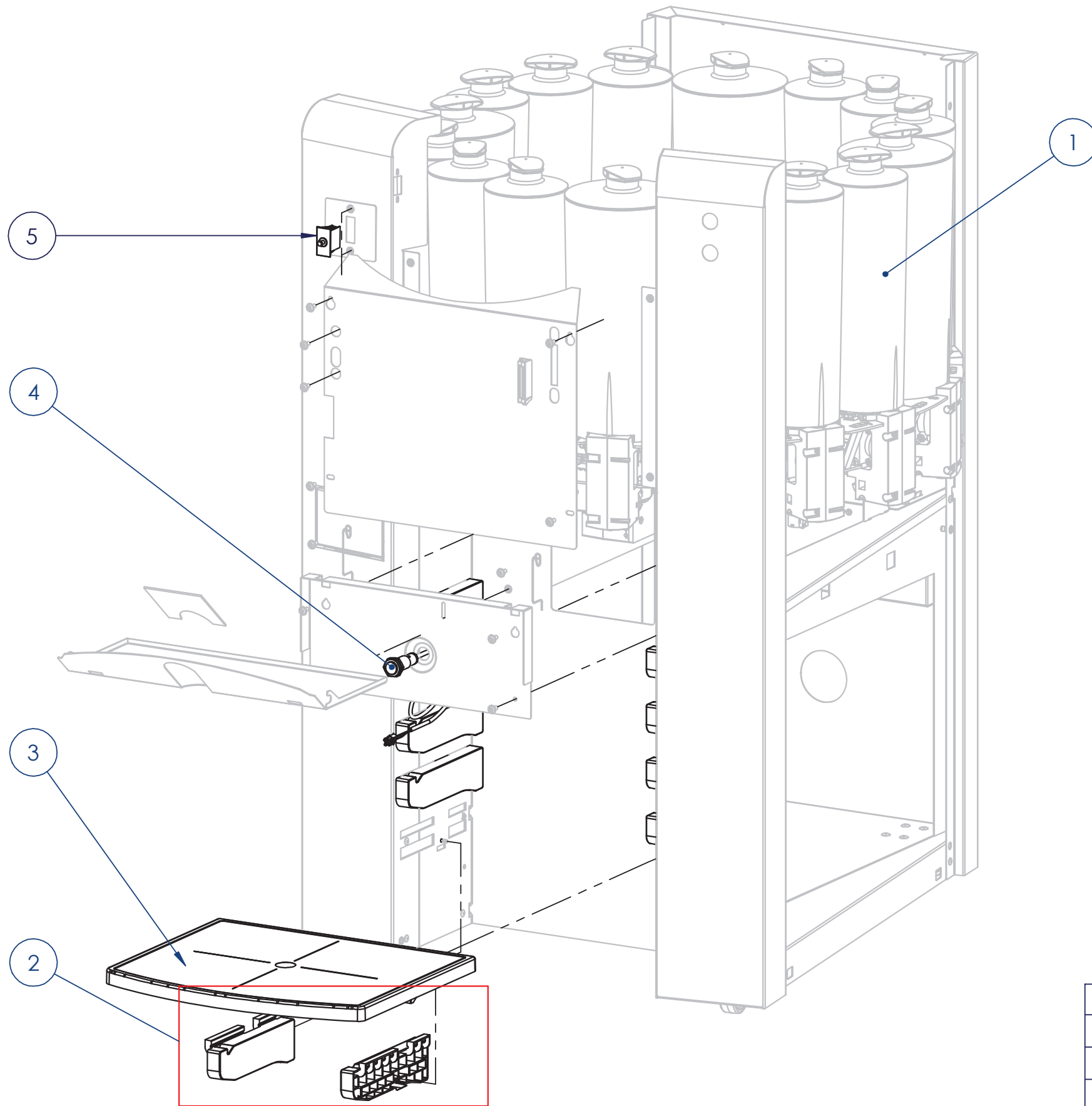
X-PROTINT	7420
Dispense bay parts	7421
Inner frame parts	7422
SDM X-PROTINT	7423
Brush unit	7424
Main frame	7425
Turn table	7426
Turn table 24C	7427
Power Module	7441
Table drive unit	7442
Mid beam	7443
Canister 2.3L	7451
Canister 4.6L	7452
Pump	7453
Pump (Solvent)	7454
Pump Module, 1.3L	7456
Canister 1.3L	7457
Pump assembly 1.3L	7458
Pomp module 2.3L	7460
Canister 2.3L	7461
Pump assembly 2.3L	7462
Heating module 1819274-SP	7470

7420 X-PROTINT



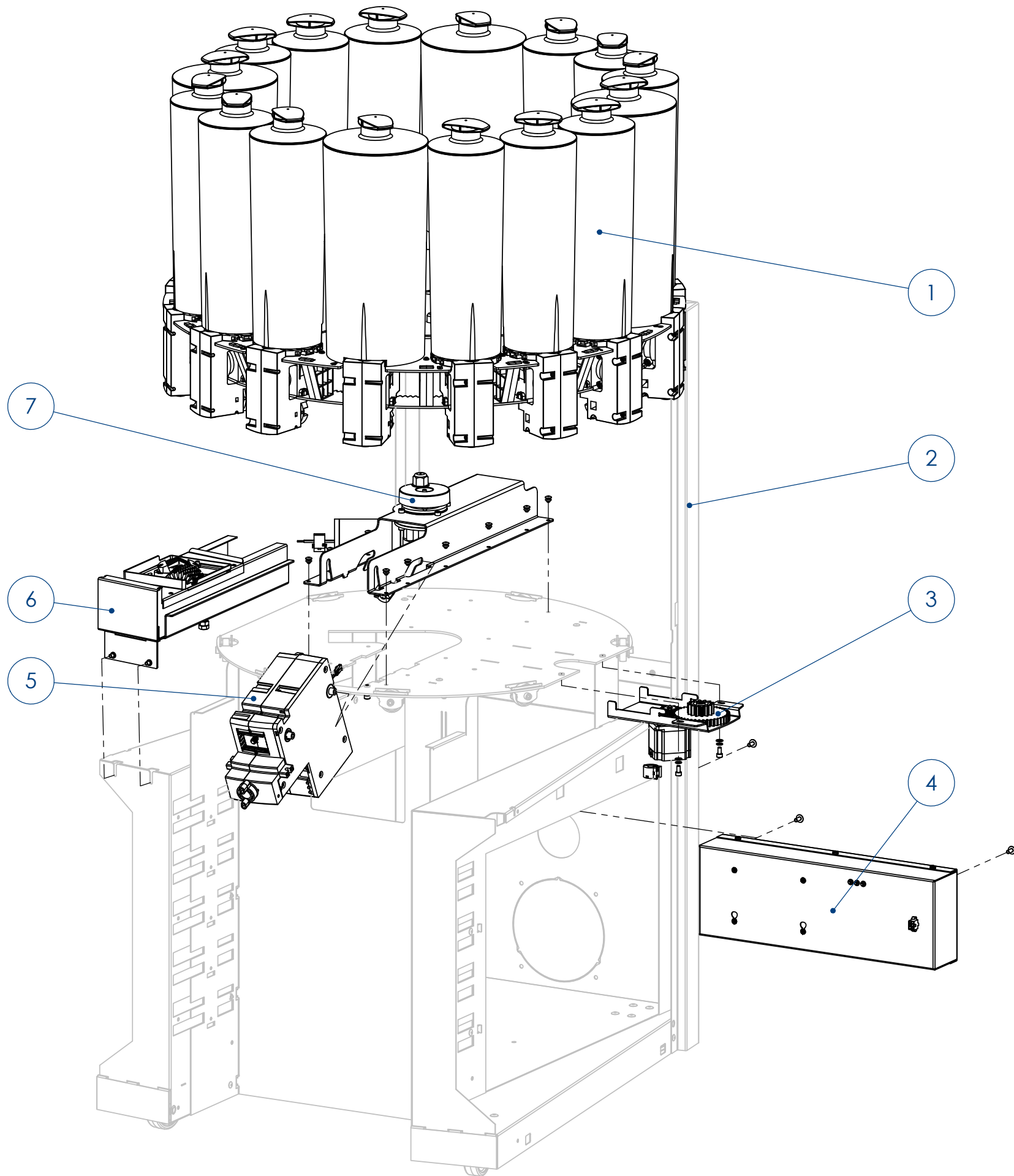
PARTS LIST			
ITEM	PART #	DESCRIPTION	REMARK
1	1862332-SP	Latch,slide,40-525,set 2pcs.	
2	1864937-SP	EMswitch complete	
3		Dispense bay parts	Page 7421
4	1819470-SP	On/Off,light complete	
5	1817218-SP	USB Communication Cable	
6	1818895-SP	Frame,Panel,side,down 2pcs	
7			
8			
9			

7421 Dispense bay parts



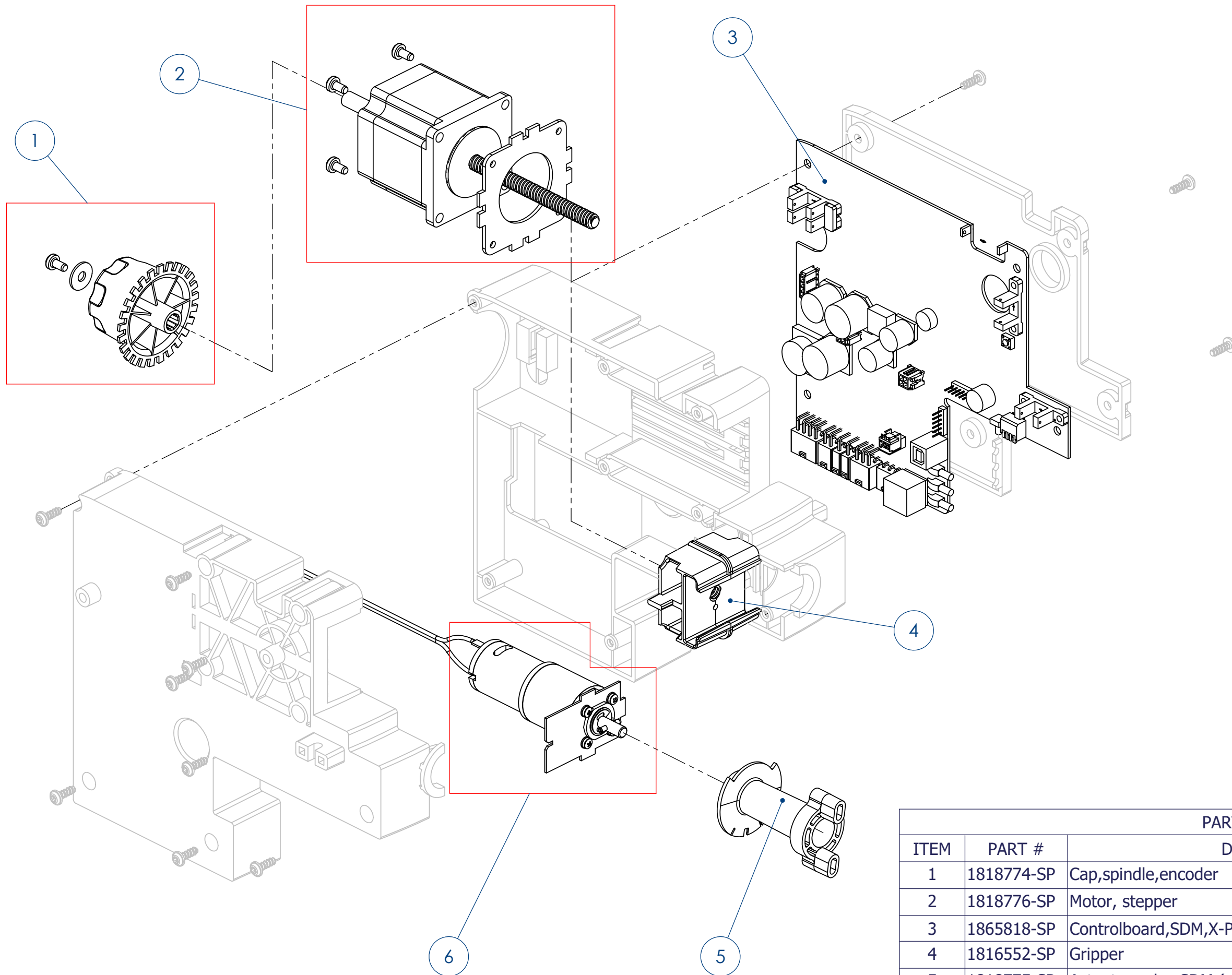
PARTS LIST			
ITEM	PART #	DESCRIPTION	REMARK
1		Inner frame parts	Page 7422
2	1819224-SP	Shelfholder left & right(set 1pc)	
3	1819000-SP	Can table X-PROTINT	
4	1818952-SP	Can sensor Y	
5	1819245-SP	Door switch assy	

7422 Inner frame parts



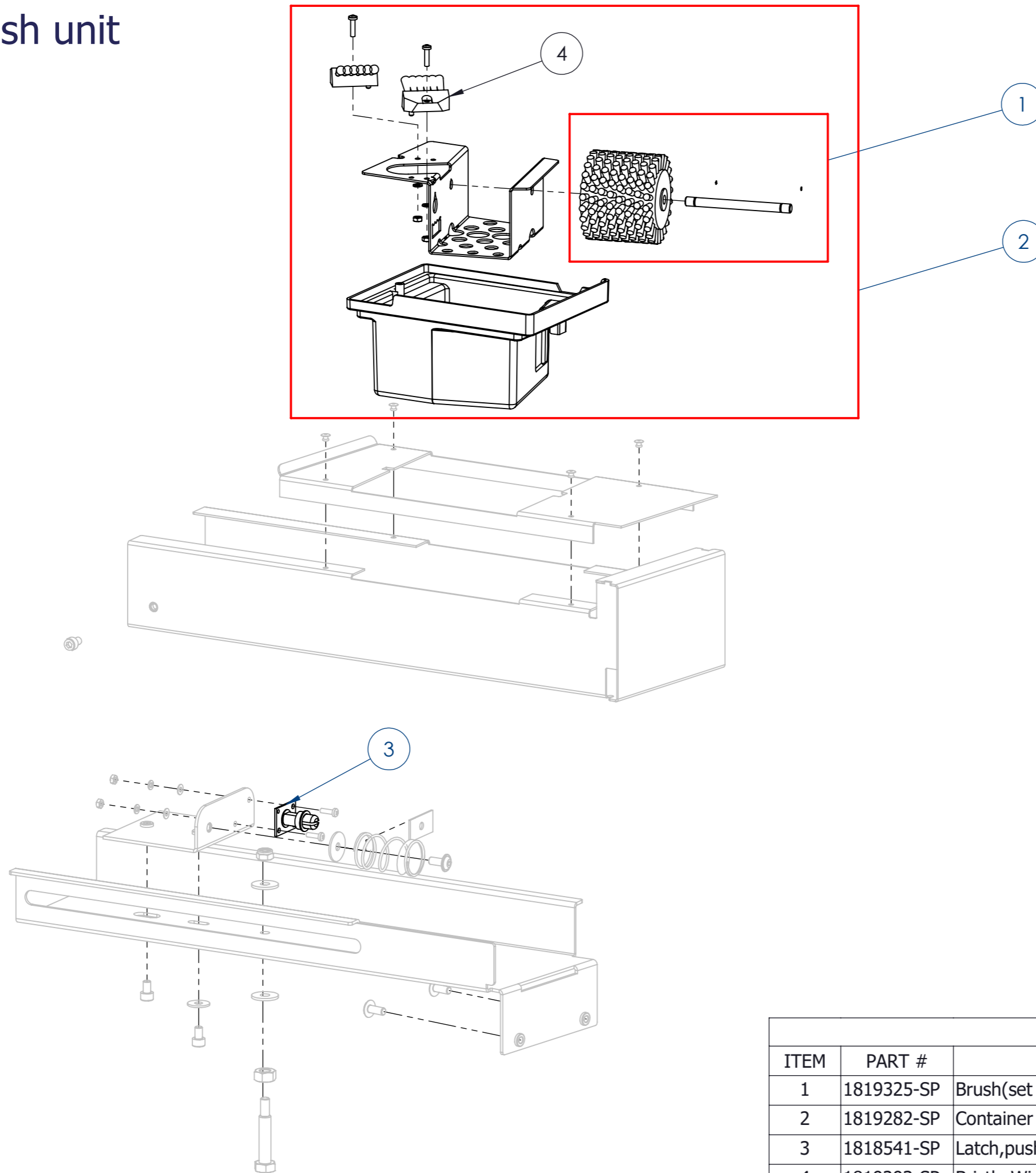
PARTS LIST			
ITEM	PART #	DESCRIPTION	REMARK
1		Turntable, 16C	Page 7426
		Turntable, 24C	Page 7427
		Turntable, 32C	Page 7428
2		Main frame	Page 7425
3	1819225-SP	Turntablemotor,compl.(set 1pc)	Page 7442
4		Power module	Page 7441
5	1865827-SP	SDM X-PROTINT,V2	Page 7423
6		Brush unit	Page 7424
7		Mid beam	Page 7443

7423 SDM X-PROTINT



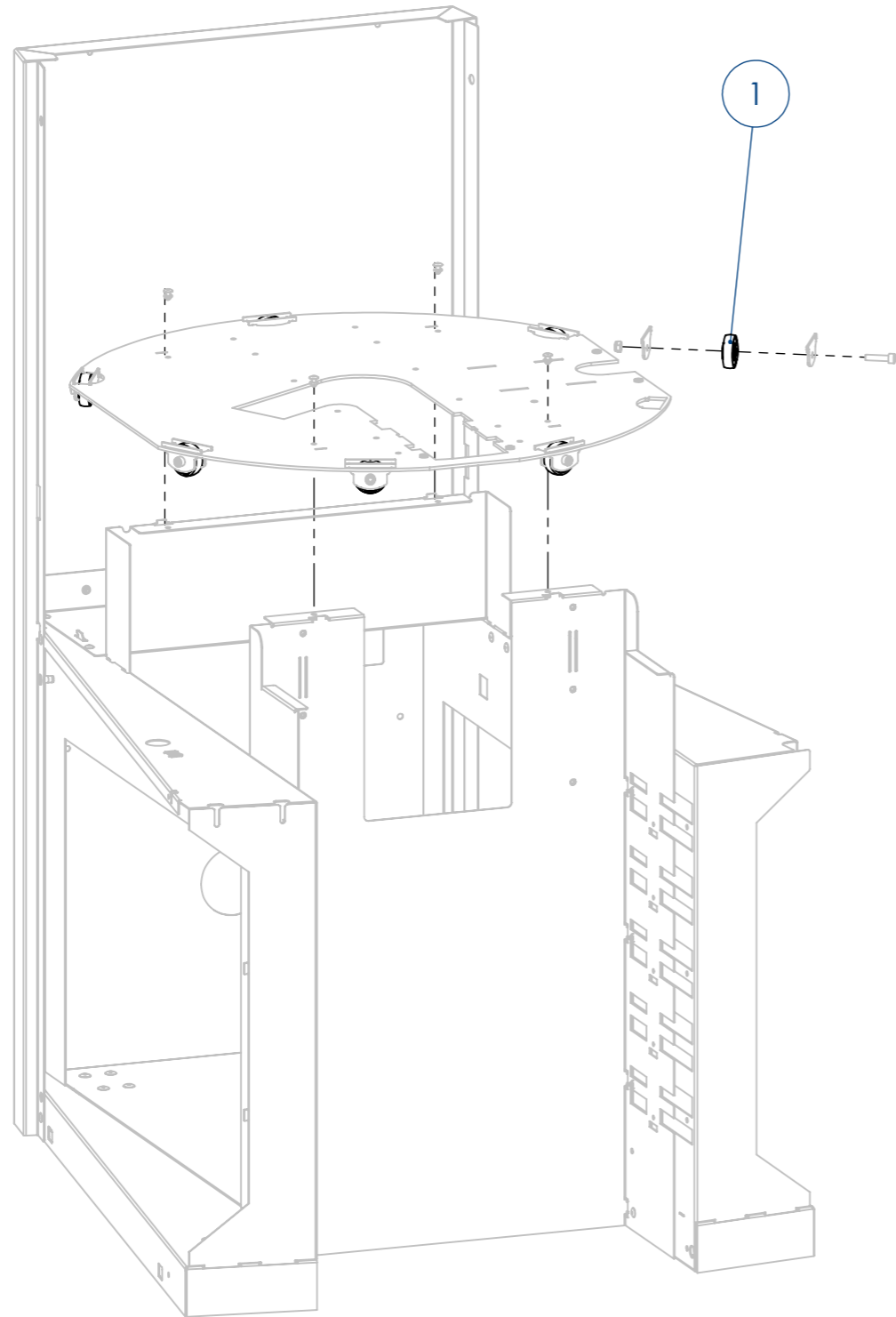
PARTS LIST			
ITEM	PART #	DESCRIPTION	REMARK
1	1818774-SP	Cap,spindle,encoder	
2	1818776-SP	Motor, stepper	
3	1865818-SP	Controlboard,SDM,X-PROTINT,V2	
4	1816552-SP	Gripper	
5	1818775-SP	Actuator,valve,SDM (set 2 pcs)	
6	1818911-SP	Motor,Valve	

7424 Brush unit



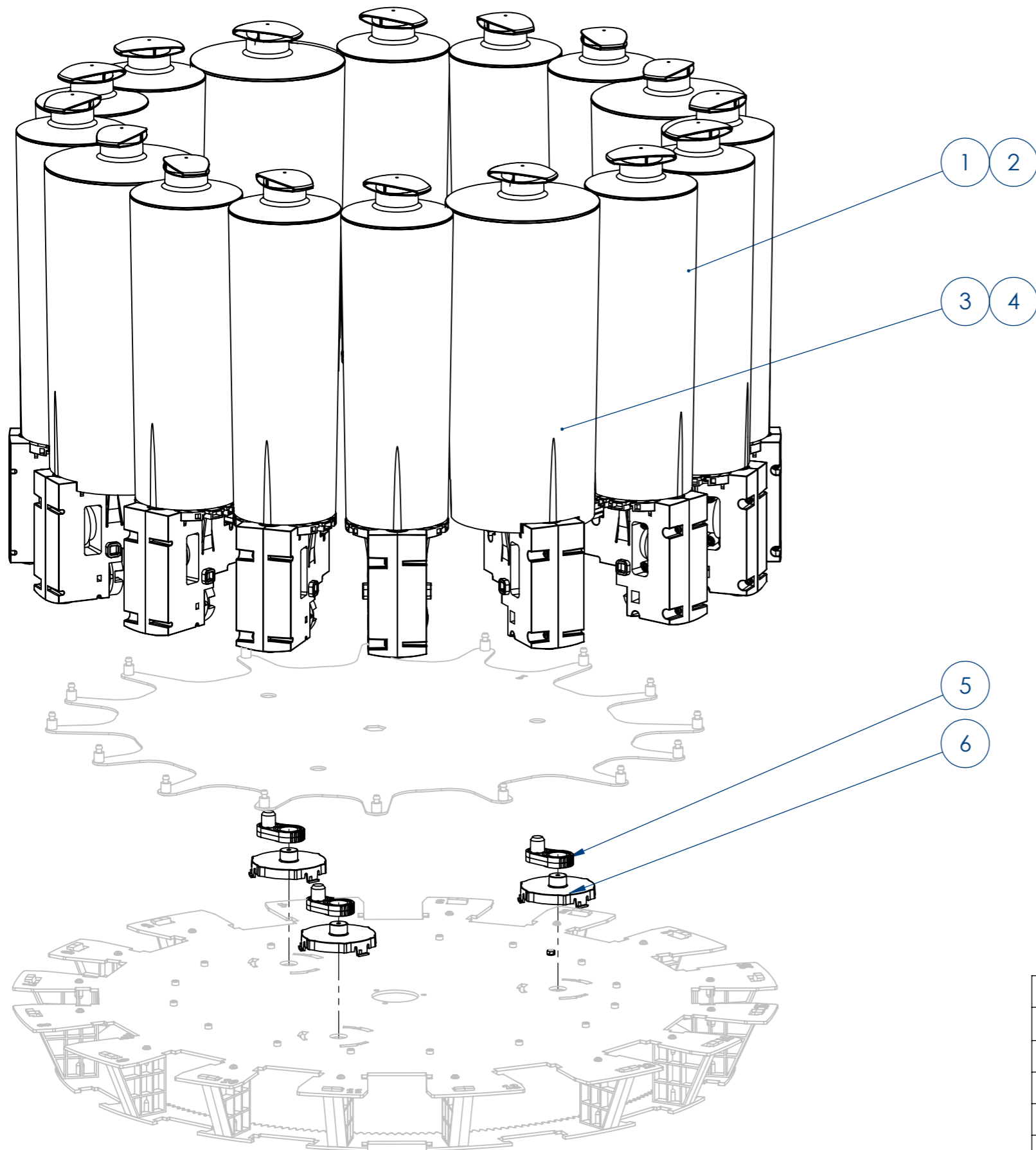
PARTS LIST			
ITEM	PART #	DESCRIPTION	REMARK
1	1819325-SP	Brush(set 1pc)	
2	1819282-SP	Container and brush(set 1pc)	
3	1818541-SP	Latch,push-in/out	
4	1819293-SP	Bristle Wiper(5set of 2 brush)	

7425 Main frame



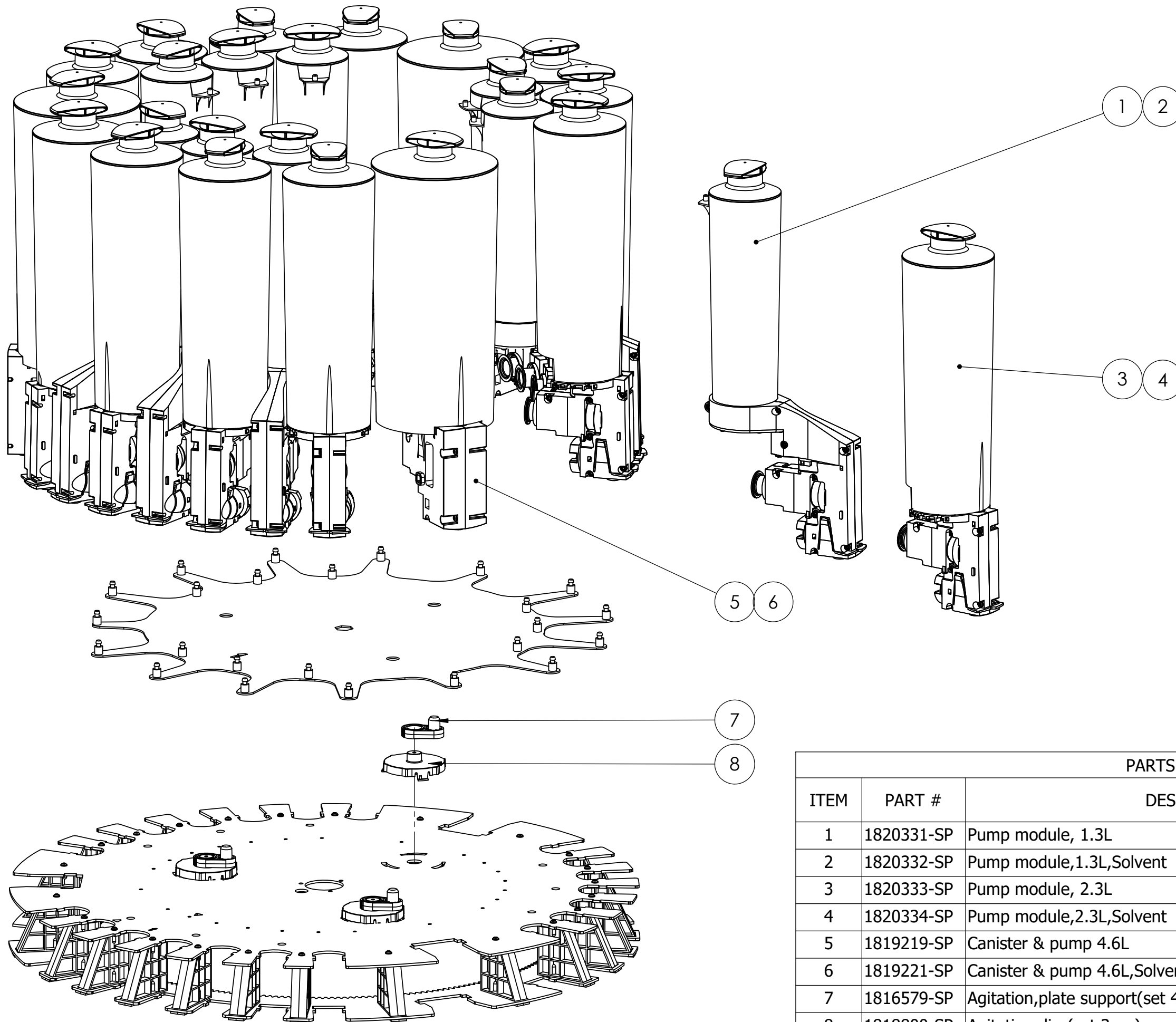
PARTS LIST			
ITEM	PART #	DESCRIPTION	REMARK
1	1862422-SP	Wheel,traversing,centric,35mm	

7426 Turntable



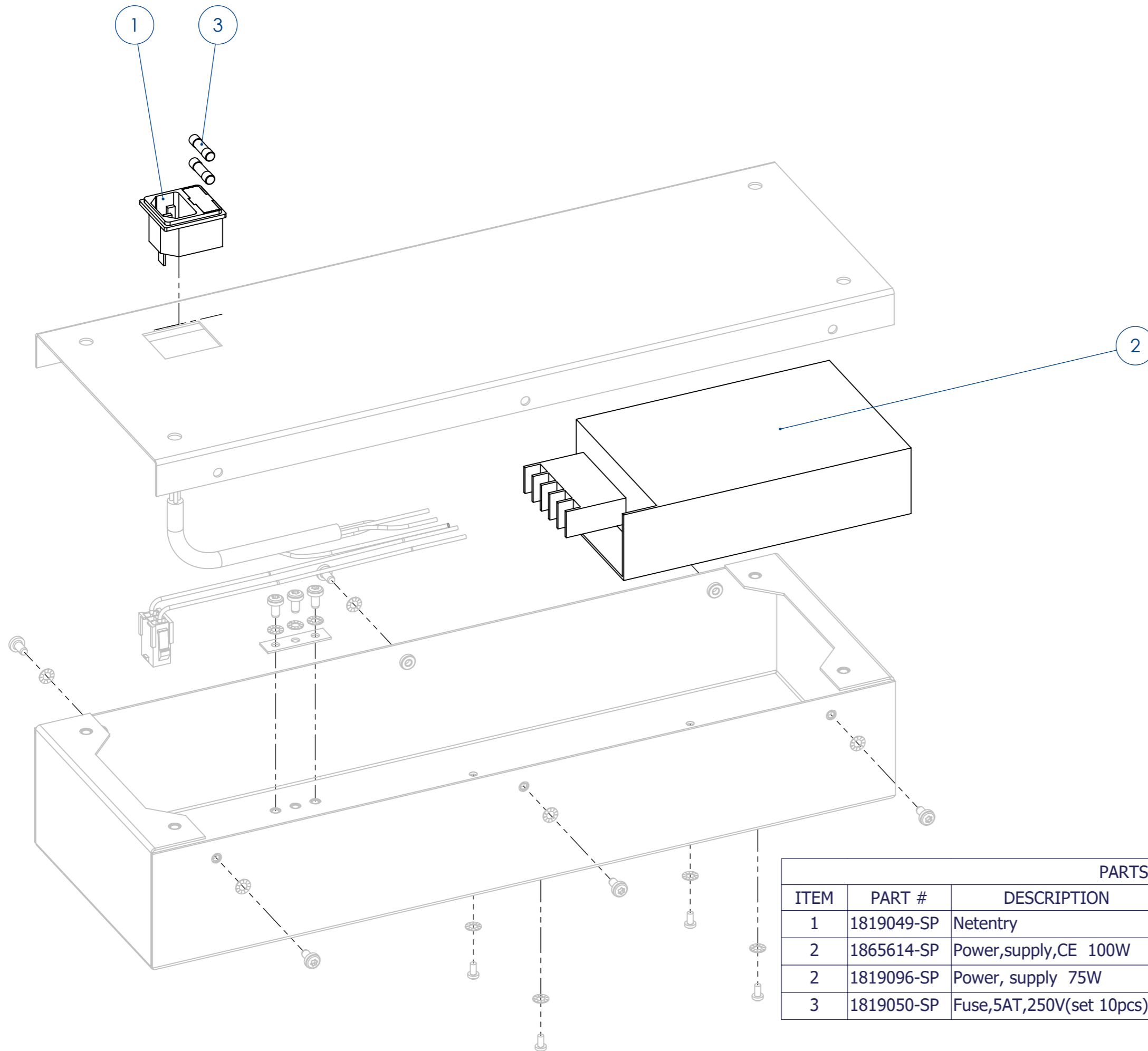
PARTS LIST			
ITEM	PART #	DESCRIPTION	REMARK
1	1819220-SP	Canister & pump 2.3L (solvent)	
2	1819218-SP	Canister & pump 2.3L	Page 7451
3	1819221-SP	Canister & pump 4.6L (solvent)	
4	1819219-SP	Canister & pump 4.6L	Page 7452
5	1816579-SP	Agitation,plate support(set 3pcs)	
6	1818800-SP	Agitation,disc(set 3pcs)	

7427 Turntable, 24C



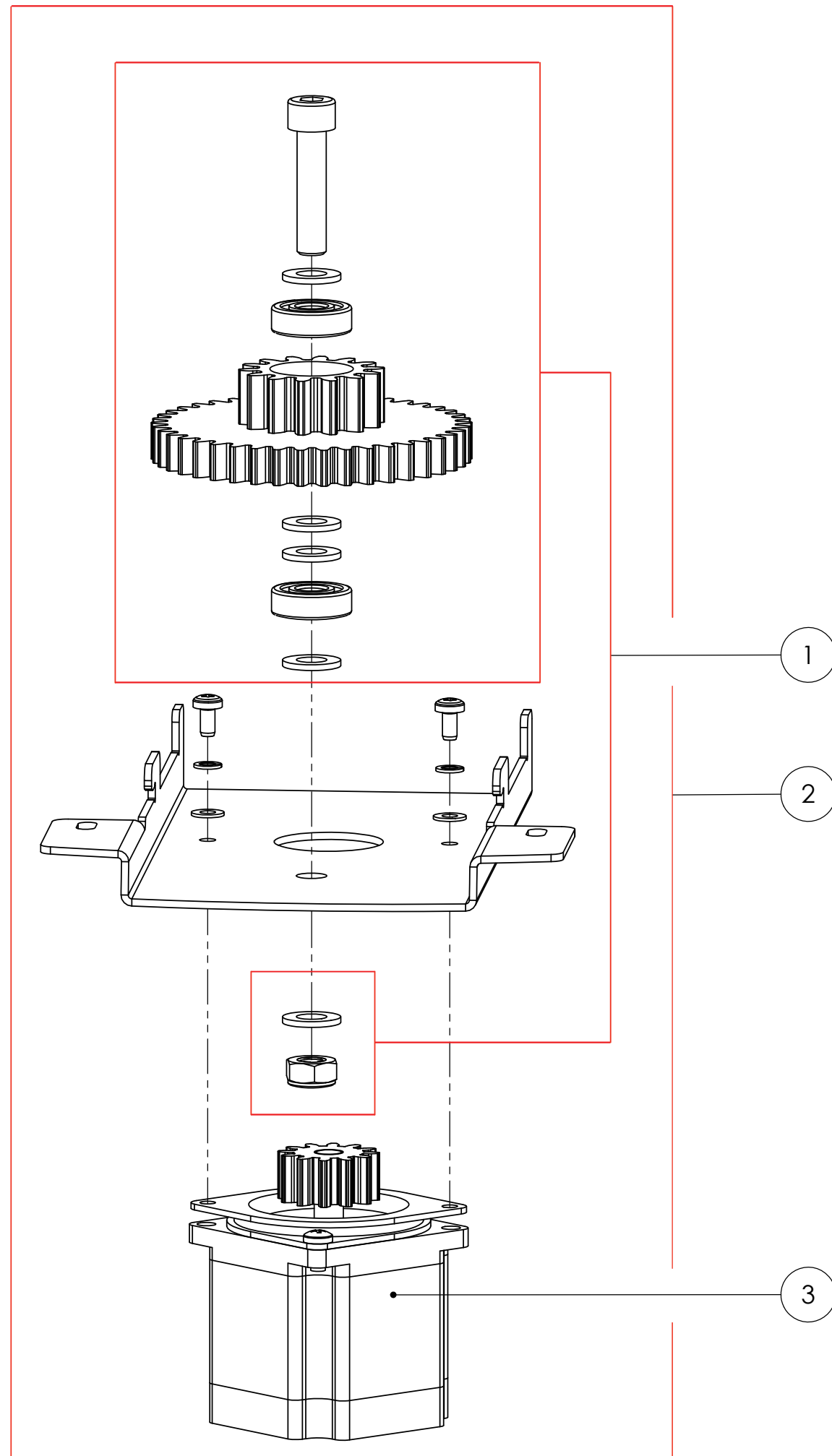
PARTS LIST			
ITEM	PART #	DESCRIPTION	REMARK
1	1820331-SP	Pump module, 1.3L	Page 7456
2	1820332-SP	Pump module,1.3L,Solvent	Page 7456
3	1820333-SP	Pump module, 2.3L	Page 7460
4	1820334-SP	Pump module,2.3L,Solvent	Page 7460
5	1819219-SP	Canister & pump 4.6L	Page 7452
6	1819221-SP	Canister & pump 4.6L,Solvent	Page 7452
7	1816579-SP	Agitation,plate support(set 4pcs)	
8	1818800-SP	Agitation,disc(set 3pcs)	

7441 Power module



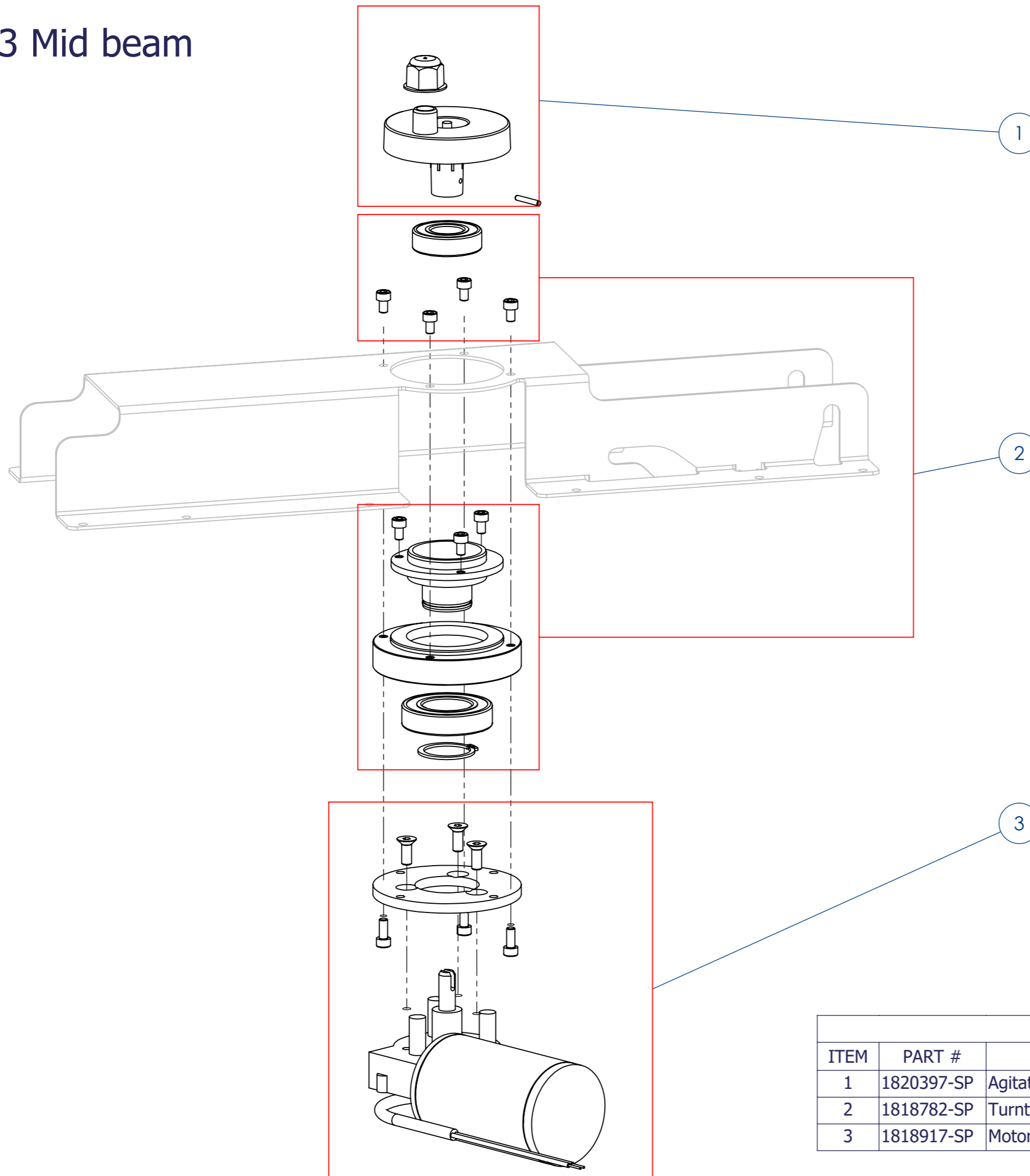
PARTS LIST			
ITEM	PART #	DESCRIPTION	REMARK
1	1819049-SP	Netentry	
2	1865614-SP	Power,supply,CE 100W	all XPT-24/32, XPT-16 CE models
2	1819096-SP	Power, supply 75W	XPT-16 Asia, XPT-16 UL, iNSPiRE models
3	1819050-SP	Fuse,5AT,250V(set 10pcs)	

7442 Table drive unit



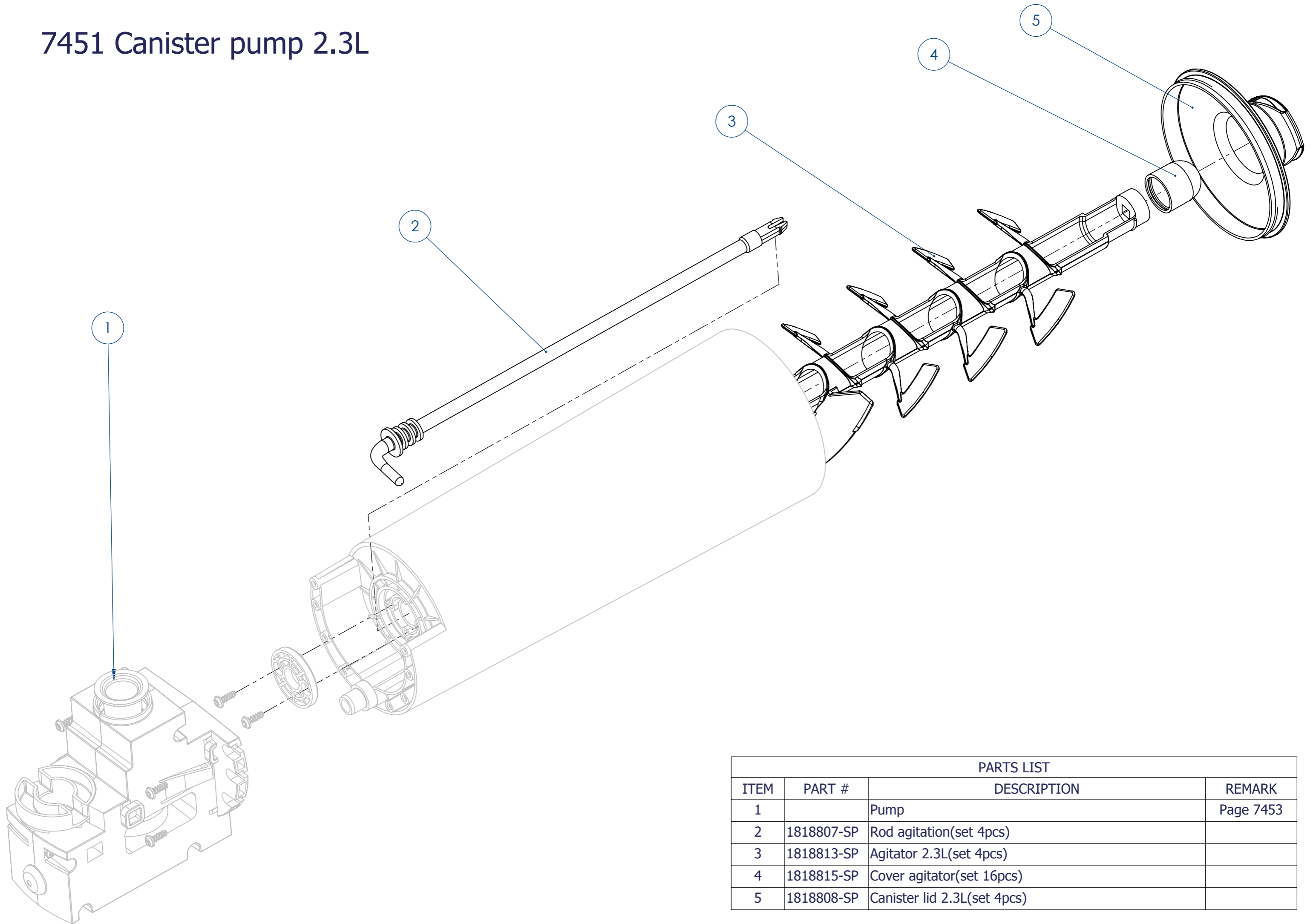
PARTS LIST			
ITEM	PART #	DESCRIPTION	REMARK
1	181917-SP	Gear with bearings(set 1pc)	
2	1819225-SP	Turtablemotor,compl.(set 1pc)	
3	1818821-SP	Motor,turtable	

7443 Mid beam



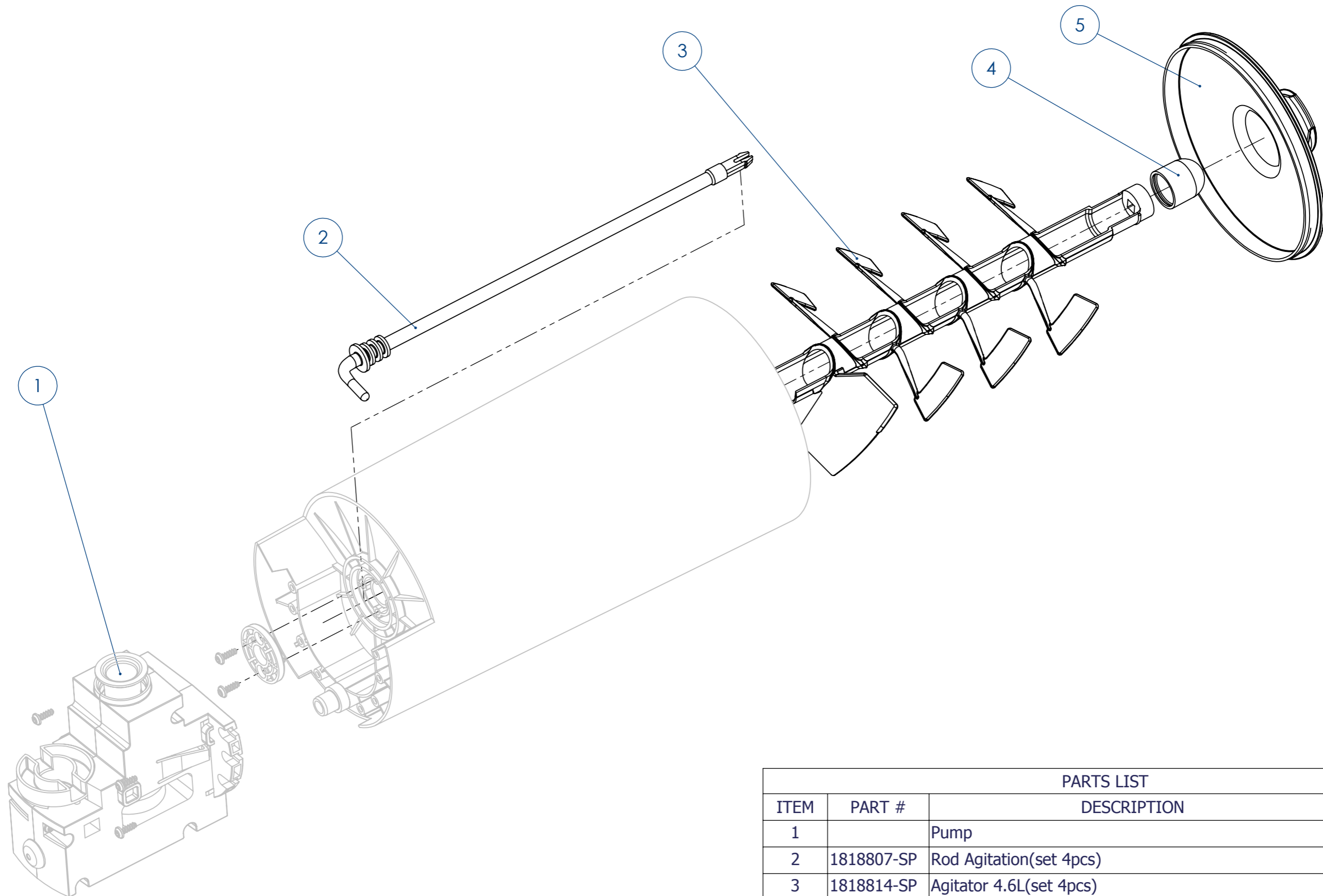
PARTS LIST			
ITEM	PART #	DESCRIPTION	REMARK
1	1820397-SP	Agitation,crank (2 pcs)	
2	1818782-SP	Turntable bearing(set 1pc)	
3	1818917-SP	Motor,agitation	

7451 Canister pump 2.3L



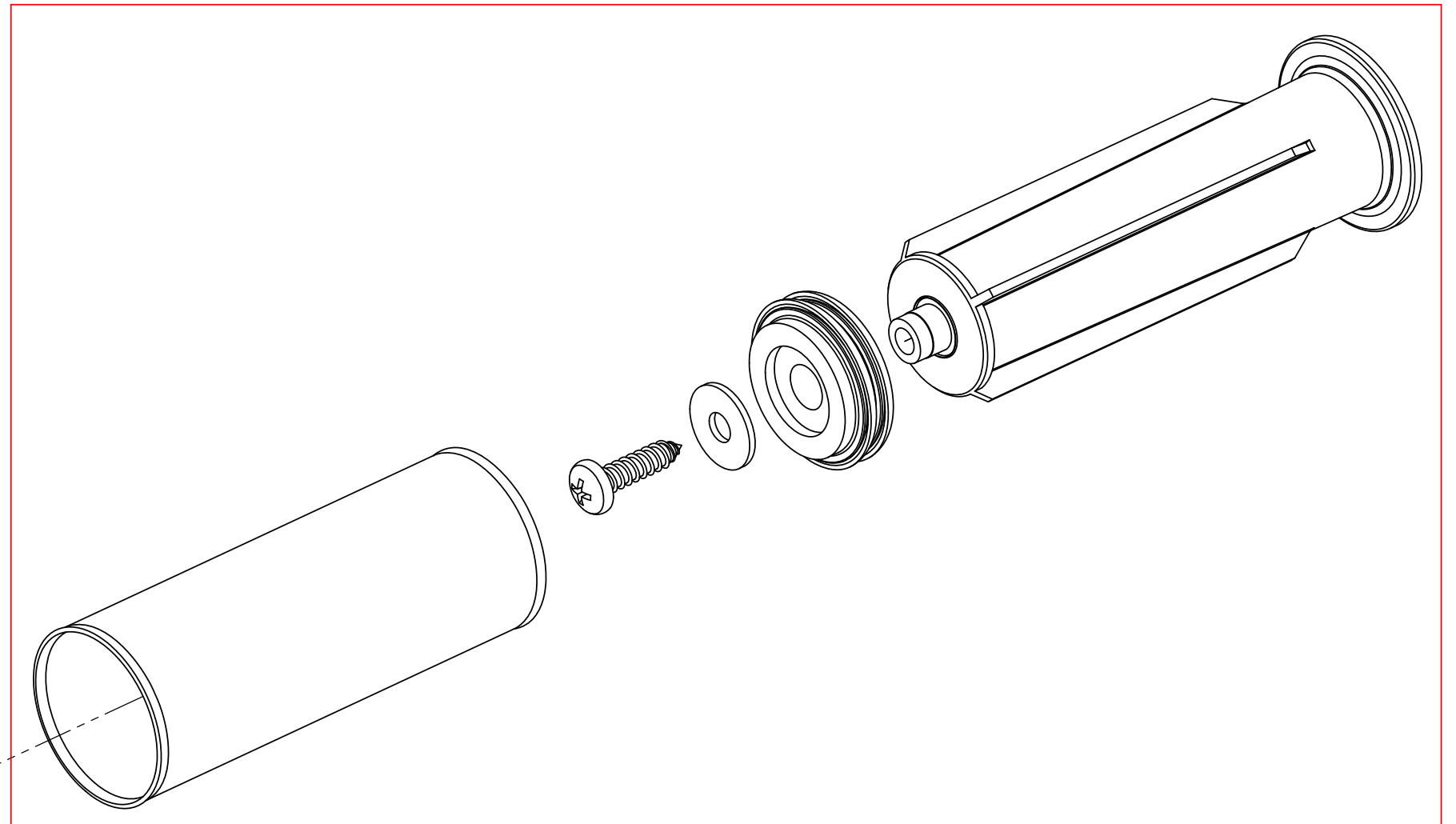
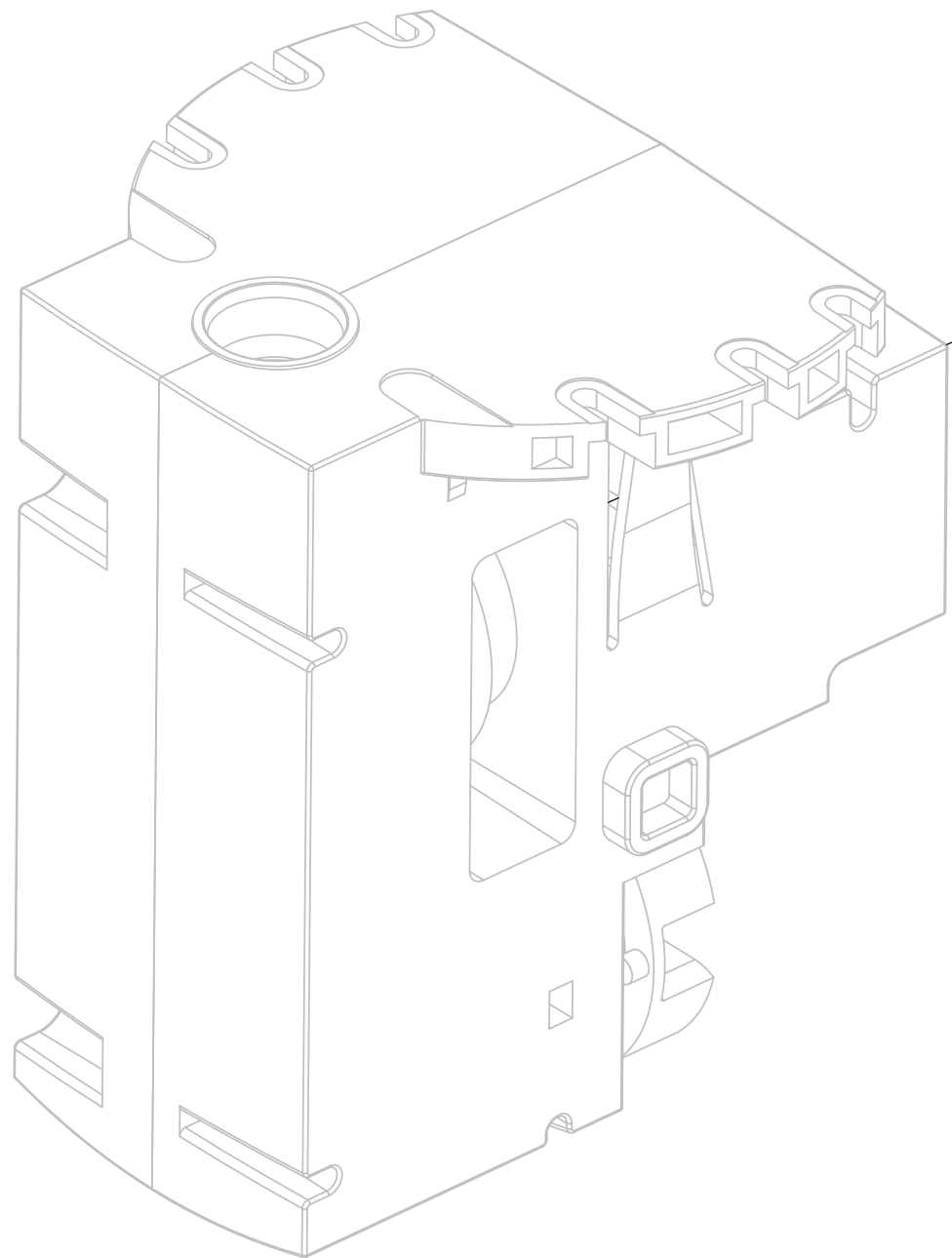
PARTS LIST			
ITEM	PART #	DESCRIPTION	REMARK
1		Pump	Page 7453
2	1818807-SP	Rod agitation(set 4pcs)	
3	1818813-SP	Agitator 2.3L(set 4pcs)	
4	1818815-SP	Cover agitator(set 16pcs)	
5	1818808-SP	Canister lid 2.3L(set 4pcs)	

7452 Canister & pump 4.6L



PARTS LIST			
ITEM	PART #	DESCRIPTION	REMARK
1		Pump	Page 7453
2	1818807-SP	Rod Agitation(set 4pcs)	
3	1818814-SP	Agitator 4.6L(set 4pcs)	
4	1818815-SP	Cover Agitator(set 16pcs)	
5	1818810-SP	Canister Lid 4.6L(set 4pcs)	

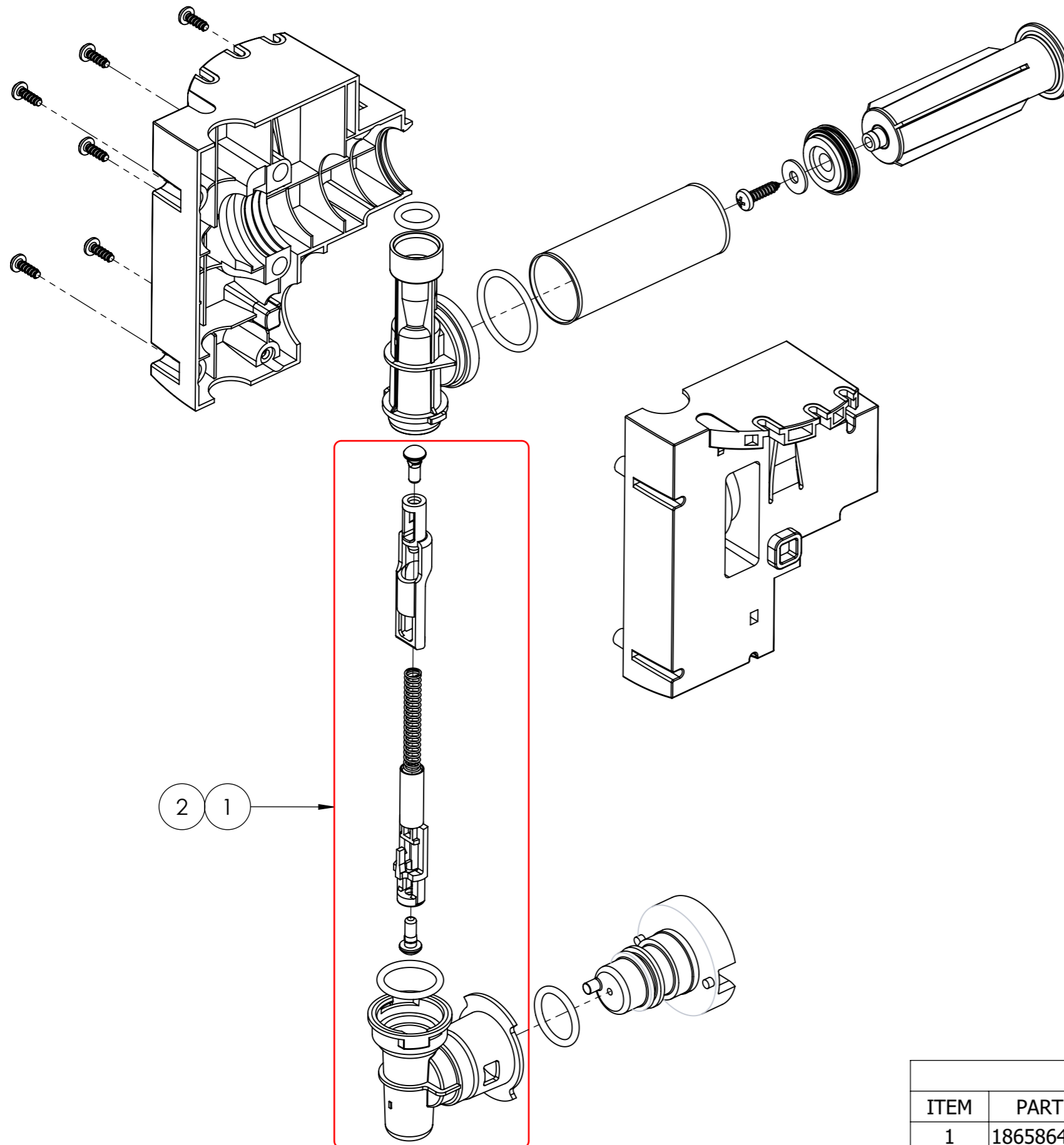
7453 Pump



1

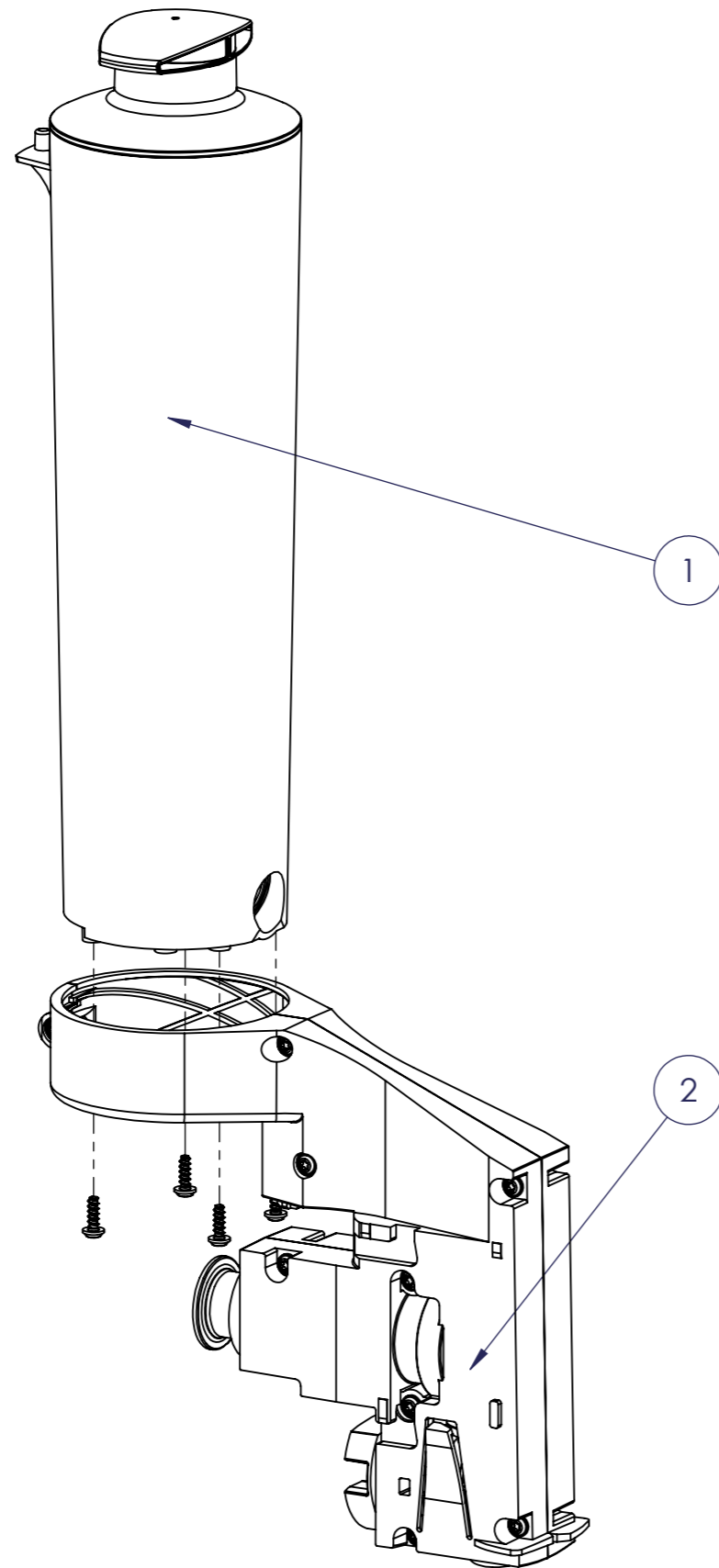
PARTS LIST			
ITEM	PART #	DESCRIPTION	REMARK
1	1818851-SP	Pistonrod + Piston(set 4pcs)	Water based
2	1865712-SP	Static seals (set 4 pcs) (available for testing of solvent applications)	part 3/5/15
3	1865720-SP	Dynamic seals (set 4 pcs) (available for testing of solvent applications)	part 13 / 16

7454 Pump (Solvent)



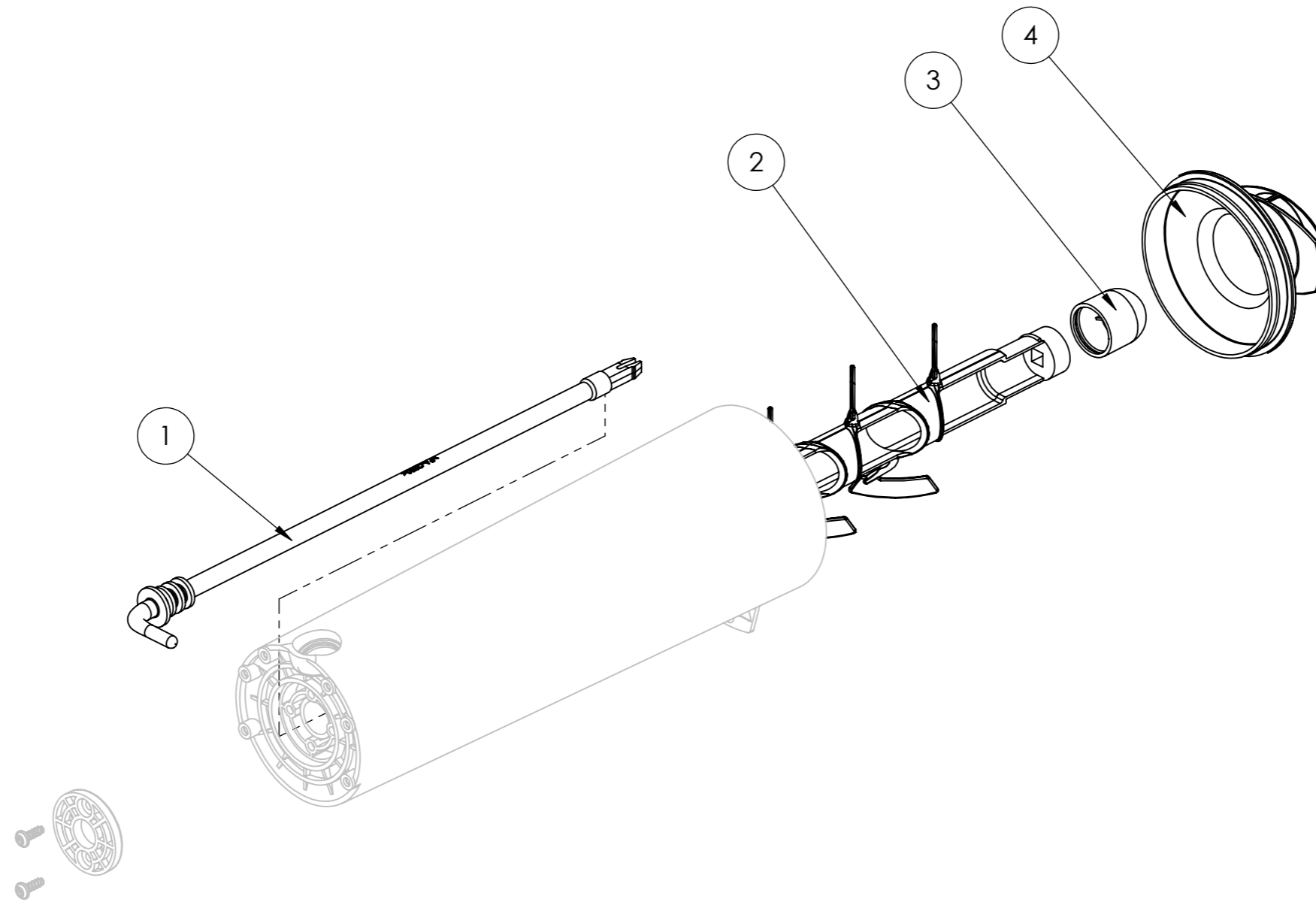
PARTS LIST			
ITEM	PART #	DESCRIPTION	REMARK
1	1865864-SP	Pump plunger,XPT,50pcs	
2	1865865-SP	Pump plunger,XPT,50pcs,Solvent	

7456 Pump module, 1.3L



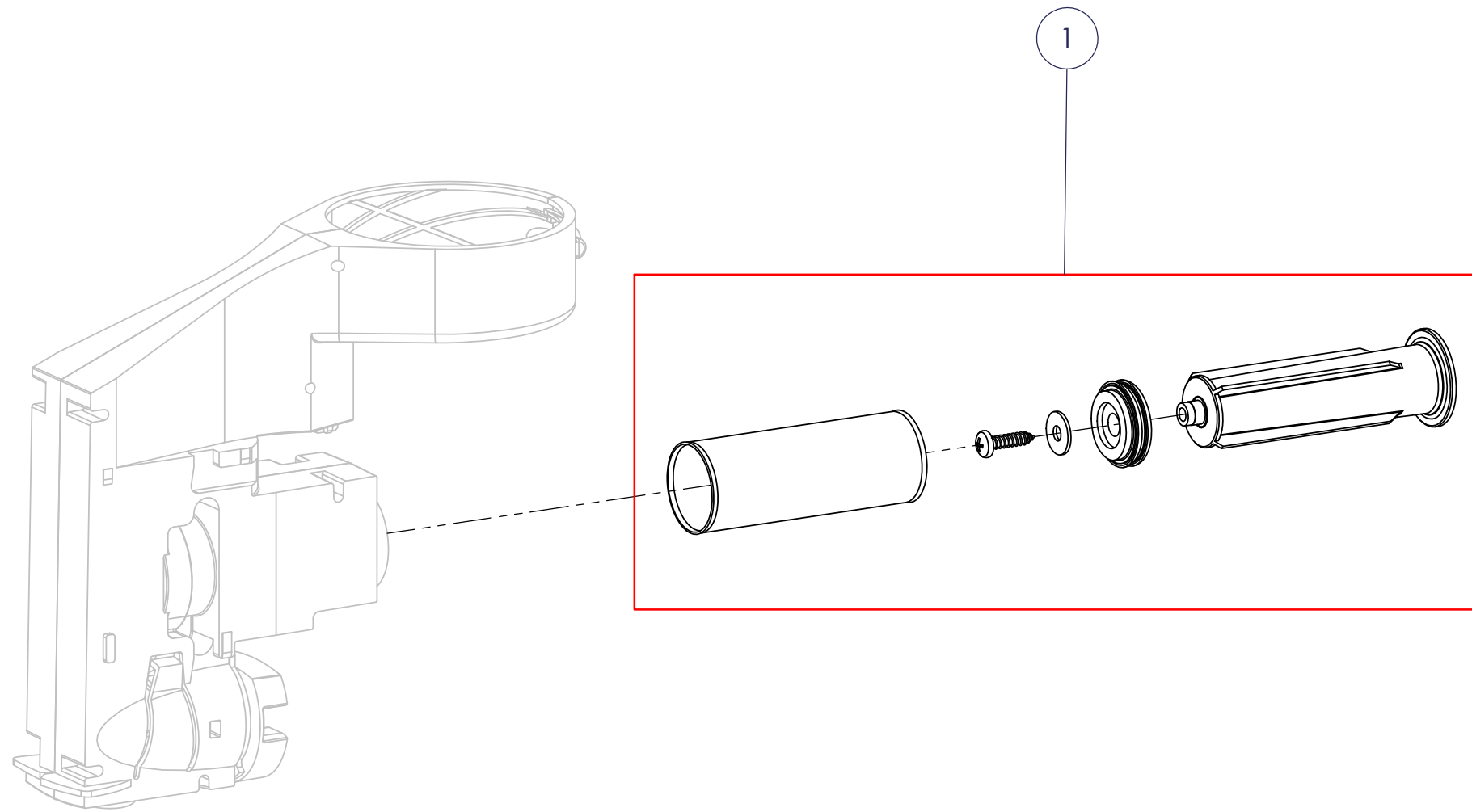
PARTS LIST			
ITEM	PART #	DESCRIPTION	REMARK
1		Canister, 1.3L	Page 7457
2		Pump assembly, 1.3L	Page 7458

7457 Canister, 1.3L



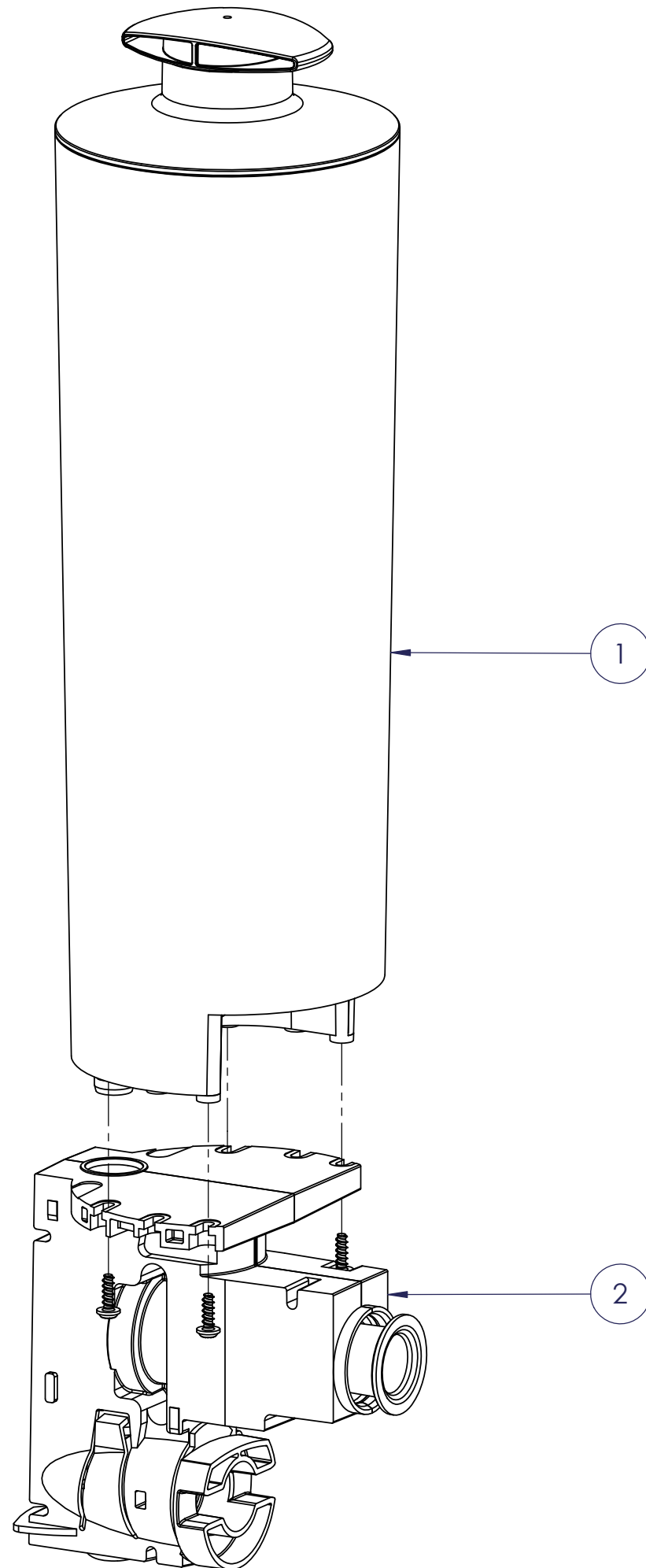
PARTS LIST			
ITEM	PART #	DESCRIPTION	REMARK
1	1818807-SP	Rod agitation(set 4pcs)	
2	1820257-SP	Agitator 1.3L(set 4pcs)	
3	1818815-SP	Cover agitator(set 16pcs)	
4	1818808-SP	Canister lid 2.3L(set 4pcs)	

7458 Pump assembly, 1.3L



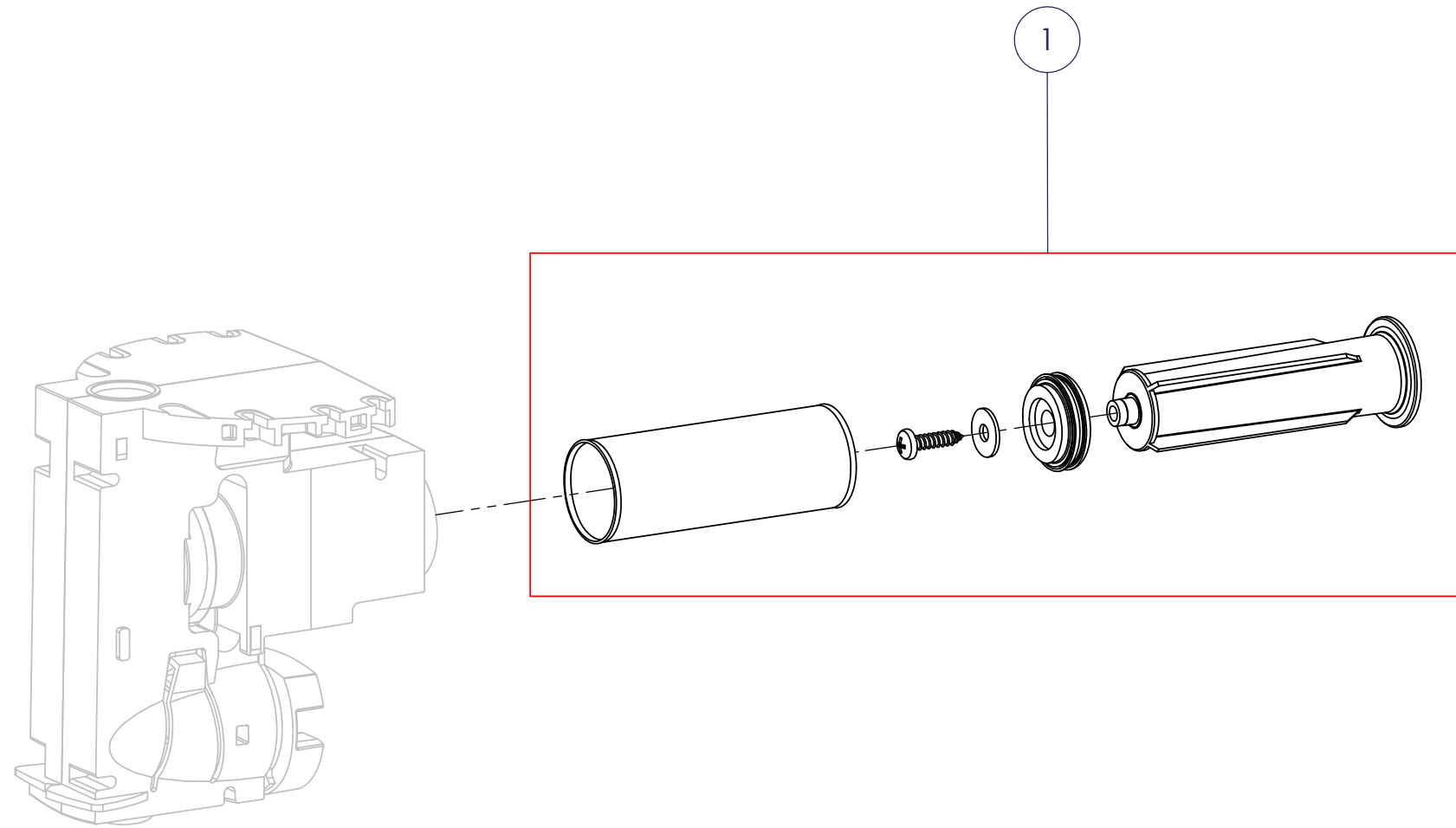
PARTS LIST			
ITEM	PART #	DESCRIPTION	REMARK
1	1818851-SP	Pistonrod + Piston(set 4pcs)	Water based

7460 Pump module, 2.3L



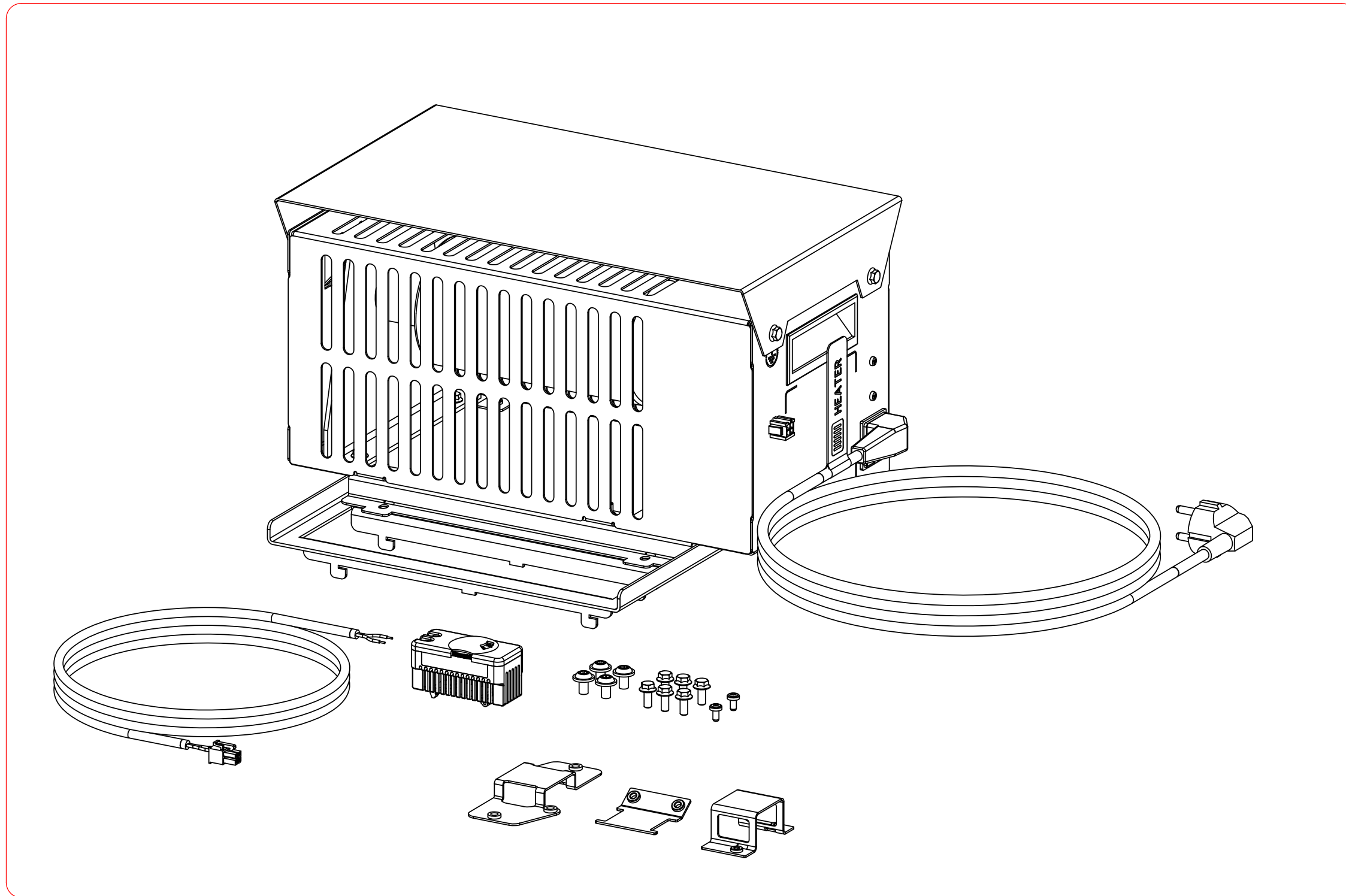
PARTS LIST			
ITEM	PART #	DESCRIPTION	REMARK
1		Canister, 2.3L	Page 7451
2		Pump assembly, 2.3L	Page 7462

7462 Pump assembly, 2.3L



PARTS LIST			
ITEM	PART #	DESCRIPTION	REMARK
1	1818851-SP	Pistonrod + Piston(set 4pcs)	Water based

7470 Heating module 1819274-SP



13

PARTS LIST				
ITEM	PART #	DESCRIPTION	REMARK	QTY
13	1819274-SP	Heating module		