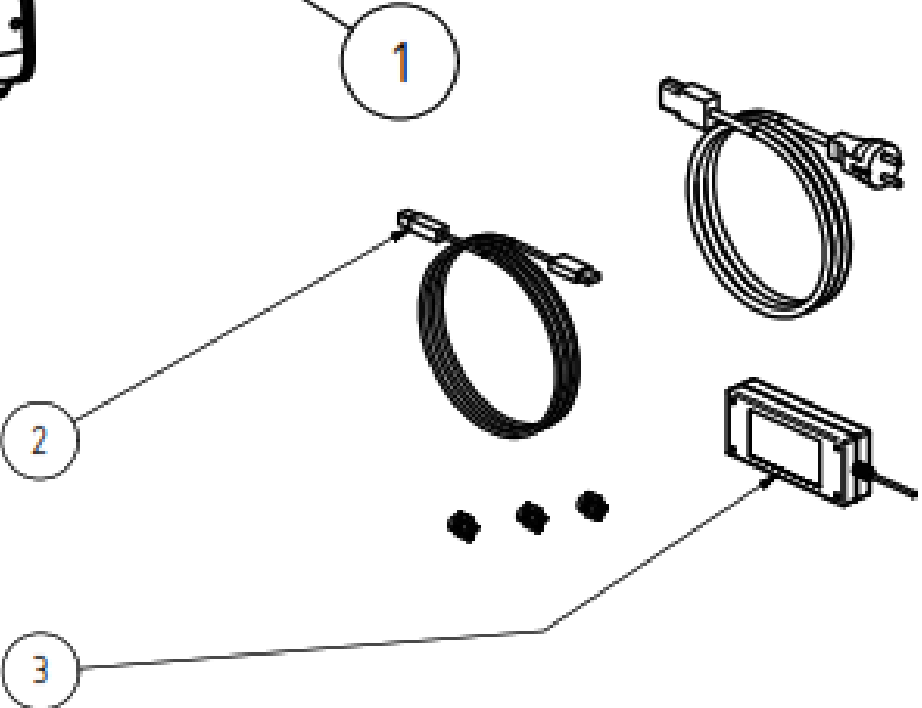
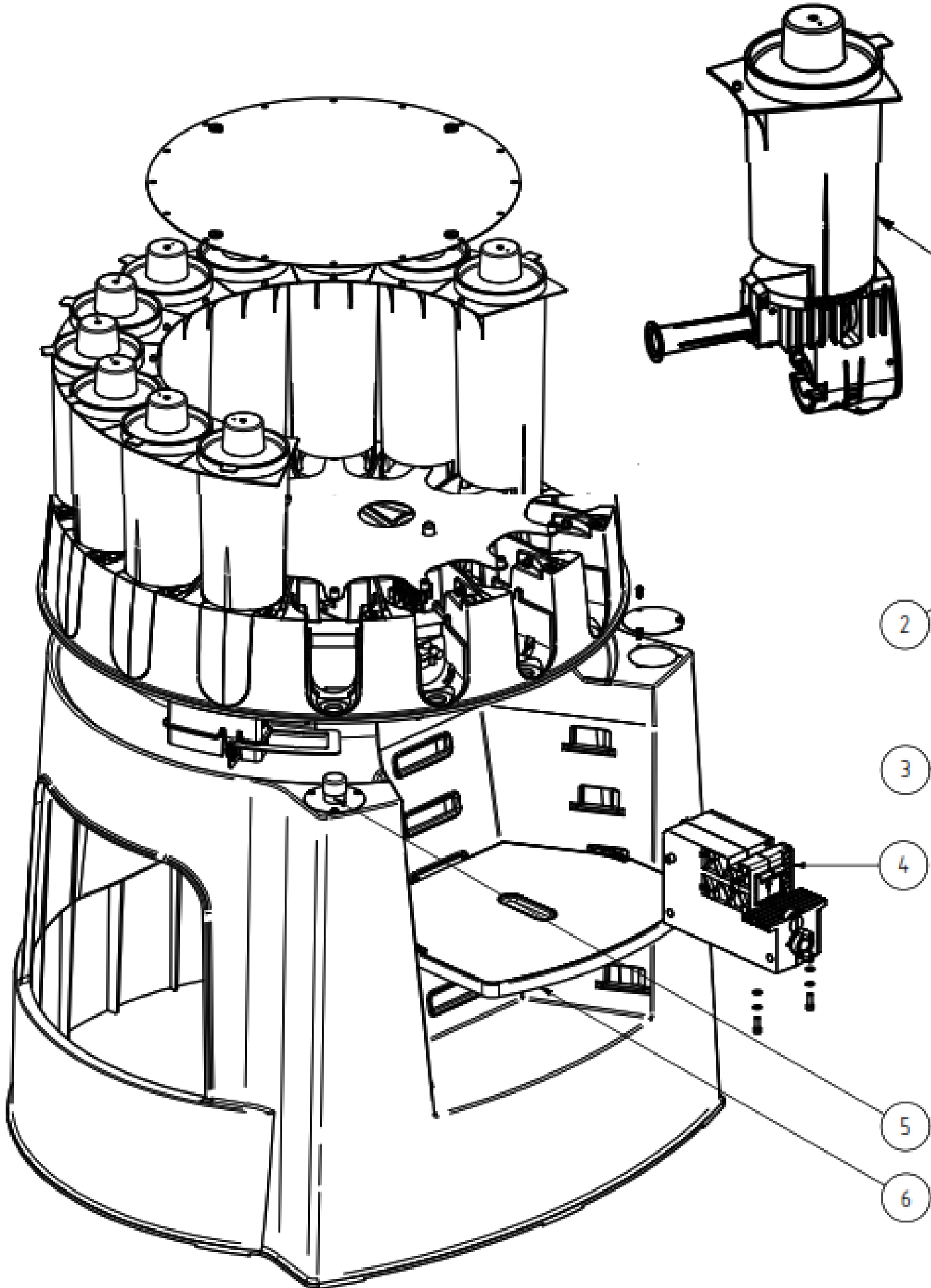


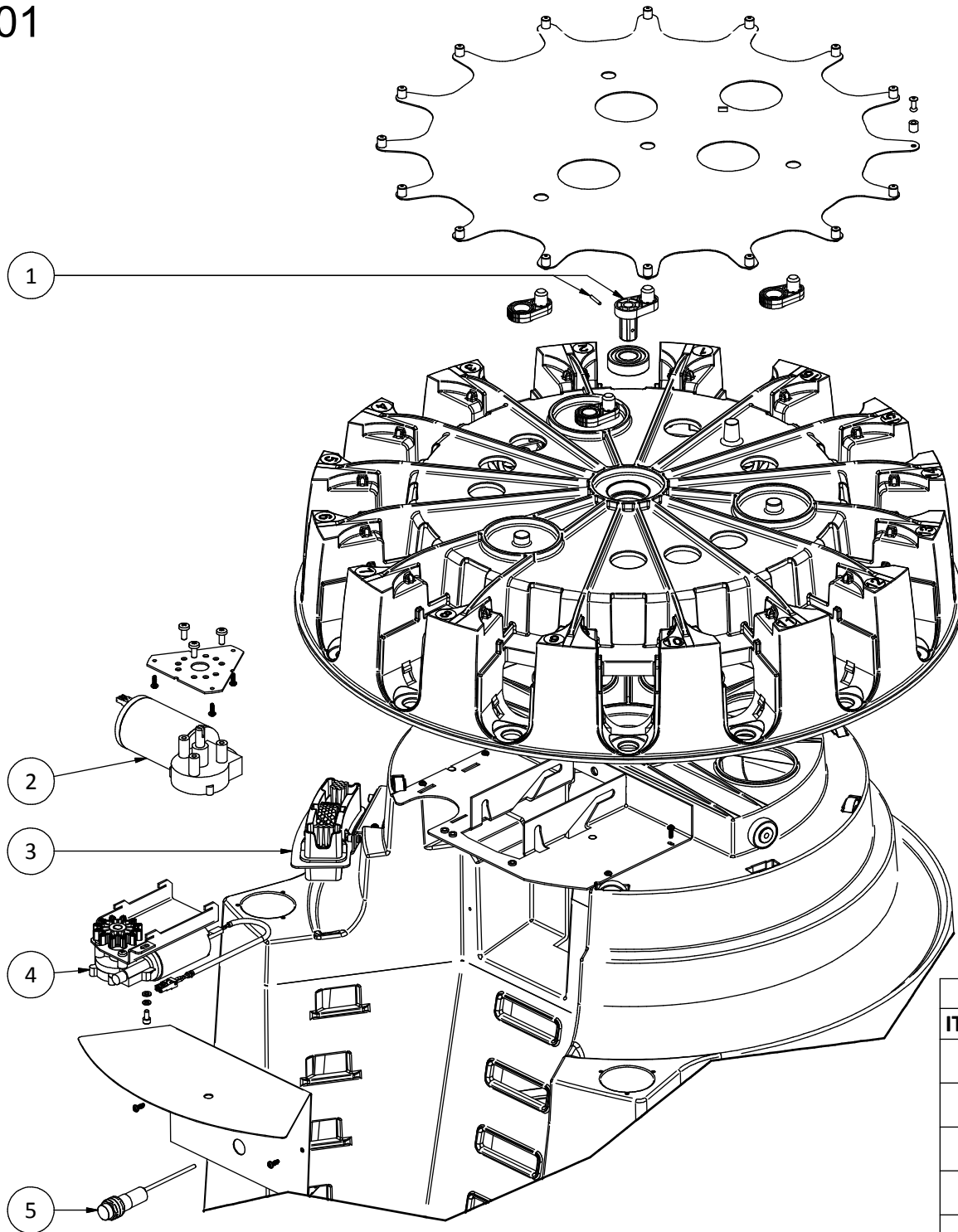
Spare Partbook

Xsmart M

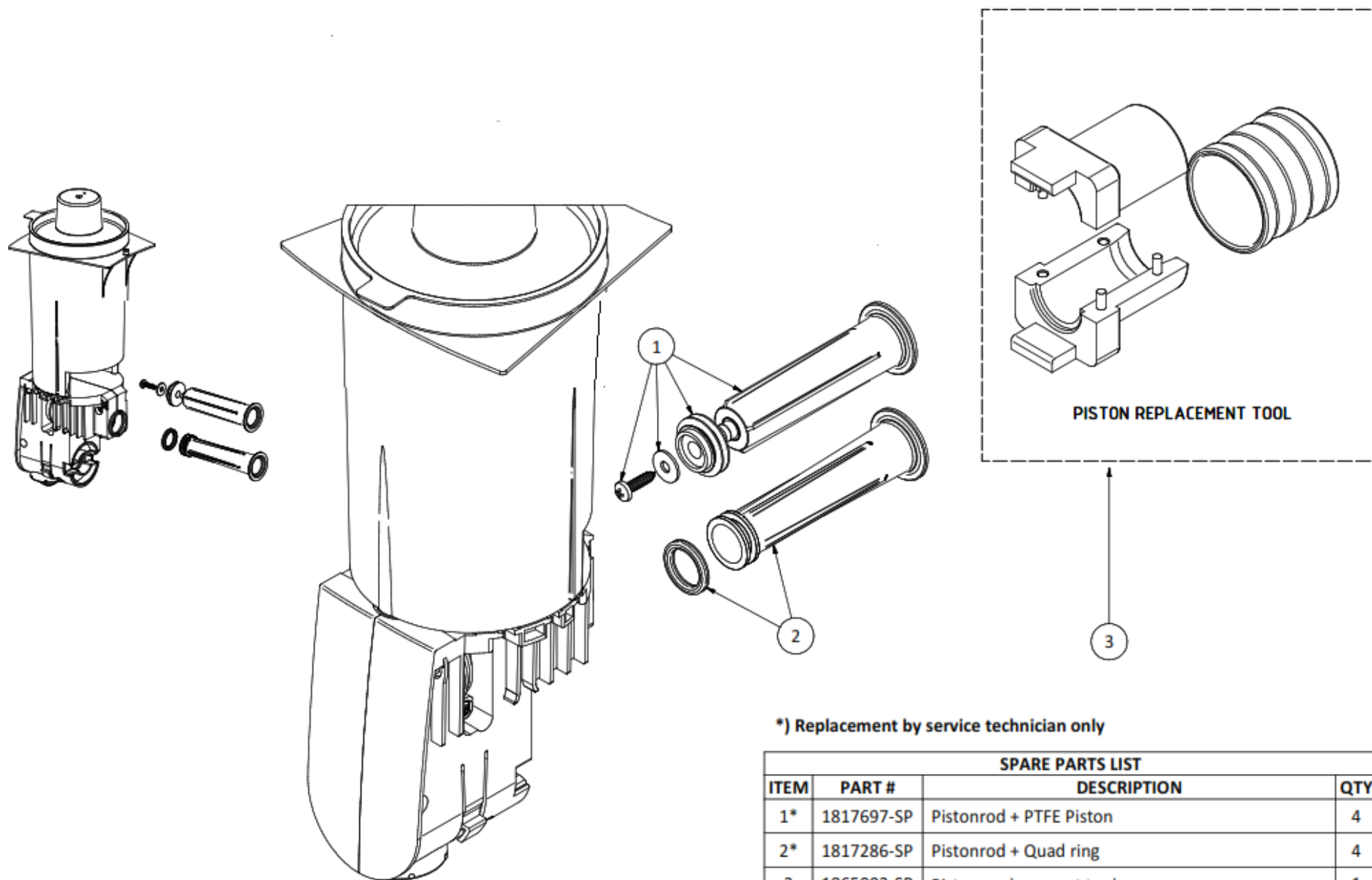




PARTS LIST			
ITEM	PART #	DESCRIPTION	QTY
1	100405-SP	Canister_pump,X-smart, with PTFE Piston	1
1	100406-SP	Canister_Pump,X-smart, with Quad-ring Piston	1
2	1817218-SP	cable,USB-Bm,USB-Am	1
3	1862138-SP	Powersupp,ETC70-24,24vdc	1
3	1865427-SP	Powersupply,24VDC,Xsmart India	1
4	1817811-SP	MDU-assembly	1
5	1817360-SP	EM-Switch, Assembly Non CE	1
6	1830176-SP	Cantable	1

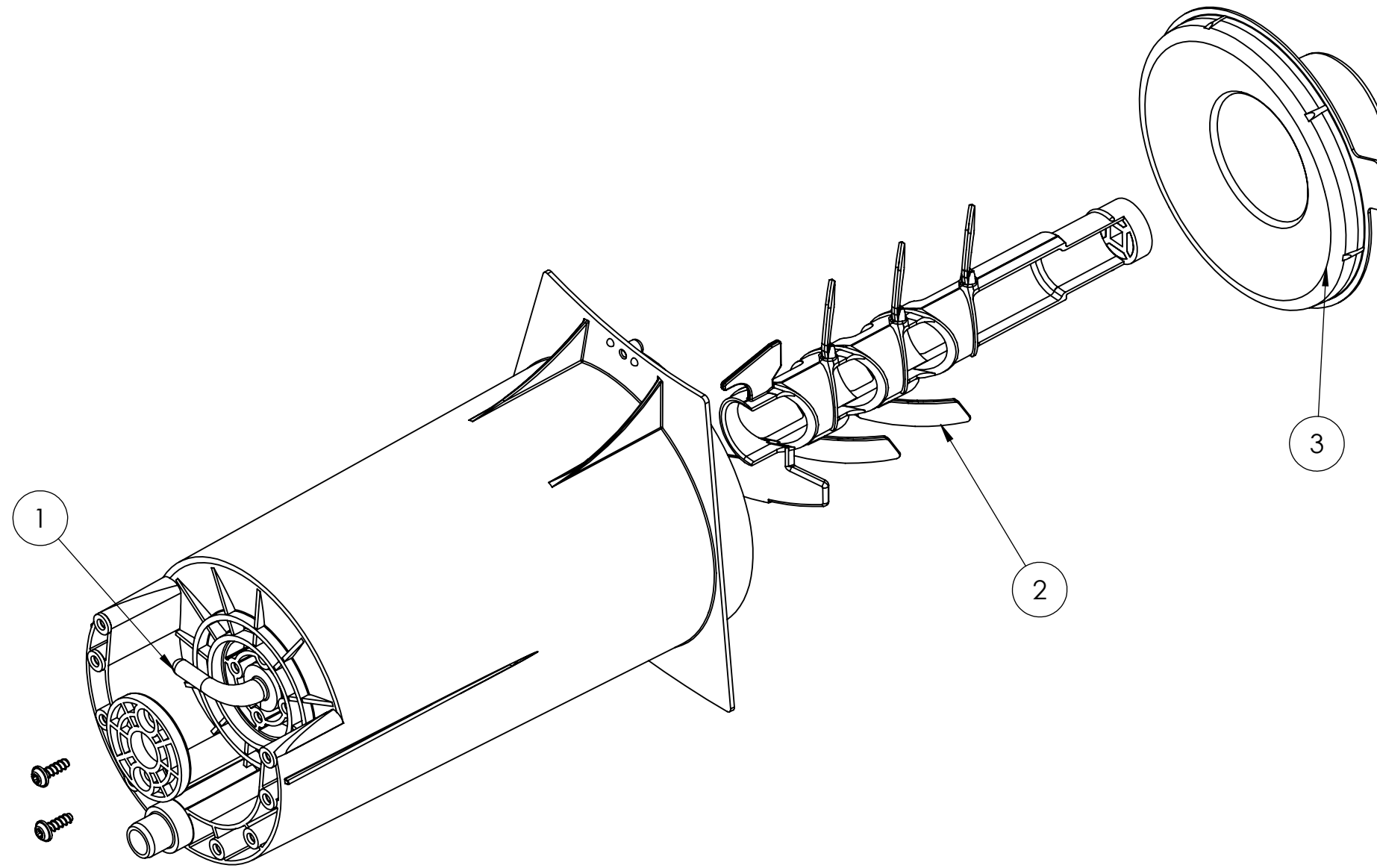


SPARE PARTS LIST			
ITEM	PART #	DESCRIPTION	QTY
1	1816578-SP	Agitation,Cranck,X-smart	2
2	1817364-SP	Motor,agitation,Xsmart	1
3		page 3140 Brush	1
4		page 3135 Motor, turntable	1
5	1865671-SP	Cansensor,Xsmart	1

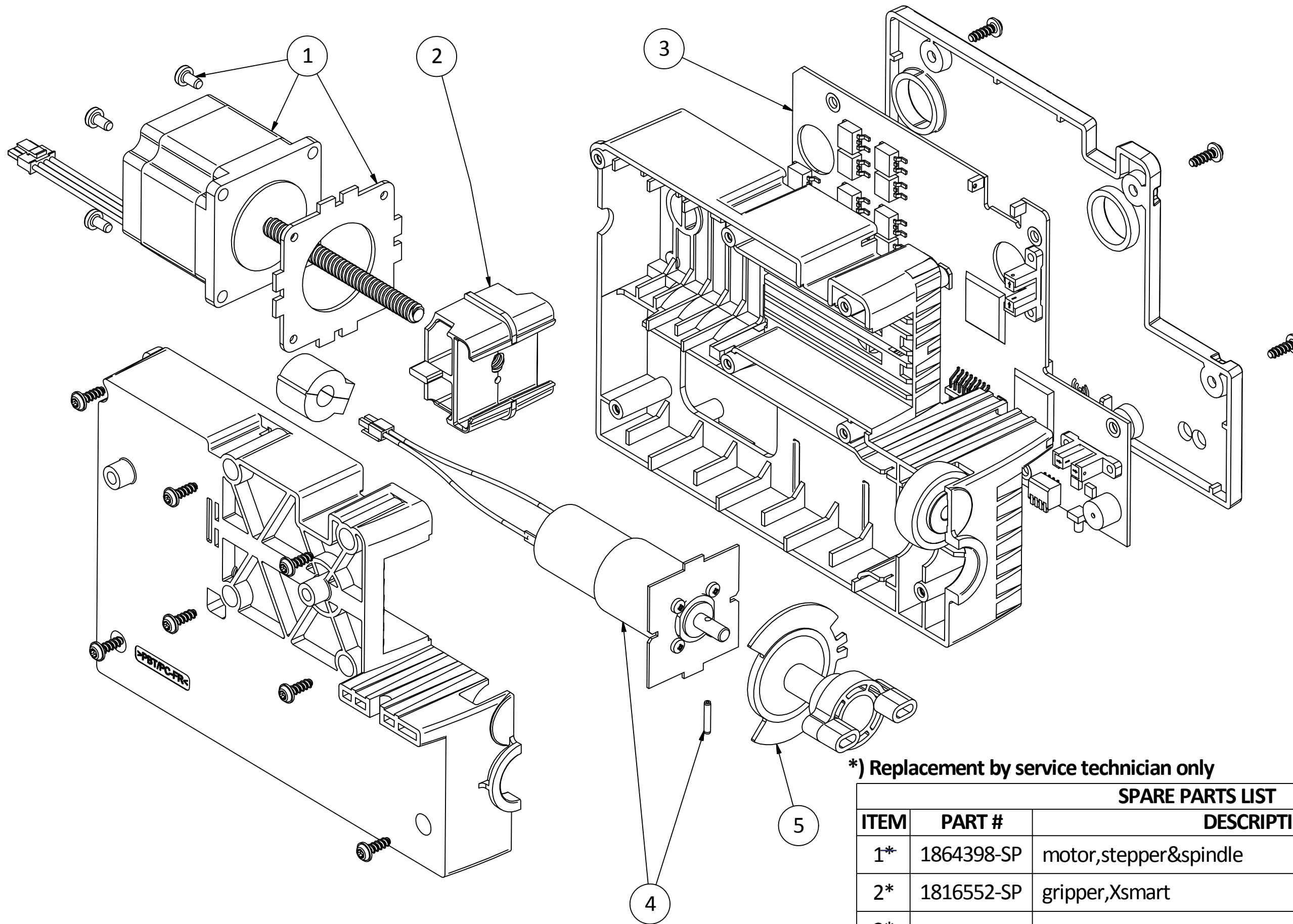


*) Replacement by service technician only

SPARE PARTS LIST			
ITEM	PART #	DESCRIPTION	QTY
1*	1817697-SP	Pistonrod + PTFE Piston	4
2*	1817286-SP	Pistonrod + Quad ring	4
3	1865003-SP	Piston replacement tool	1

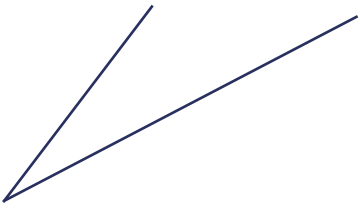
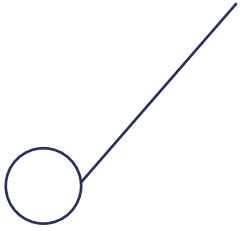


PARTS LIST				
ITEM	PARTS#	DESCRIPTION	REMARK	QTY
1	100368-SP	Rod,agitation,PA-GF30%		1
2	FM200041-SP	Stirrer		1
3	1816581-SP	Lid,Canister 2.3L	1866057-SP for code 670510100 (Solvent)	1

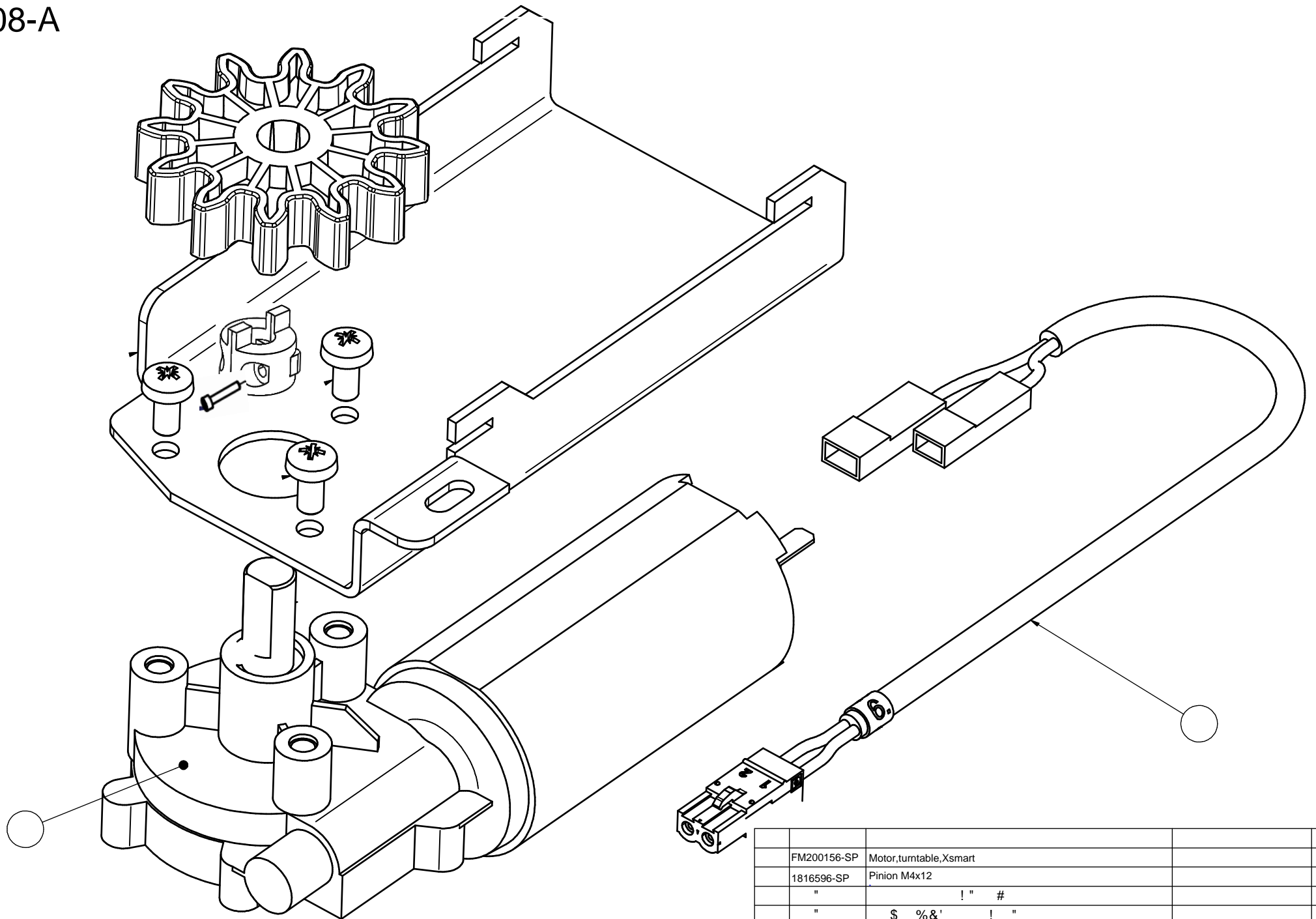


***) Replacement by service technician only**

SPARE PARTS LIST			
ITEM	PART #	DESCRIPTION	QTY
1*	1864398-SP	motor,stepper&spindle	1
2*	1816552-SP	gripper,Xsmart	1
3*	1865750-SP	PCB, Xsmart	1
4*	1817109-SP	Motor,valve,24VDC,20RPM	1
5*	1816593-SP	Valve Actuator, X-smart	2

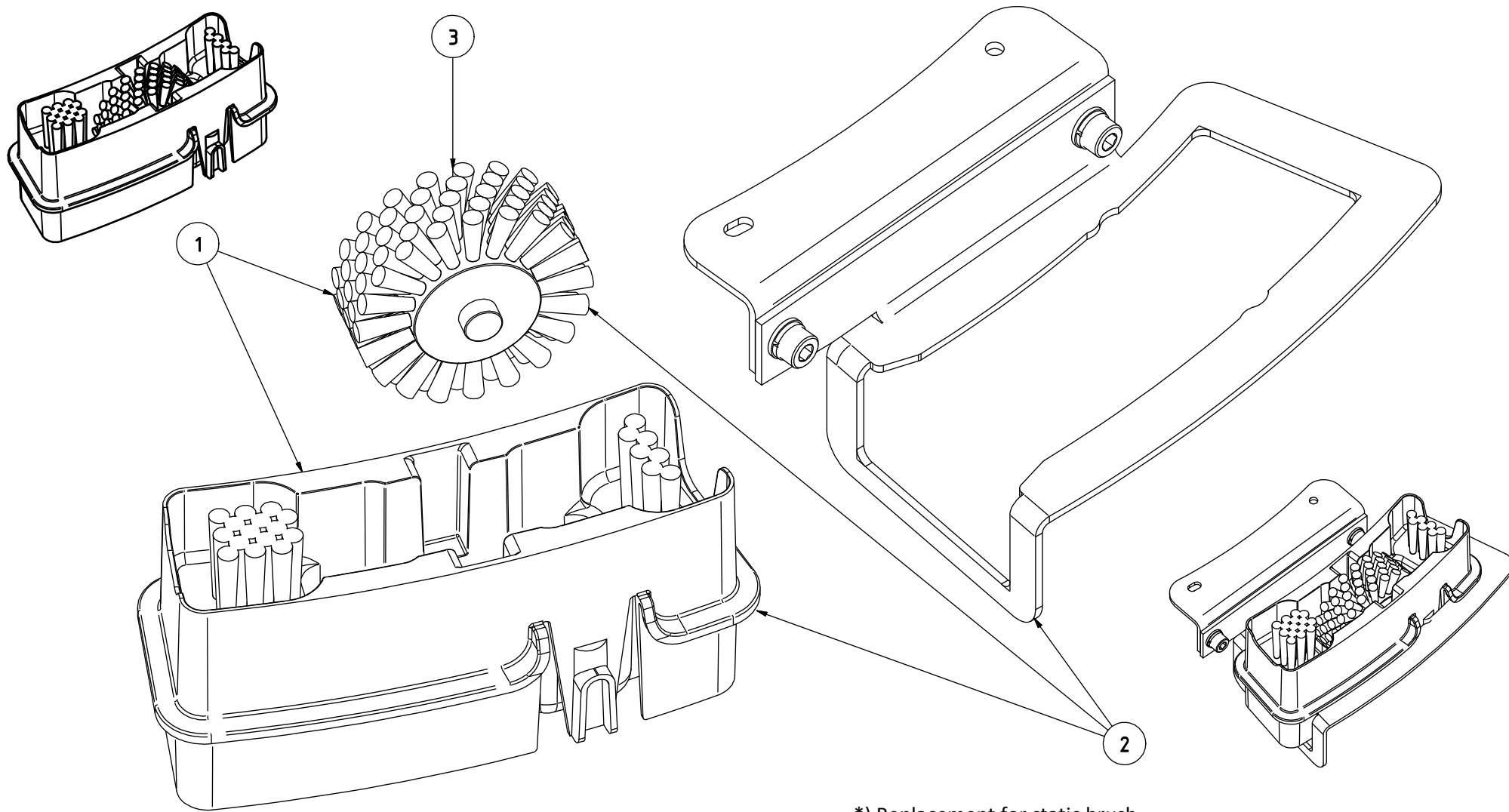


3008-A



	FM200156-SP	Motor,turtable,Xsmart		
	1816596-SP	Pinion M4x12		
	"	!"#		
	"	\$ %&' !"		
	"	()		
	"	# (*)		

7	1865861	TT Motor Coupling + Key		1
8	2810061	Screw M4x12		2

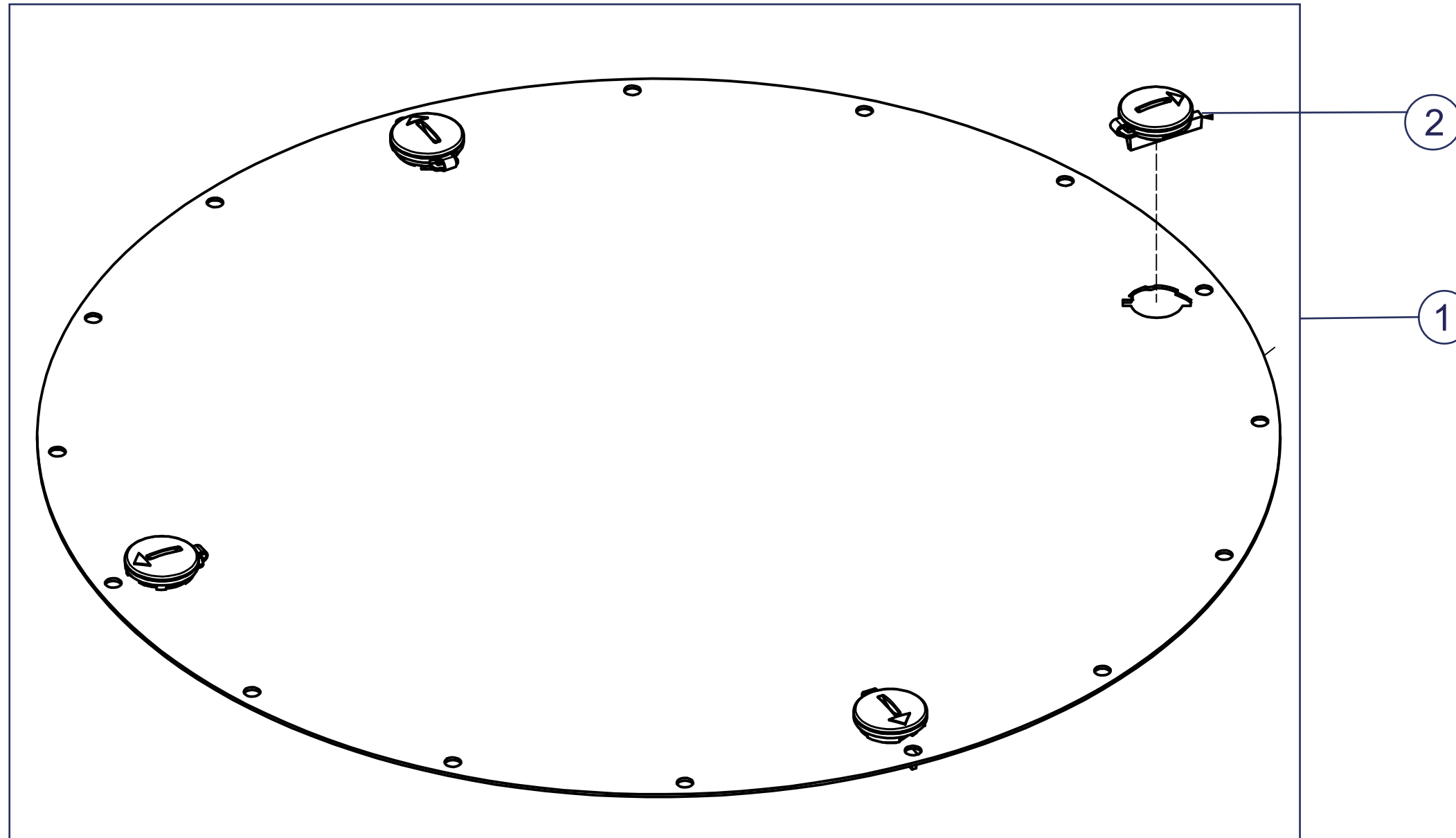


*) Replacement for static brush

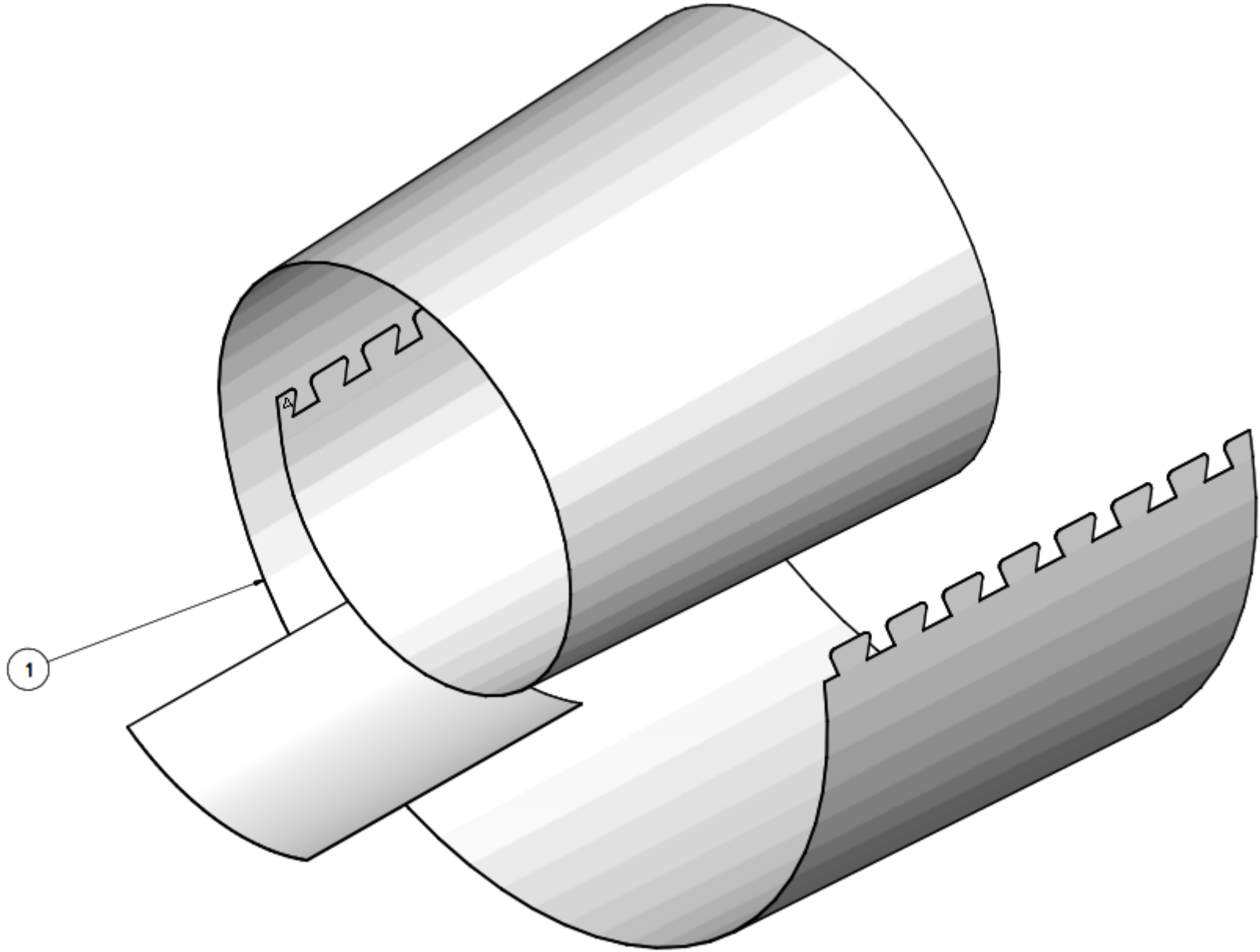
PARTS LIST				
ITEM	PART #	DESCRIPTION	REMARK	QTY
1	1817512-SP	Rotary Brush		1
2*	1817518-SP	Rotary Brush incl brackets		1
3	1817385-SP	Brush,X-smart	1820393-SP for code 670510100(Solvent)	1

3145-A

From SN CE-69781 F onwards



PARTS LIST				
ITEM	PART NUMBER	DESCRIPTION	REMARKS	QTY
1	1819477-SP	Canister plate,top		1
2	1819589-SP	Latch, polymeric		4



SPARE PARTS LIST			
ITEM	PART #	DESCRIPTION	QTY
1	100370-SP	Wrap,1.2mm,X-smart	1