

# Spare Parts book SK300CE

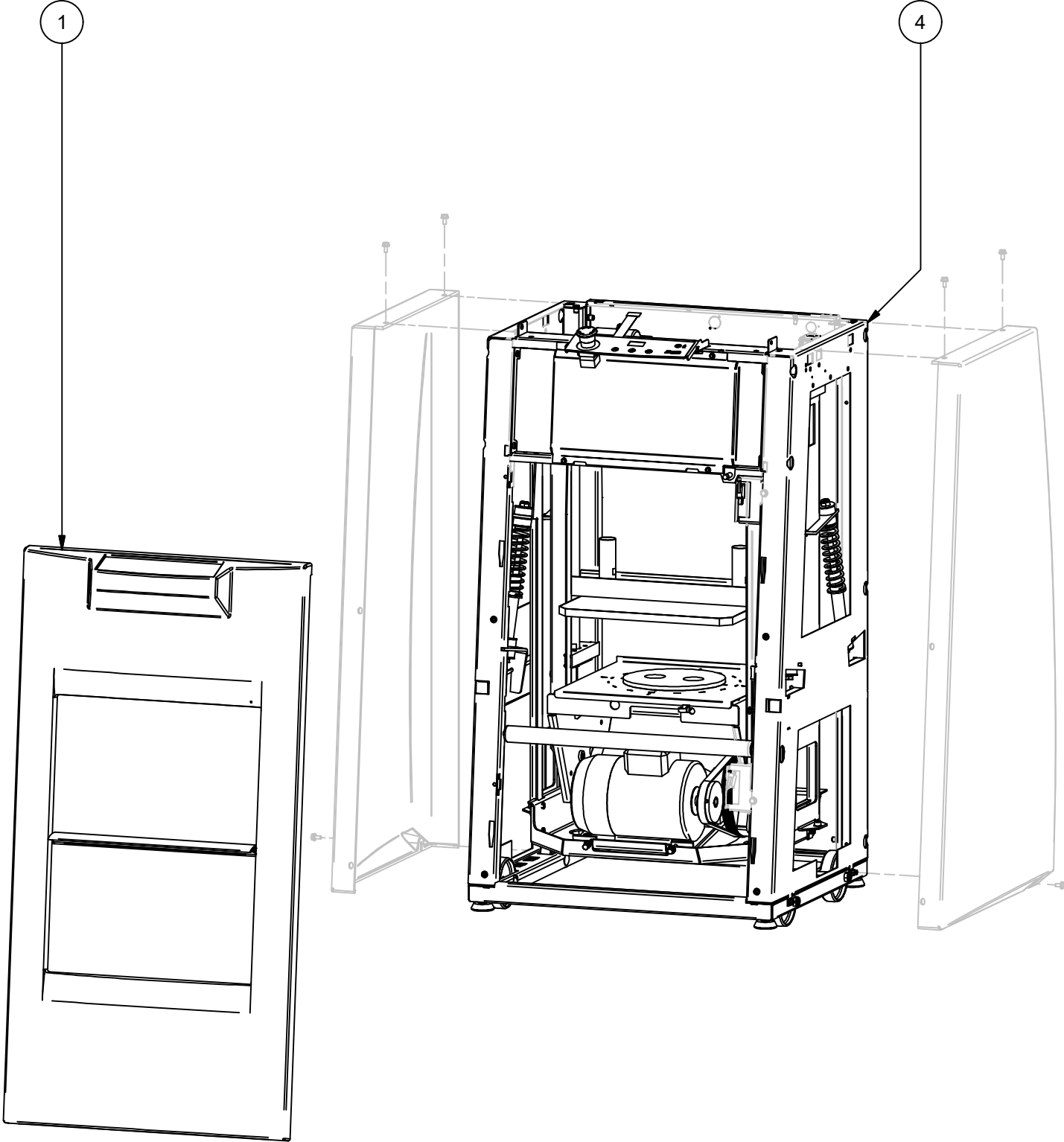


# INDEX

Description	Remarks	Chapter
General assembly.....	.....	1
Main assy's.....	.....	2
Door .....	.....	3
Outer frame.....	.....	4
Clamping frame .....	.....	5
Spindle assy.....	.....	5.1
Clamping motor.....	.....	5.2
Motor frame.....	.....	6
Crank .....	.....	6.1
Super-Strut.....	.....	6.2
Power unit.....	.....	7
SLIDING TRAY ASSEMBLY .....	.....	8

# SK300CE

## Chapter 1 General assembly



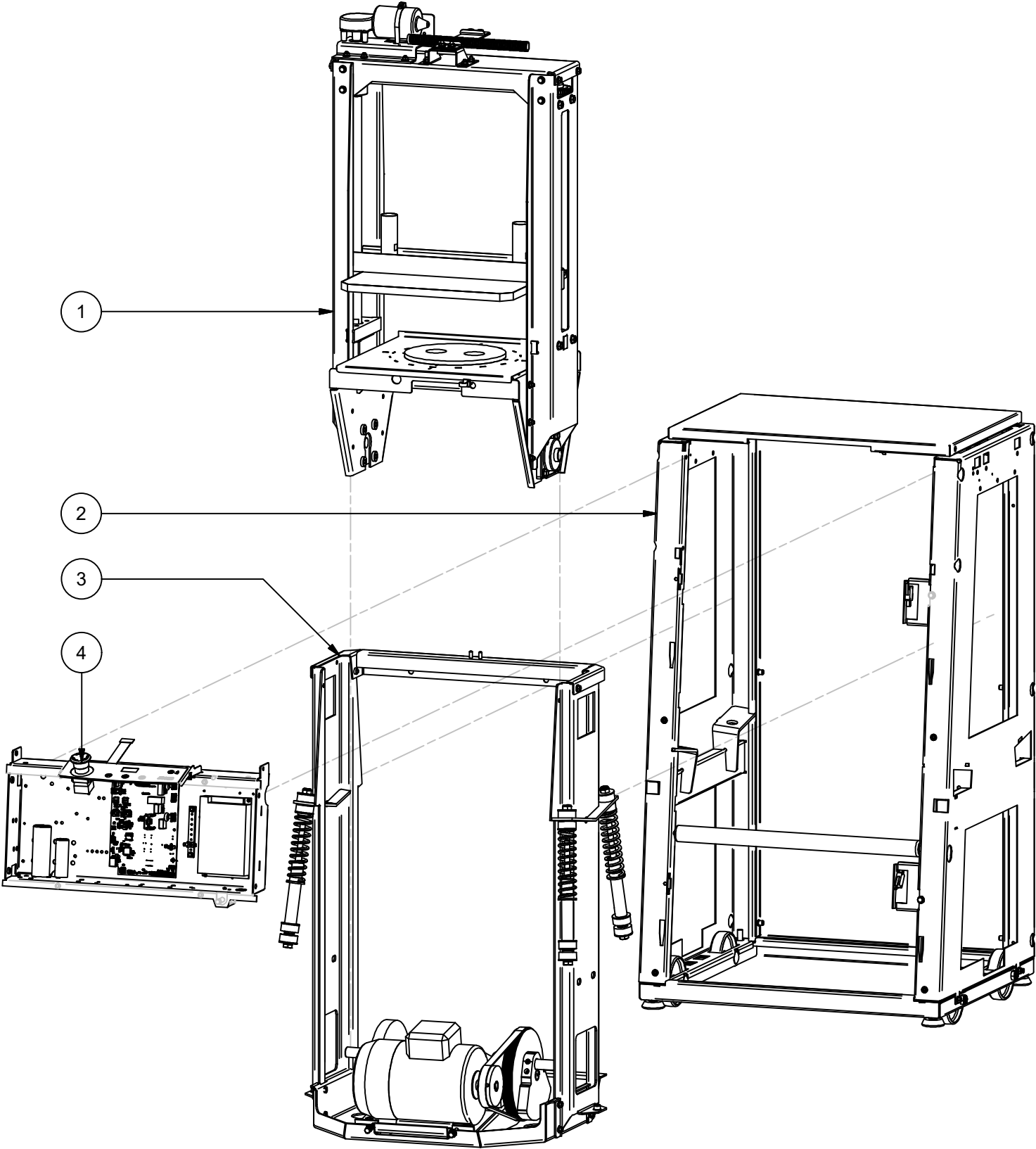
# SK300CE

## Chapter 1 General assembly

SPARE PARTS LIST			
ITEM	SPARE PART NUMBER	DESCRIPTION	REMARKS
1	1862496-SP	S0/SK,door,assy,manual	Chapter 3
4		Main assy's	Chapter 2

# SK300CE

## Chapter 2 Main assy's



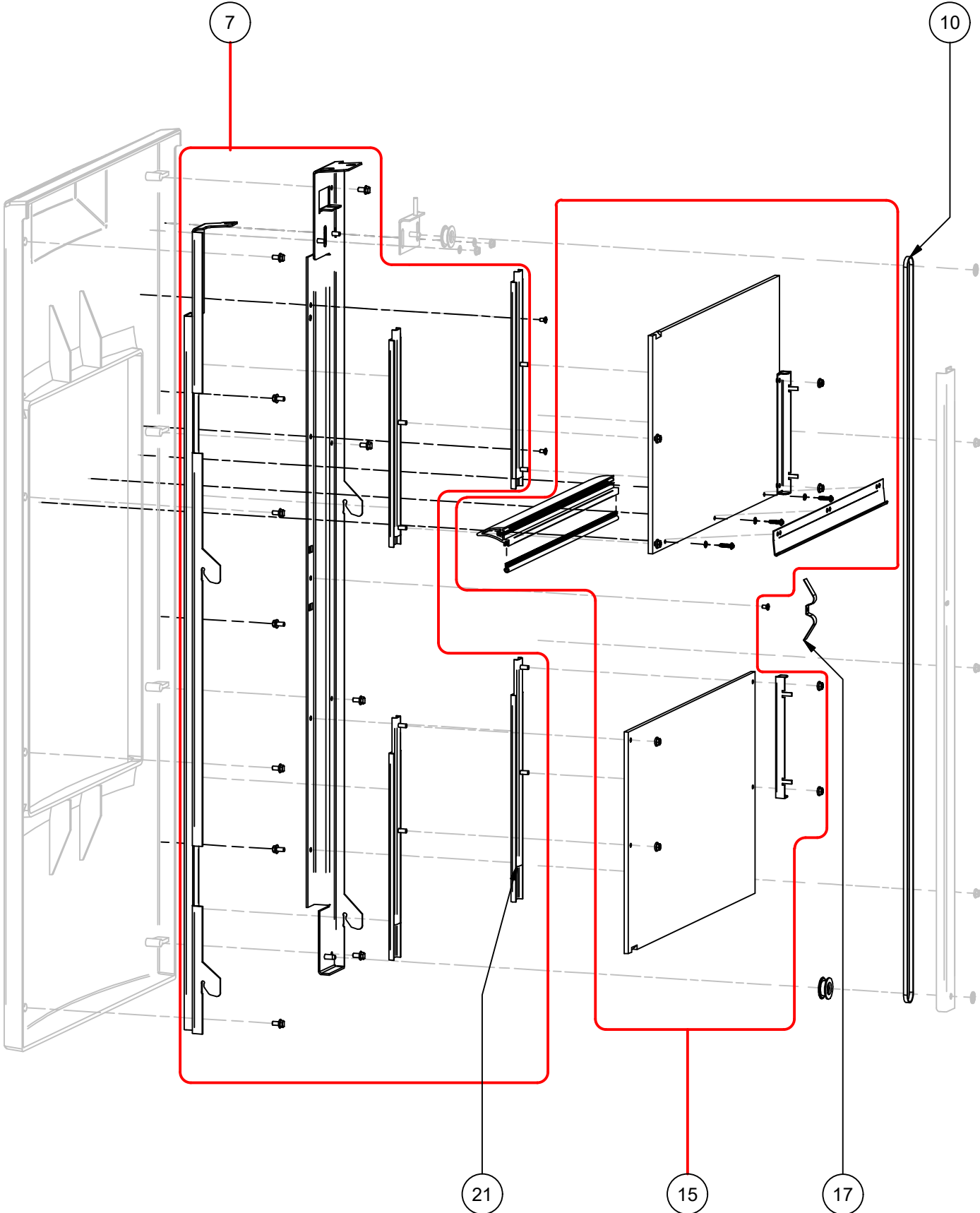
# SK300CE

## Chapter 2 Main assy's

SPARE PARTS LIST			
ITEM	SPARE PART NUMBER	DESCRIPTION	REMARKS
1		Clamping frame	Chapter 5
2		Outer frame	Chapter 4
3		Motor frame	Chapter 6
4		Power unit	Chapter 7

# SK300CE

## Chapter 3 Door



# SK300CE

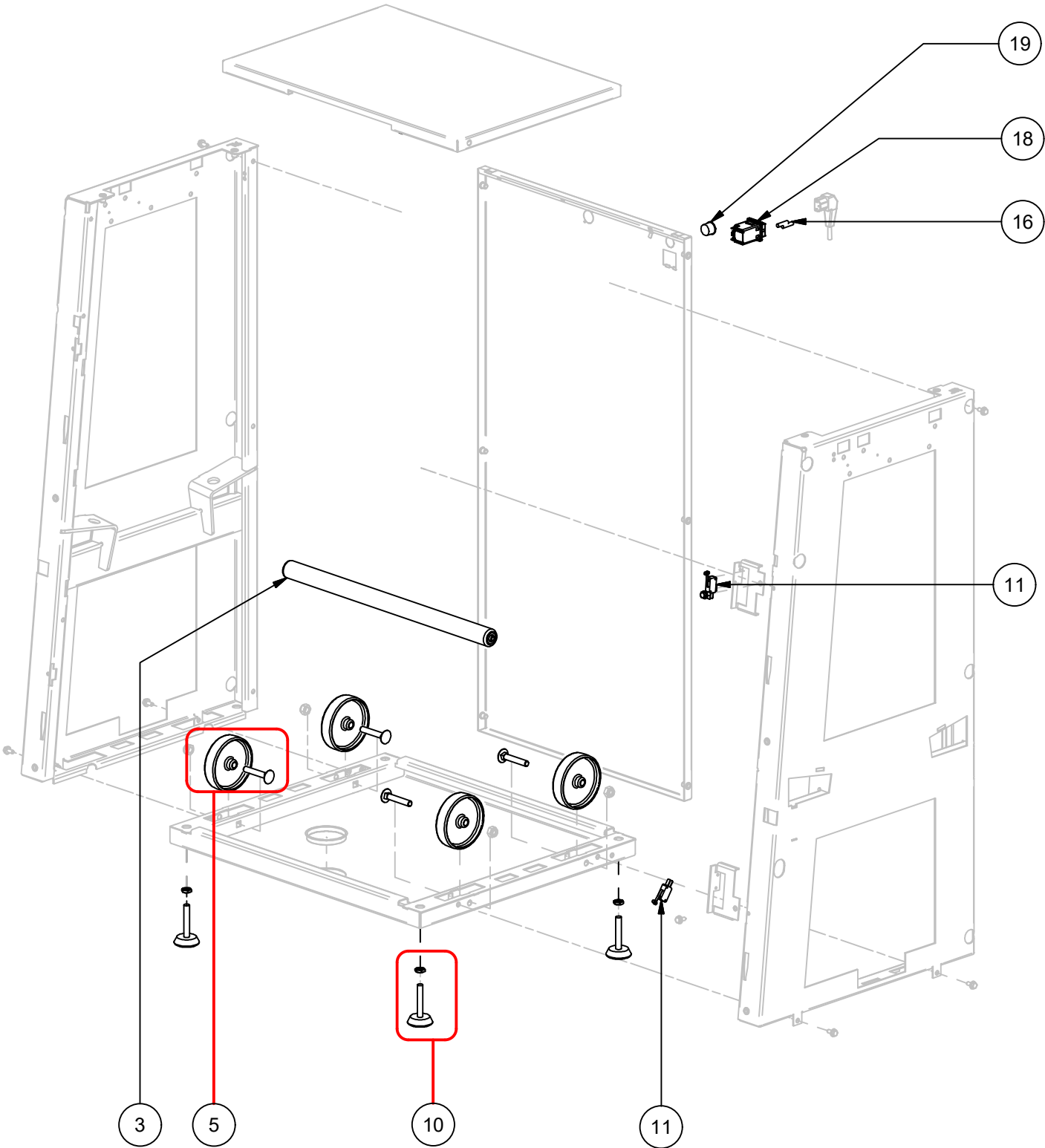
## Chapter 3 Door

SPARE PARTS LIST			
ITEM	SPARE PART NUMBER	DESCRIPTION	REMARKS
7	1809990-SP	Guiding,door,set,S0/SK	
10	1810429-SP	Belt,door,S0/SK	
15	1809790-SP	Door>window,assy,S0/SK	
17	1811350-SP	Spring,leaf,door,S0/SK	
21	1865768-SP	Door,slide,SK,4 pcs	



# SK300CE

## Chapter 4 Outer frame



# SK300CE

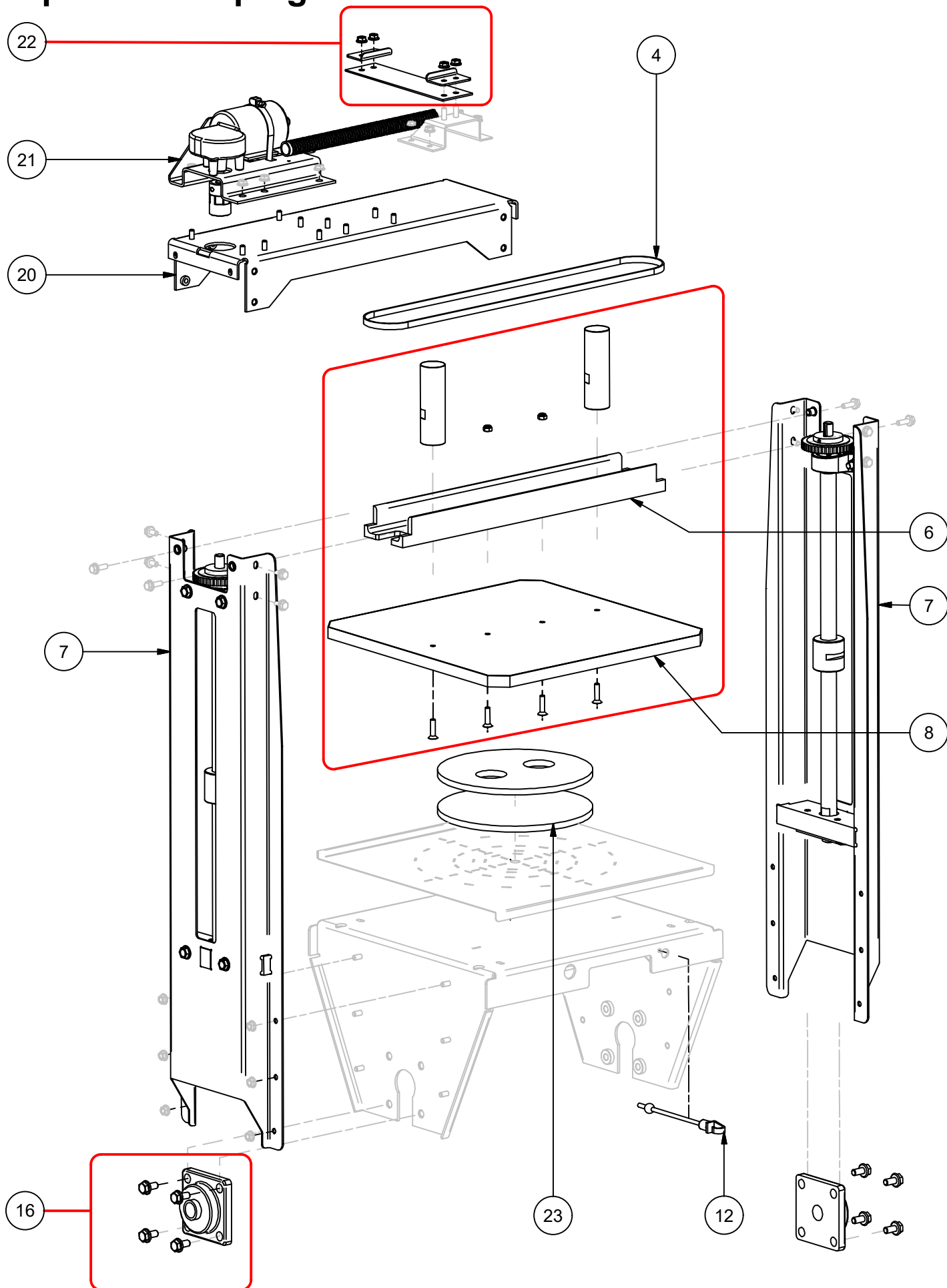
## Chapter 4 Outer frame

SPARE PARTS LIST

ITEM	SPARE PART NUMBER	DESCRIPTION	REMARKS
3	1864248-SP	Roller, adjustable,SK	
5	1860277-SP	Wheel,nylon+bolt's&nut's,4pcs	
10	1862594-SP	Foot,plastic,M10x60(set 4 pcs)	
11	1160200-SP	Switch,micro,V-166-105(R)	
16	1602782-SP	Fuse,10A,set,10pcs	
18	1818326-SP	Net entry-line filter	
19	1818182-SP	Switch,on-of,round rocker	

# SK300CE

## Chapter 5 Clamping frame



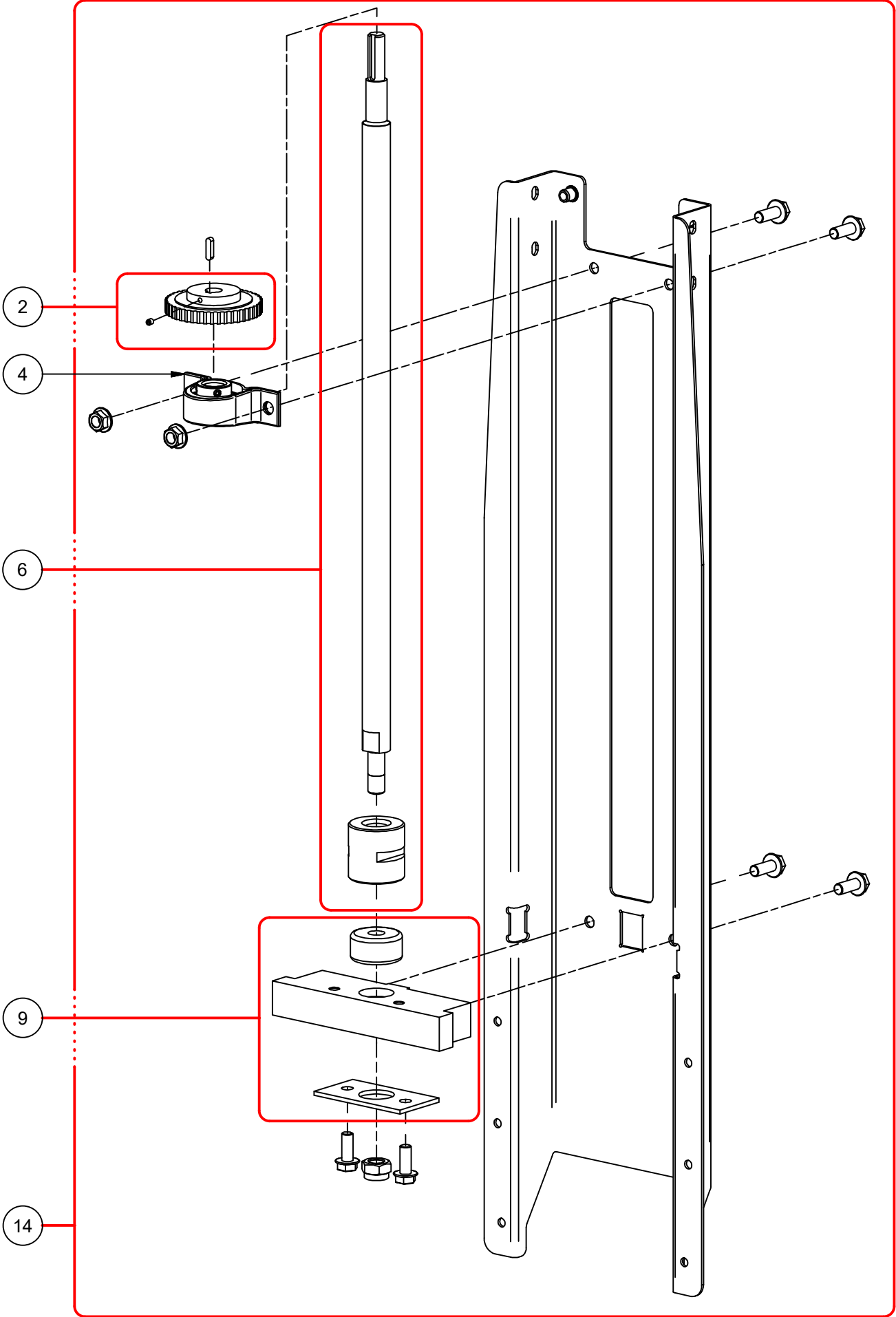
# SK300CE

## Chapter 5 Clamping frame

SPARE PARTS LIST			
ITEM	SPARE PART NUMBER	DESCRIPTION	REMARKS
4	1862173-SP	V-belt,clamp,S0/SK	
6	1809674-SP	Profile,plate,clamp,S0/SK	
7		Spindle,assy,S0/SK (2pcs)	Chapter 5.1
8	1815253-SP	Top plate with rubber	
12	1862518-SP	Hook,assy,S0/SK	
16	1862580-SP	Bearing,UCF+bolt's,set2pcs.	
20	1810315-SP	Plate,motor,clamp,S0/SK	
21		Clamping motor	Chapter 5.2
22	1810488-SP	Leafspring,set,S0/SK	
23	5109020-SP	Disc,foam,set(f170mm)	

# SK300CE

## Chapter 5.1 Spindle assy



# SK300CE

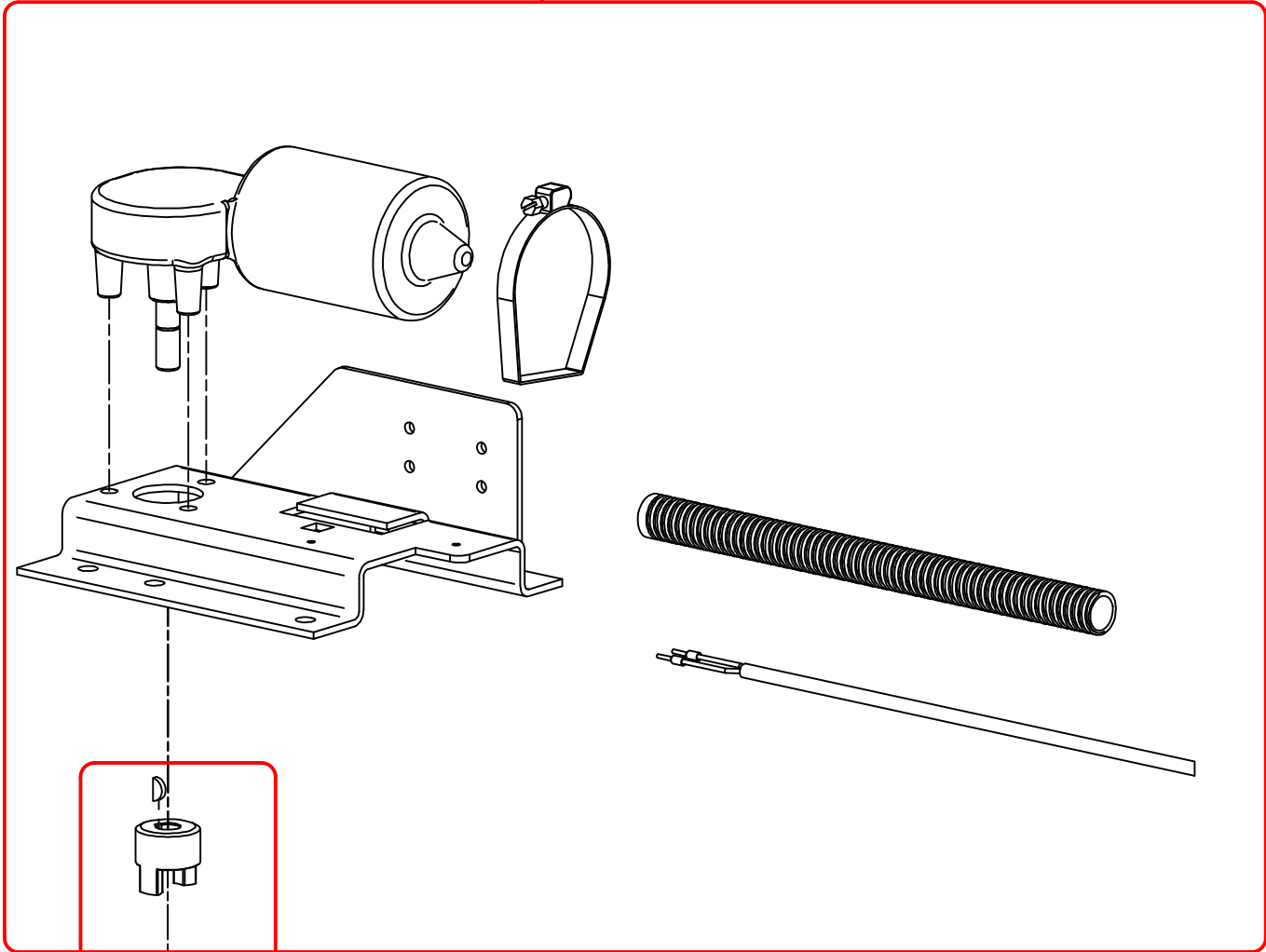
## Chapter 5.1 Spindle assy

SPARE PARTS LIST			
ITEM	SPARE PART NUMBER	DESCRIPTION	REMARKS
2	1809678-SP	Pulley,spindle,clamp,S0/SK	
4	1862167-SP	Bearing,PBY15,2pcs,S0/SK	
6	1809679-SP	Spindle+nut,assy,S0/SK (2pcs)	
9	1809654-SP	Bearing,set,2pcs,S0/Sk	
14	1862506-SP	Spindle,assy,S0/SK (2pcs)	

# SK300CE

## Chapter 5.2 Clamping motor

11



12

# SK300CE

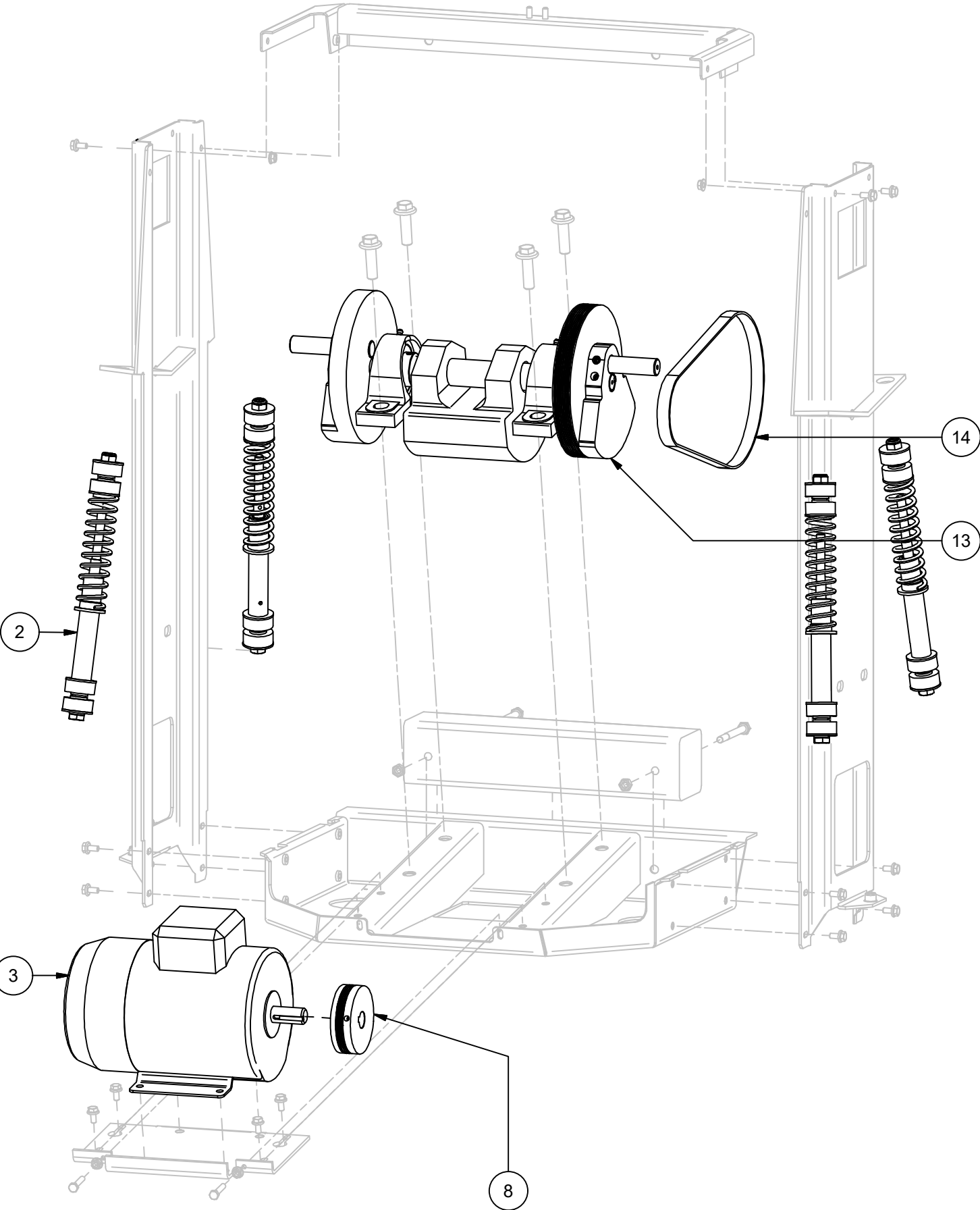
## Chapter 5.2 Clamping motor

PARTS LIST			
ITEM	SPARE PART NUMBER	DESCRIPTION	REMARKS
11	1864796-SP	Clamp,motor,assy,SK350	
12	1864220-SP	Coupling,buffer set SK3/4/550	



# SK300CE

## Chapter 6 Motor frame



# SK300CE

## Chapter 6 Motor frame

SPARE PARTS LIST			
ITEM	SPARE PART NUMBER	DESCRIPTION	REMARKS
2	1864139-SP	Super-strut,SK350/450/550,4pcs	Chapter 6.2
3	1864240-SP	Motor,shake,Wonder,0.75kW	
8	1864230-SP	Pulley,D82,680rpm,SK280/350	
13	1809465-SP	Crank,assy,S0/SK	Chapter 6.1
14	1864239-SP	V-belt,shakemotor	

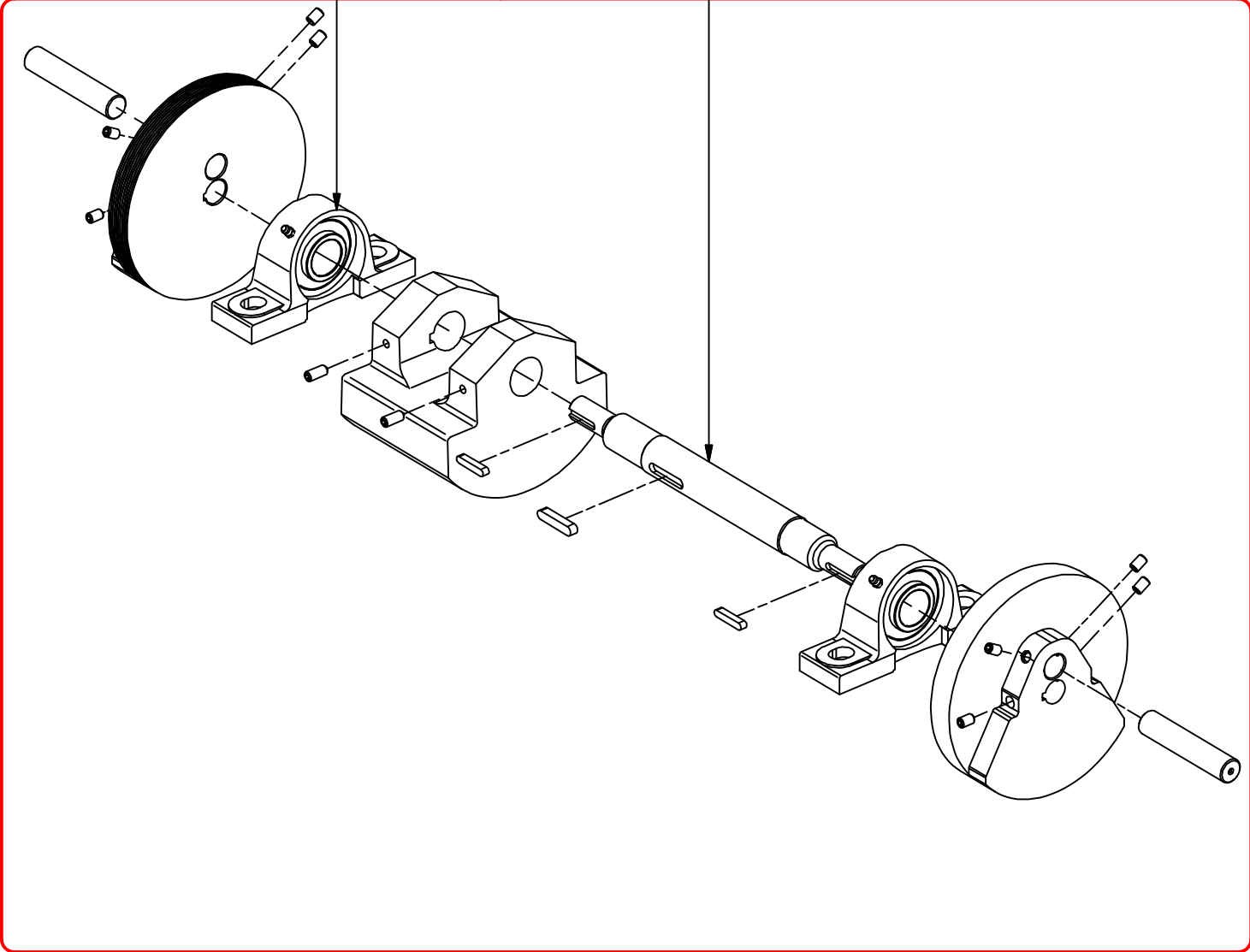
# SK300CE

## Chapter 6.1 Crank

3

12

5



# SK300CE

## Chapter 6.1 Crank

SPARE PARTS LIST			
ITEM	SPARE PART NUMBER	DESCRIPTION	REMARKS
3	1864088-SP	Bearing, RASEY30 JIS	



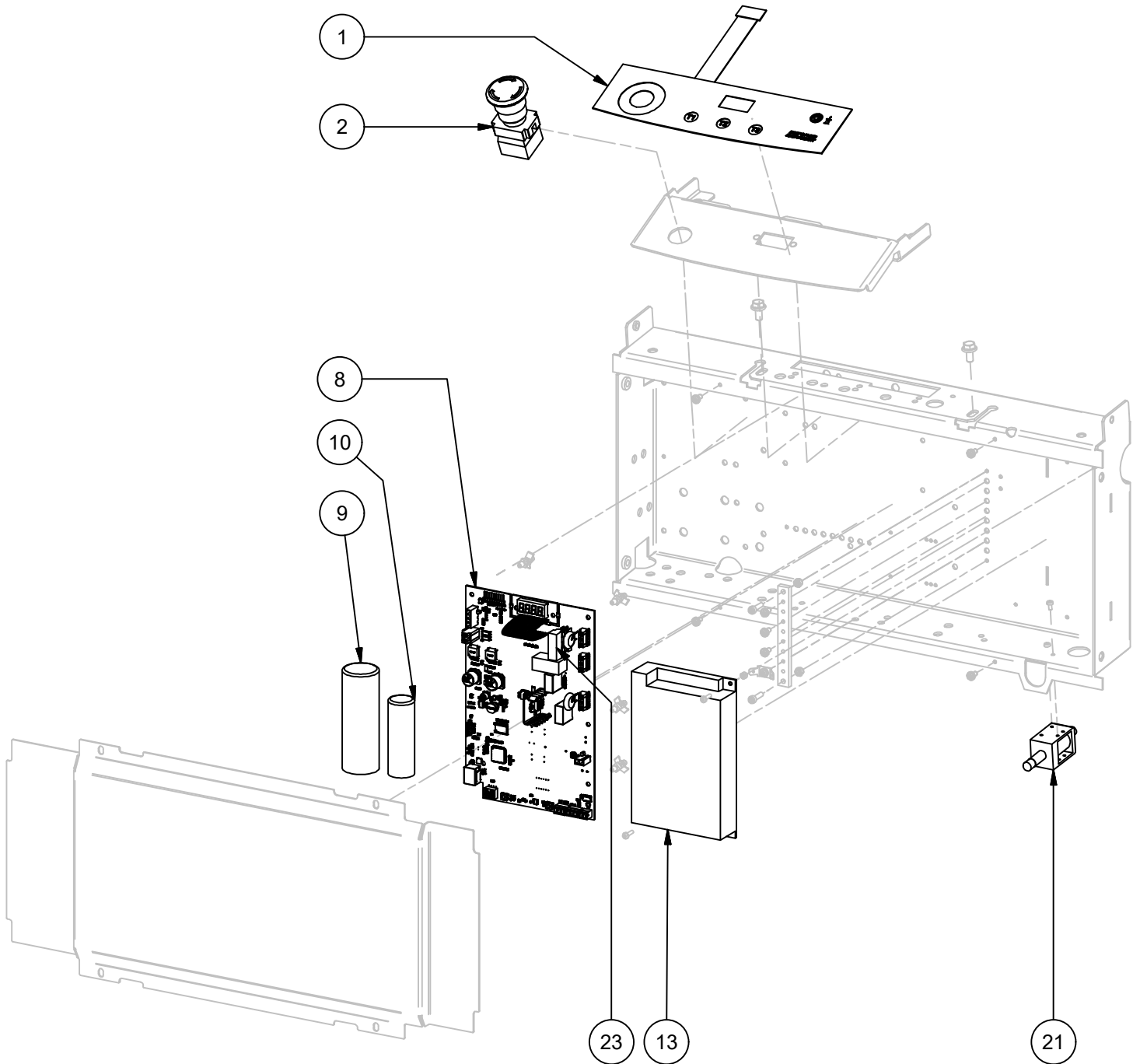
# SK300CE

## Chapter 6.2 Super-strut

SPARE PARTS LIST			
ITEM	SPARE PART NUMBER	DESCRIPTION	REMARKS
10	1864139-SP	Super-strut,SK350/450/550,4pcs	
11	1864025-SP	Strut,spacer&grommet,kit(4pcs)	

# SK300CE

## Chapter 7 Power unit



# SK300CE

## Chapter 7 Power unit

SPAR PARTS LIST			
ITEM	SPARE PART NUMBER	DESCRIPTION	REMARKS
1	1819846-SP	Keyboard Foil, SK	
2	1864094-SP	Emergency,switch,complete	
8	1865843-SP	Powerboard,SK300-350 V3 FULL	
9	1864493-SP	Starting Capacitor For Wonder	
10	1864485-SP	Running Capacitor Wonder Motor	
13	1819856-SP	Powersupply LRS-150	
21	1860672-SP	Solenoid	
23	1865760-SP	Fuse,2AT,250V,5x20mm,set10pcs	



# SK300CE

## Chapter 8 SLIDING TRAY ASSEMBLY

SPAR PARTS LIST			
ITEM	SPARE PART NUMBER	DESCRIPTION	REMARKS
	FM0505K	SLIDING TRAY ASSEMBLY	

