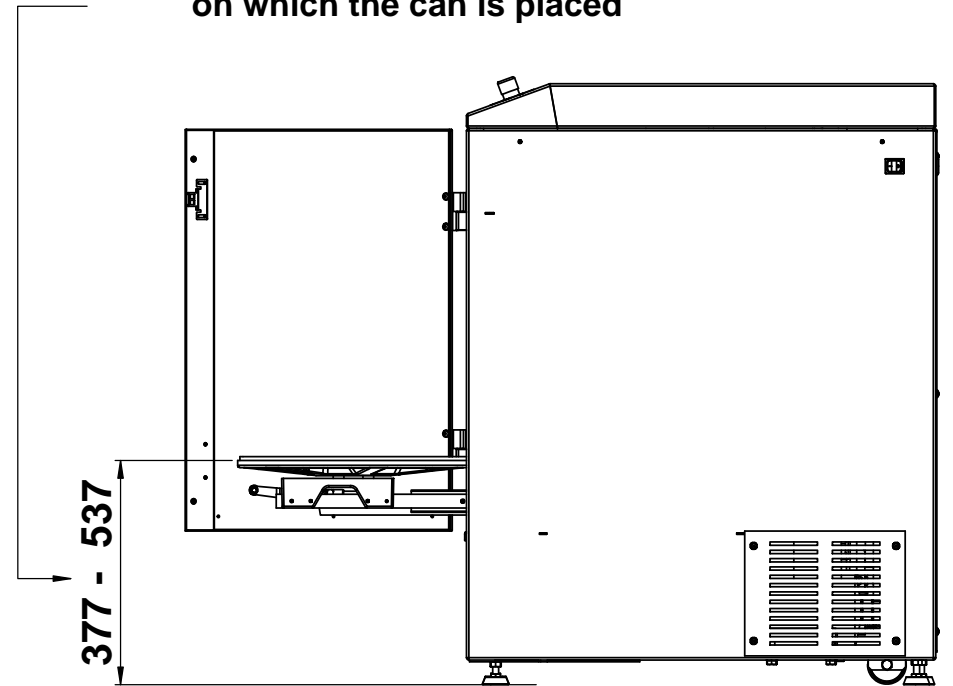
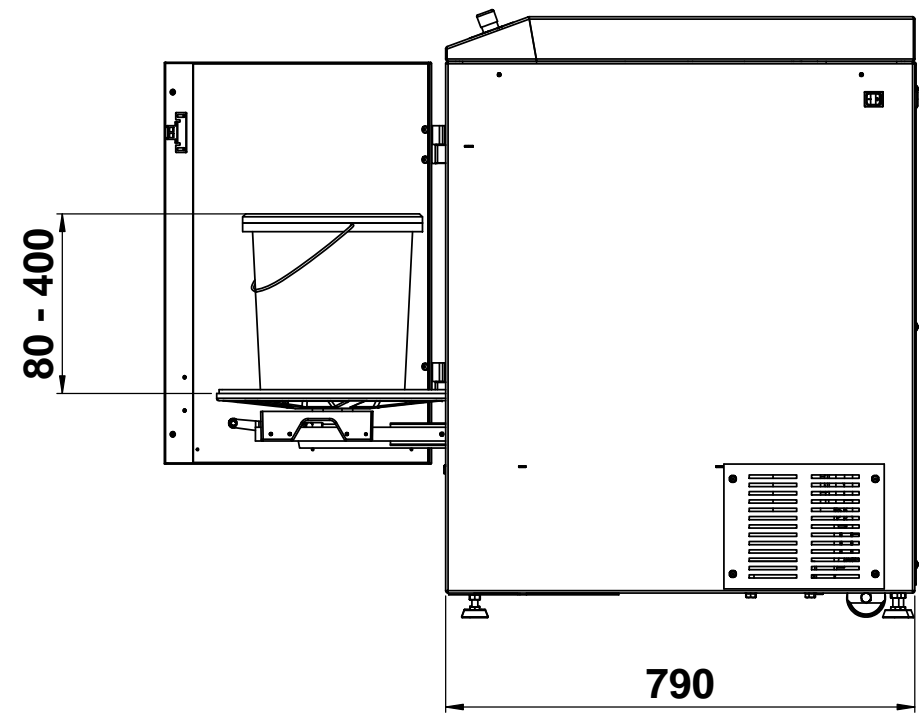
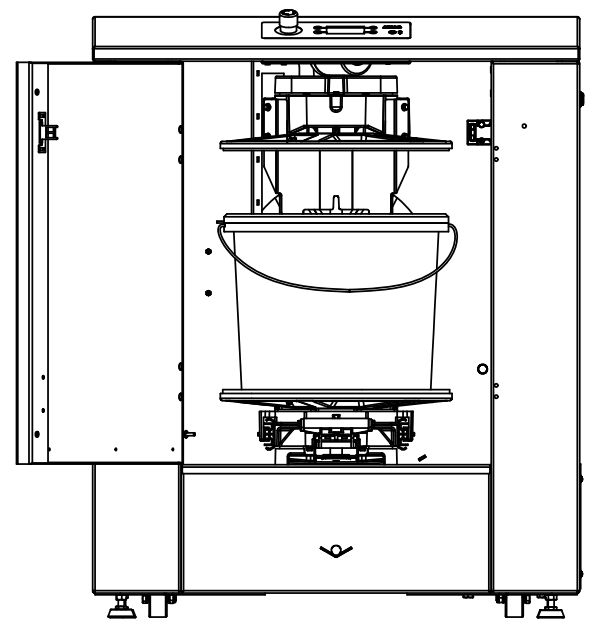


Loading height, can 8 to 40 cm

Height measured from wheel to rubber on which the can is placed



Note: All dimensions in mm unless specified otherwise

Drawn by	BPeeters	Drawing according to ISO 1101, ISO 406, NEN 3634		Dm. ISO 2768-M unless specified otherwise	ISO-5457																																						
Material	See Bill Of Materials	Unit	mm	Sheet: 1 / 1	END PRODUCT																																						
Colour		Dims		Project																																							
Remark		Date	20-03-2018																																								
		<small>THE NETHERLANDS   P.O. Box 210 - 210 AE Sassem   Tel: +31(0)21 240 895   www.fast-fluid.com</small>		<table border="1"> <tr> <th>Linear dimensions</th> <th>Angular dimensions</th> </tr> <tr> <td>2000-4000</td> <td>+2</td> <td>-10</td> <td>+1°</td> </tr> <tr> <td>1000-2000</td> <td>+1.2</td> <td>10-50</td> <td>+0°30'</td> </tr> <tr> <td>400-1000</td> <td>+0.8</td> <td>50-120</td> <td>+0°20'</td> </tr> <tr> <td>120-400</td> <td>+0.5</td> <td>120-400</td> <td>+0°10'</td> </tr> <tr> <td>30-120</td> <td>+0.3</td> <td>400+</td> <td>+0°5'</td> </tr> <tr> <td>6-30</td> <td>+0.2</td> <td colspan="2">Surface dimensions</td> </tr> <tr> <td>3-6</td> <td>+0.1</td> <td>0.5-3</td> <td>+0.2</td> </tr> <tr> <td>0.5-3</td> <td>+0.1</td> <td>3-6</td> <td>+0.5</td> </tr> <tr> <td></td> <td></td> <td>6+</td> <td>+1</td> </tr> </table>	Linear dimensions	Angular dimensions	2000-4000	+2	-10	+1°	1000-2000	+1.2	10-50	+0°30'	400-1000	+0.8	50-120	+0°20'	120-400	+0.5	120-400	+0°10'	30-120	+0.3	400+	+0°5'	6-30	+0.2	Surface dimensions		3-6	+0.1	0.5-3	+0.2	0.5-3	+0.1	3-6	+0.5			6+	+1	A2
Linear dimensions	Angular dimensions																																										
2000-4000	+2	-10	+1°																																								
1000-2000	+1.2	10-50	+0°30'																																								
400-1000	+0.8	50-120	+0°20'																																								
120-400	+0.5	120-400	+0°10'																																								
30-120	+0.3	400+	+0°5'																																								
6-30	+0.2	Surface dimensions																																									
3-6	+0.1	0.5-3	+0.2																																								
0.5-3	+0.1	3-6	+0.5																																								
		6+	+1																																								
				Scale	1:2																																						
<small>CONFIDENTIAL PROPRIETARY MATERIAL: All design, reproduction, manufacturing, use &amp; sales rights of items shown here on or of articles fabricated therefrom are expressly reserved by FAST &amp; FLUID.</small>		Assembly Part number	Description	Item Number																																							
<small>NETHERLANDS</small>			GA480 Main Dimensions																																								