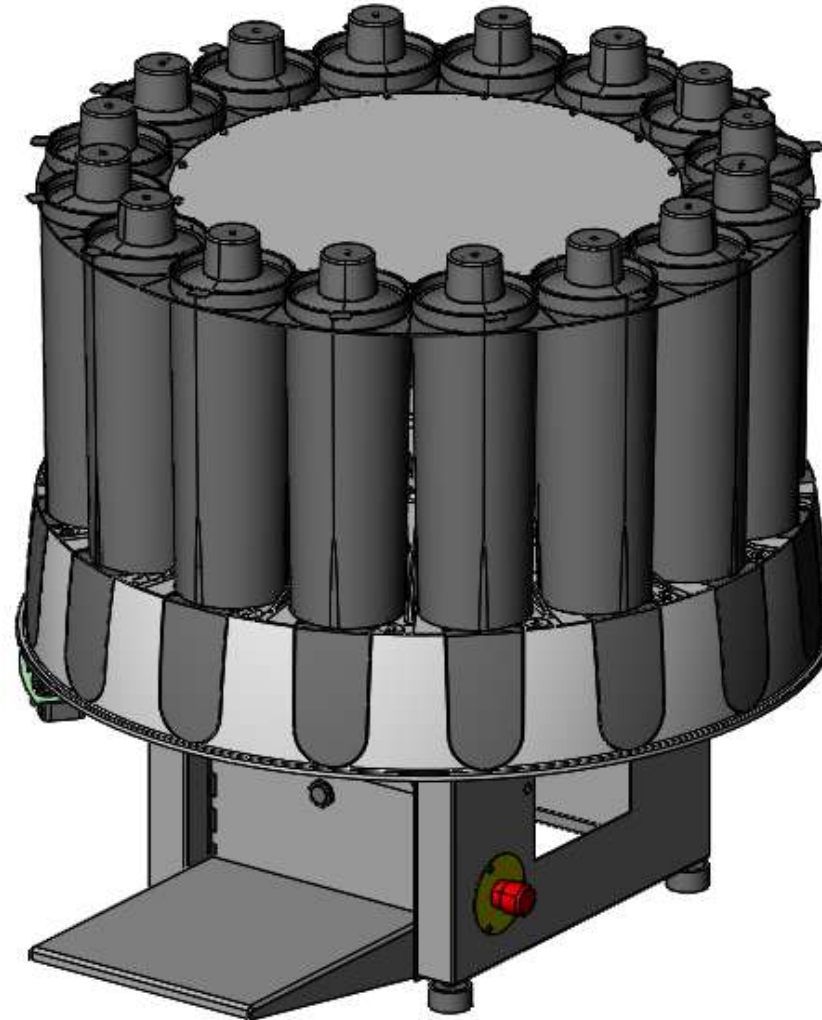


Spare Partbook

BLENDORAMA SERIES III



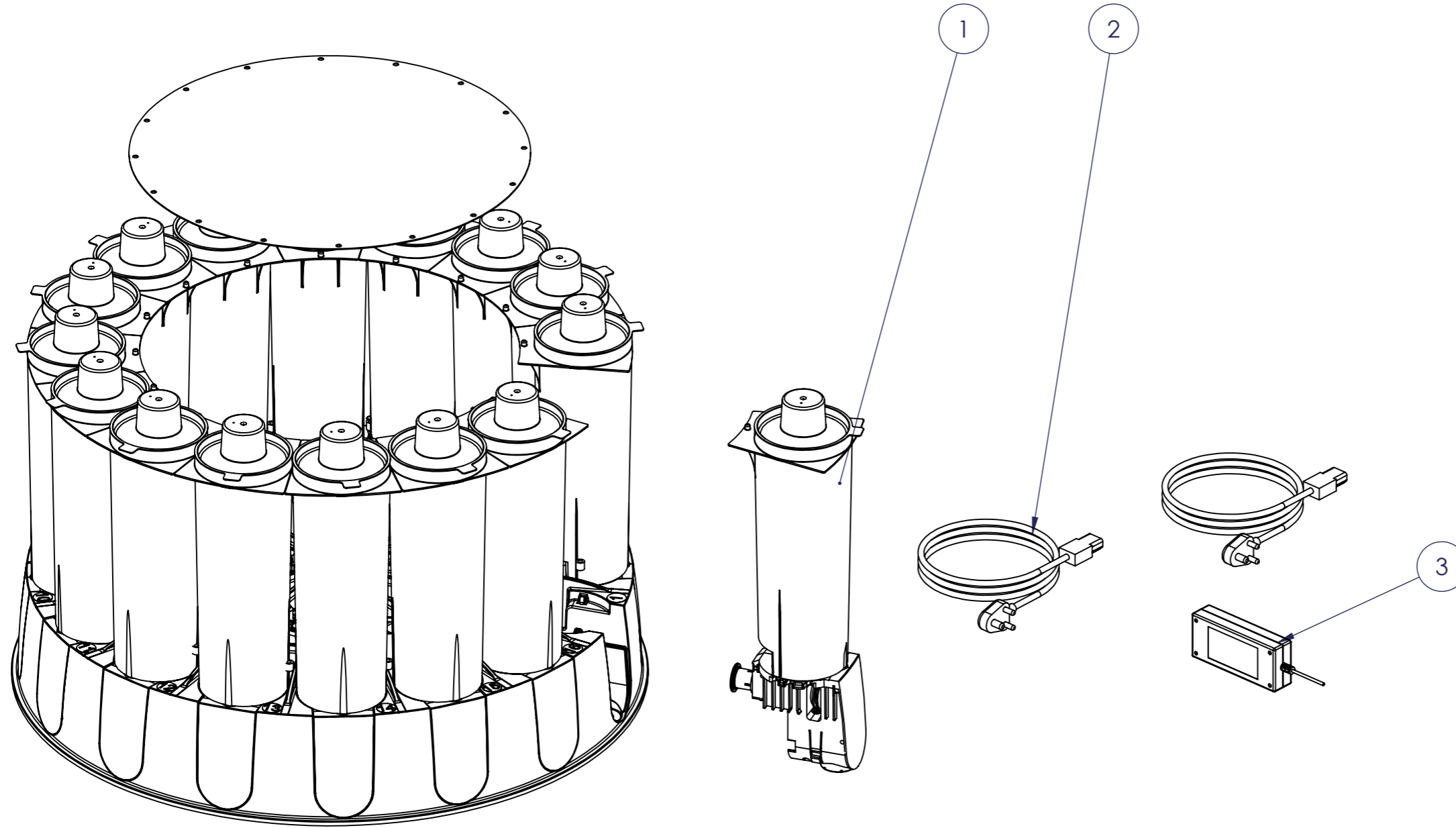
Fluid Management[®]

www.fluidman.com

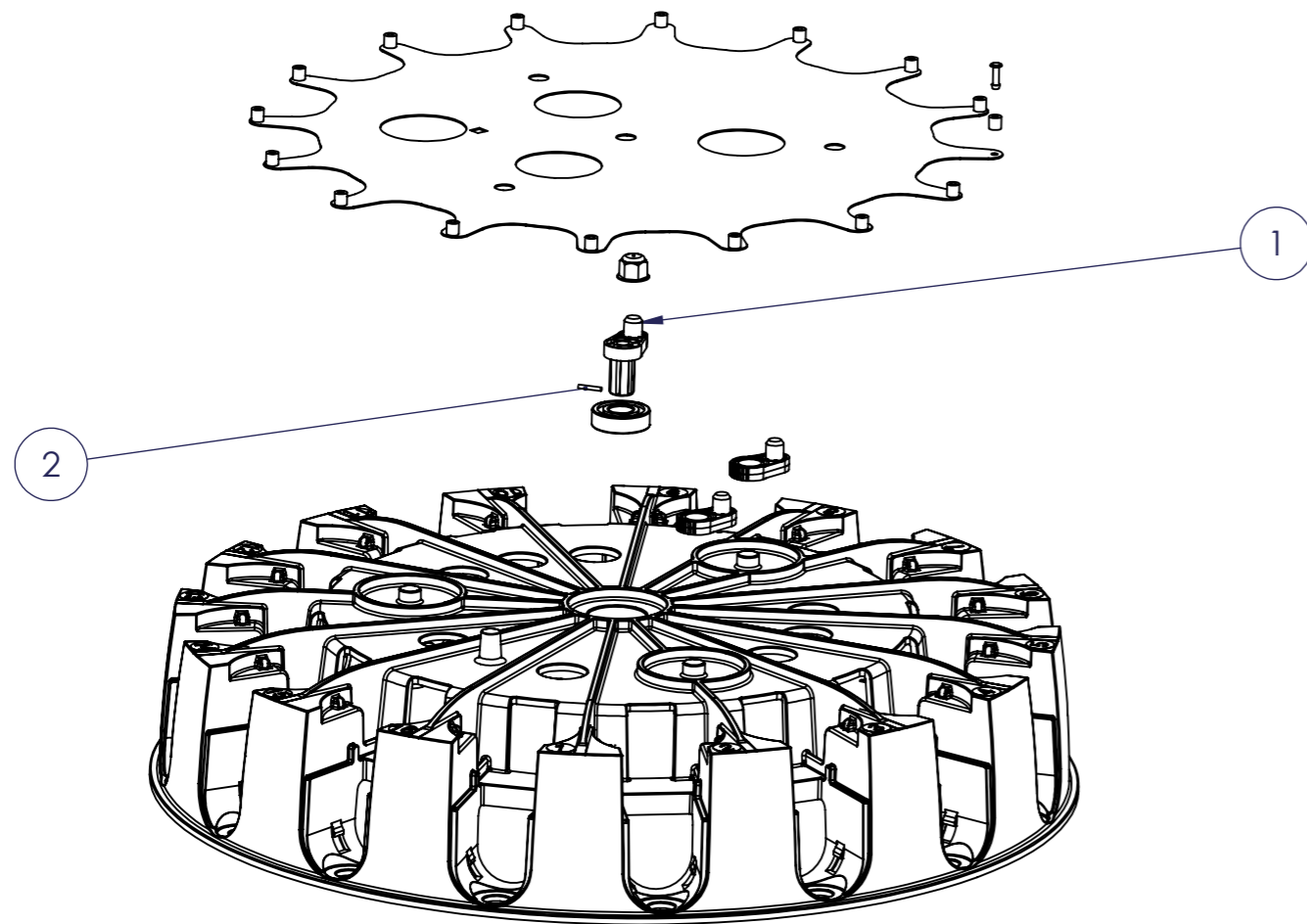


THE TINTING COMPANY

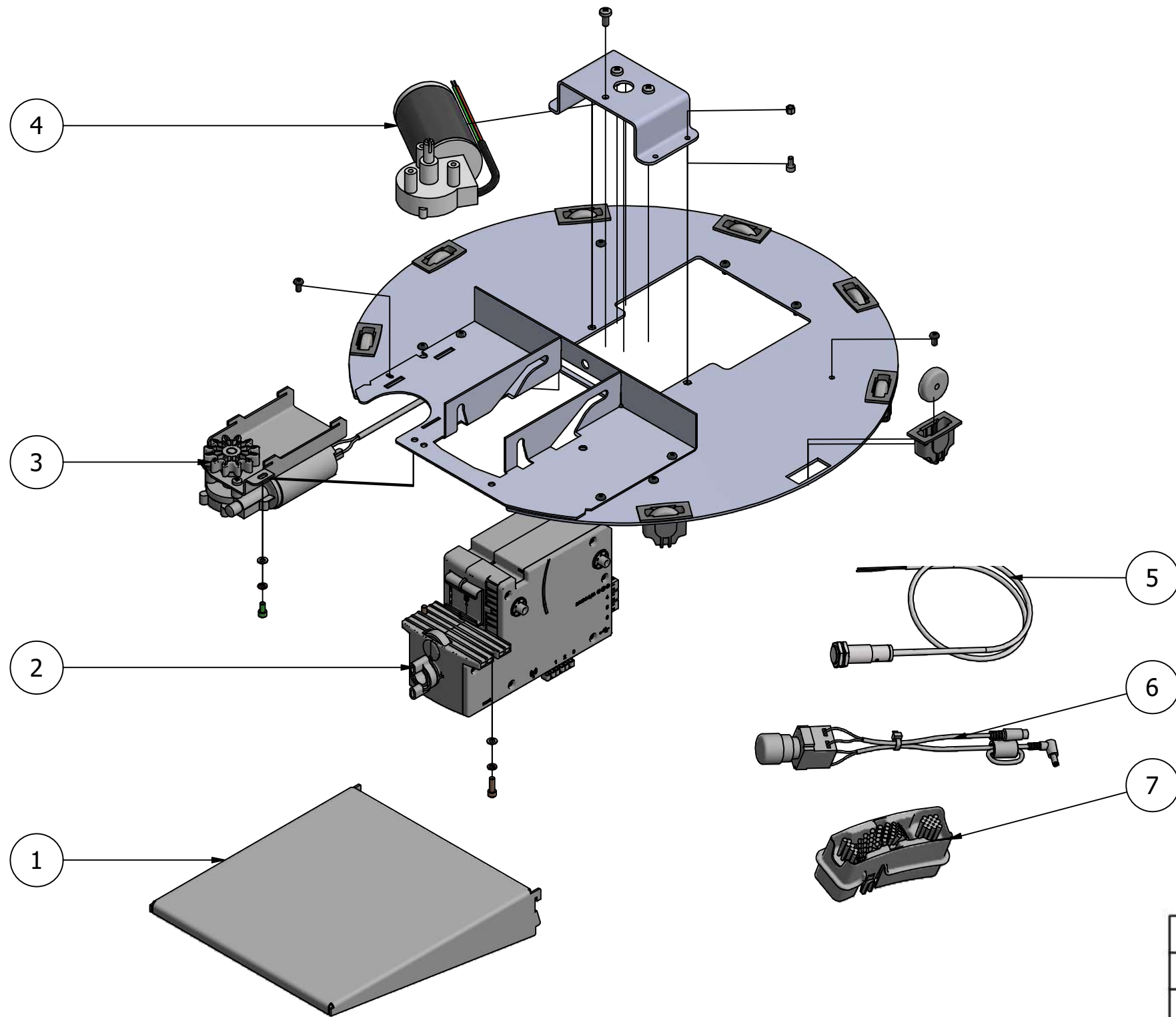
www.fast-fluid.com



PART LIST				
ITEM	PART	DESCRIPTION	REMARK	QTY
1	2810005-SP	CANISTER_PUMP,X-SMART,Solvent		1
2	1817218-SP	CABLE,USB-BM,USB-AM		1
3	1865427-SP	POWERSUPP,Xsmart India		1

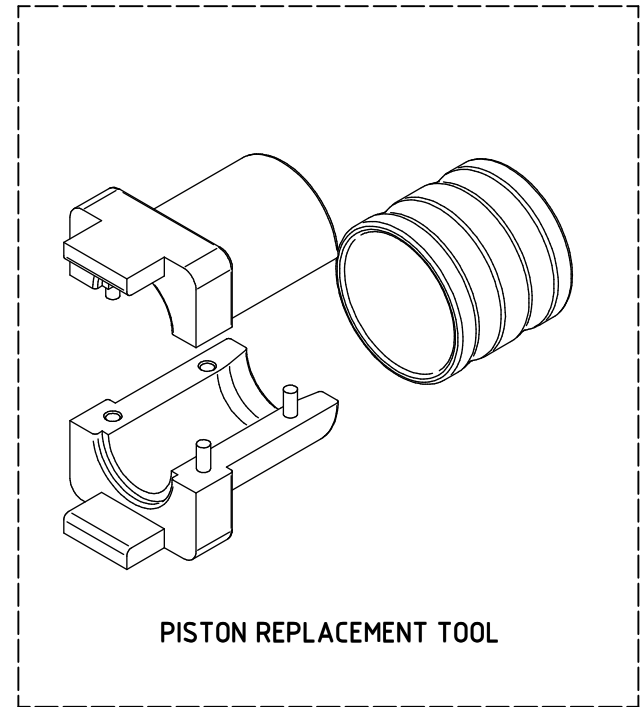
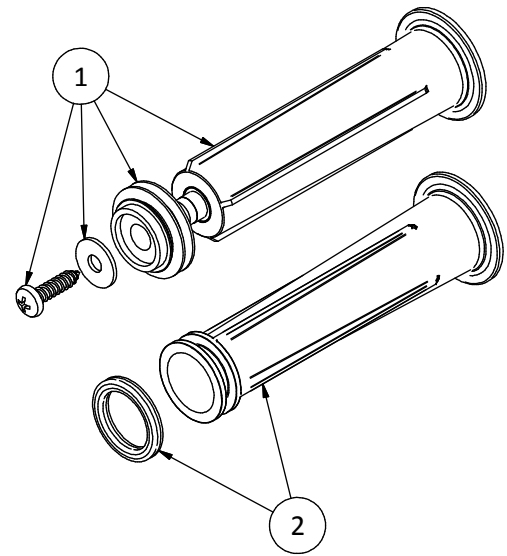
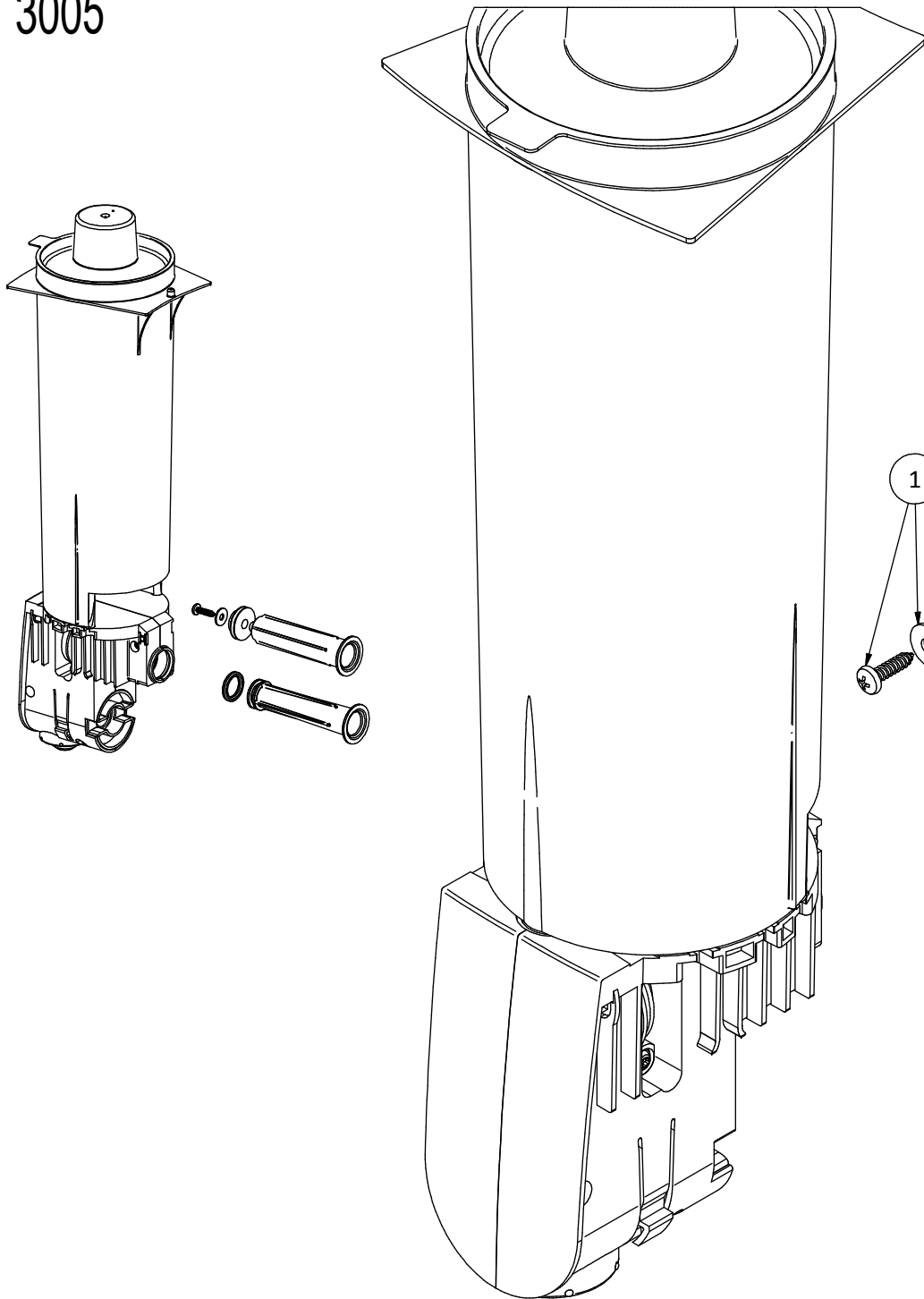


PART LIST				
ITEM	PART	DESCRIPTION	REMARK	QTY
1	1816578-SP	DRIVEN AGITATION CRANK		1
2	1152040-SP	PIN,DOWEL,Ø3X19.5,DIN7		1



Parts List			
ITEM	PART #	DESCRIPTION	QTY
1	FM0559-SP	CAN SHELF, BMIII	1
2	1817811-SP	MDU,assembly	1
3		page 3008 Motor, turntable	1
4	1817364-SP	Agitation Motor	1
5	1865671-SP	Can Sensor	1
6	1817360-SP	EM-switch assembly Non CE	1
7		Page 3007: Brush	1

3005

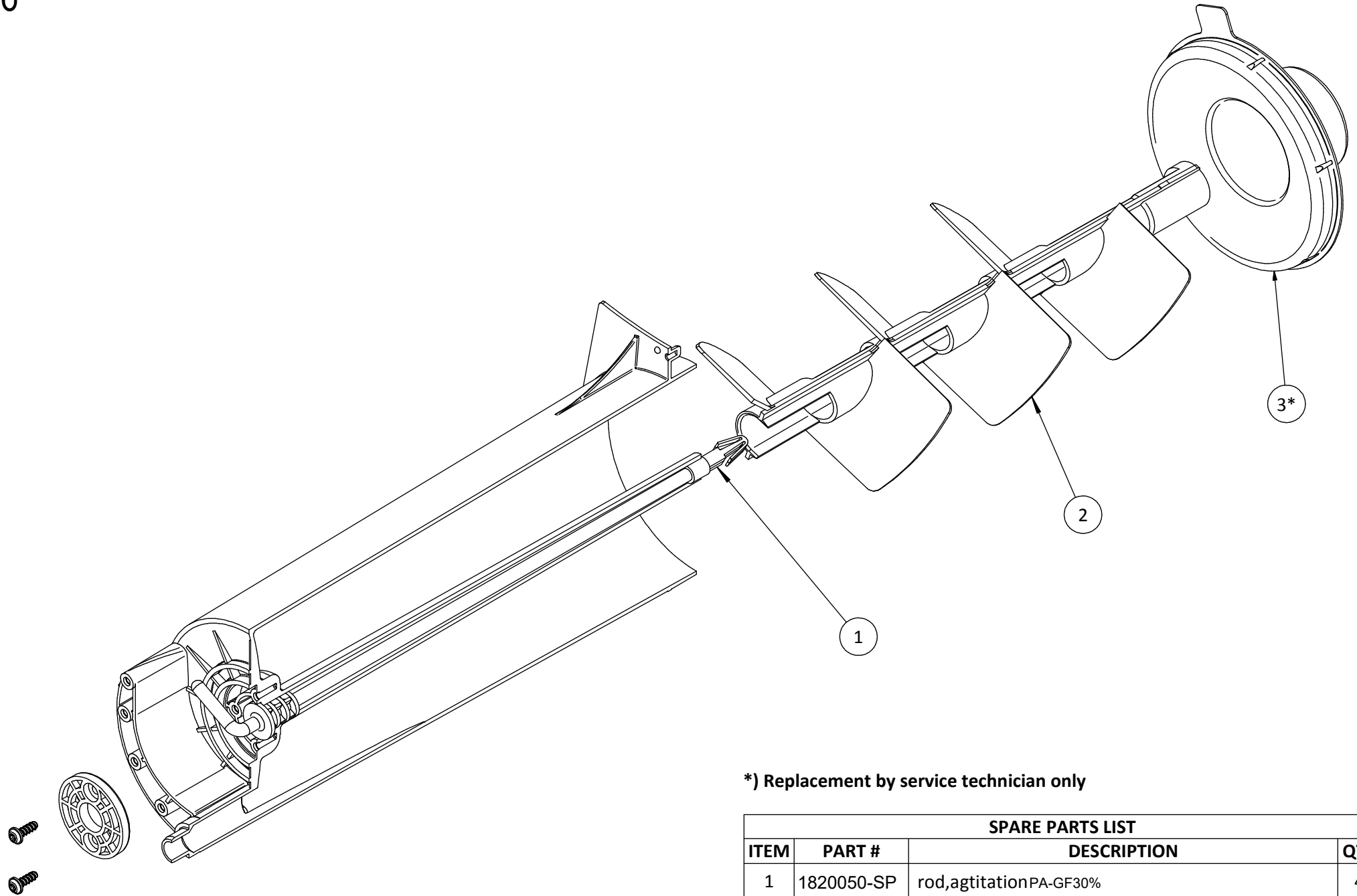


PISTON REPLACEMENT TOOL

*) Replacement by service technician only

SPARE PARTS LIST			
ITEM	PART #	DESCRIPTION	QTY
1*	1817697-SP	Pistonrod + PTFE Piston	4
2*	1817286-SP	Pistonrod + Quad ring	4
3	1865003-SP	Piston replacement tool	1

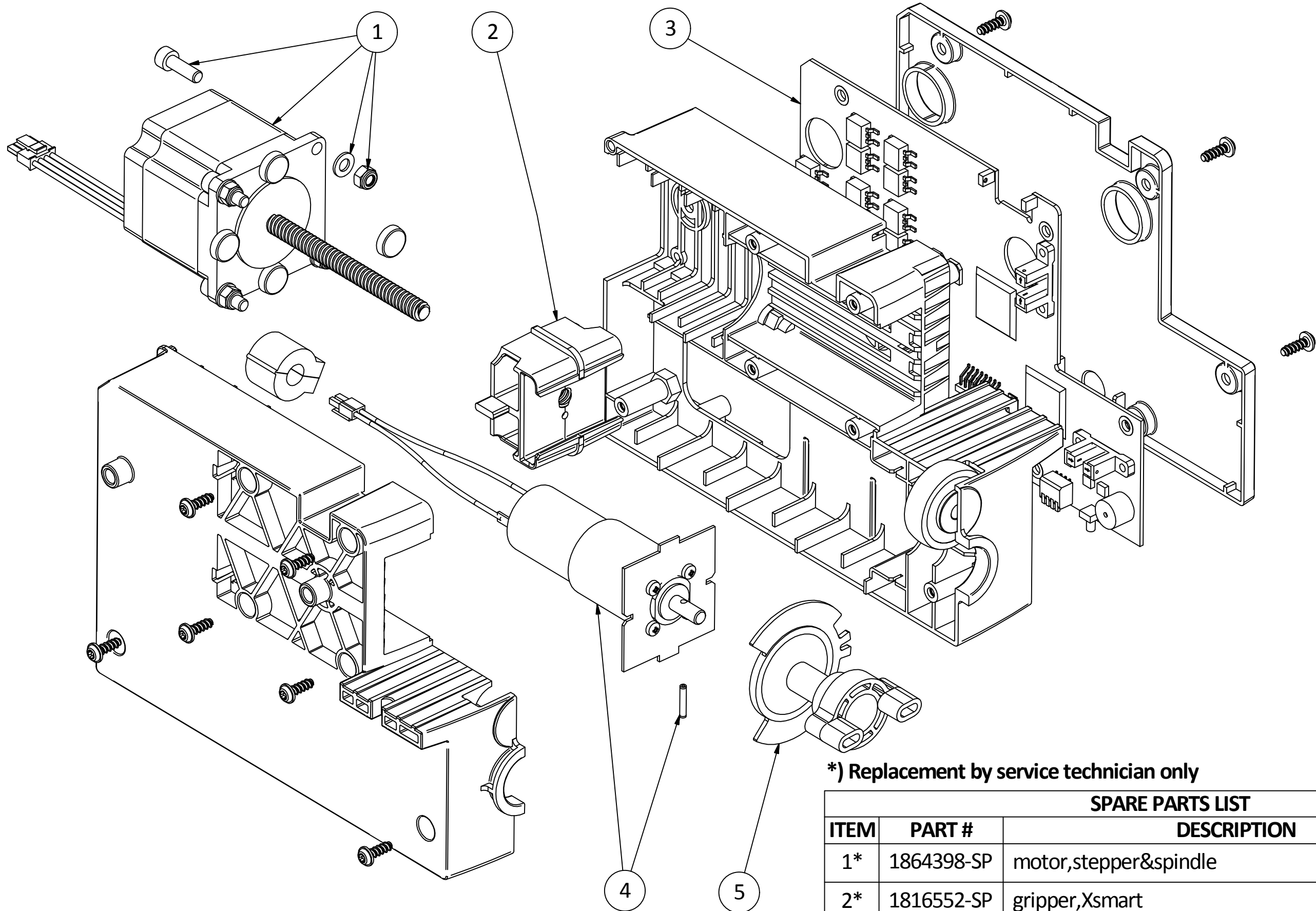
3006



*) Replacement by service technician only

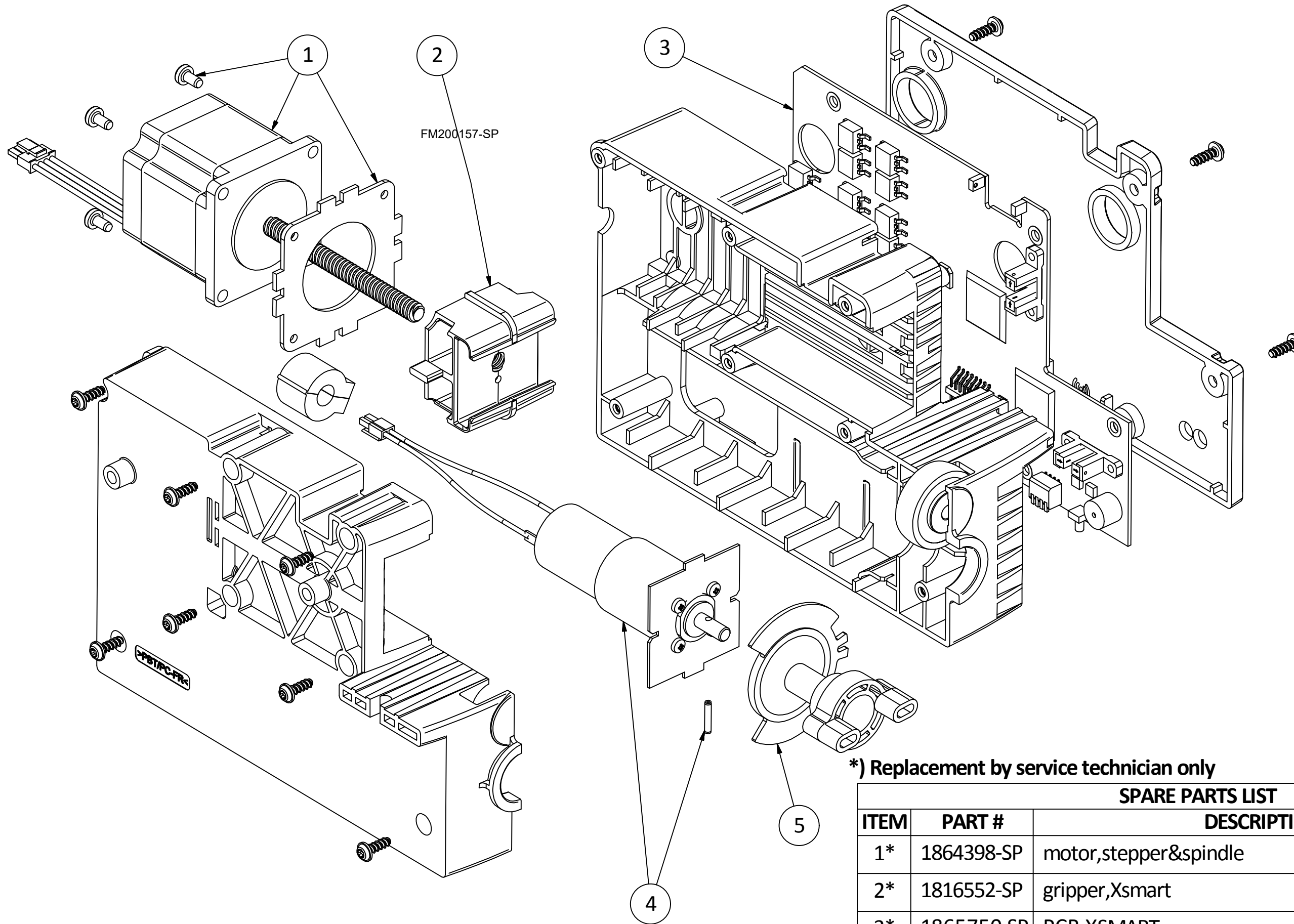
SPARE PARTS LIST			
ITEM	PART #	DESCRIPTION	QTY
1	1820050-SP	rod,agitationPA-GF30%	4
2	1816507-SP	stirrer	4
3*	1866057-SP	Lid,canister,2.3L	4

3007



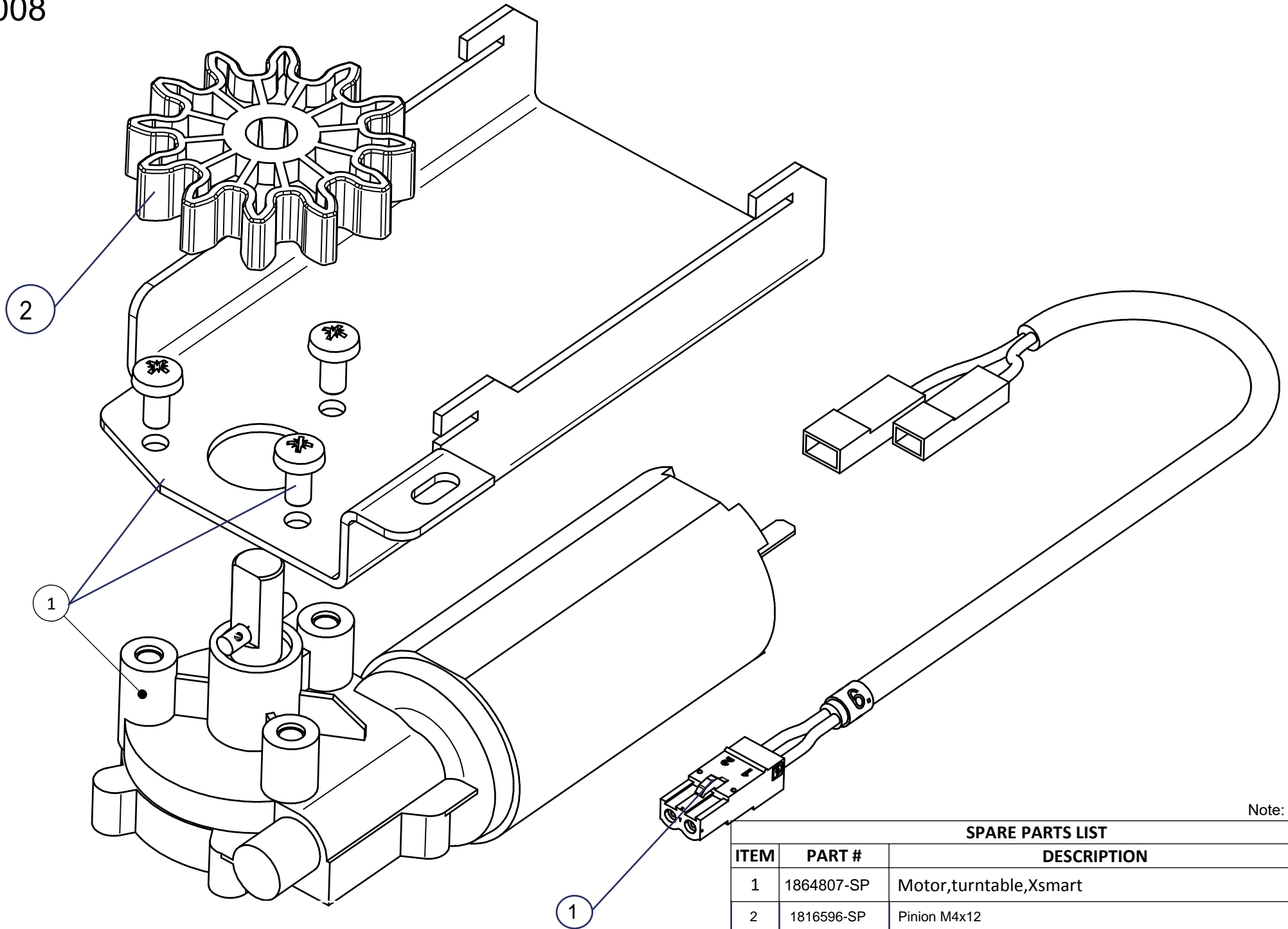
***) Replacement by service technician only**

SPARE PARTS LIST			
ITEM	PART #	DESCRIPTION	QTY
1*	1864398-SP	motor,stepper&spindle	1
2*	1816552-SP	gripper,Xsmart	1
3*	1865750-SP	PCB Xsmart	1
4*	1817109-SP	Motor,valve,24VDC,20RPM	1
5*	1816593-SP	Valve Actuator, X-smart	2



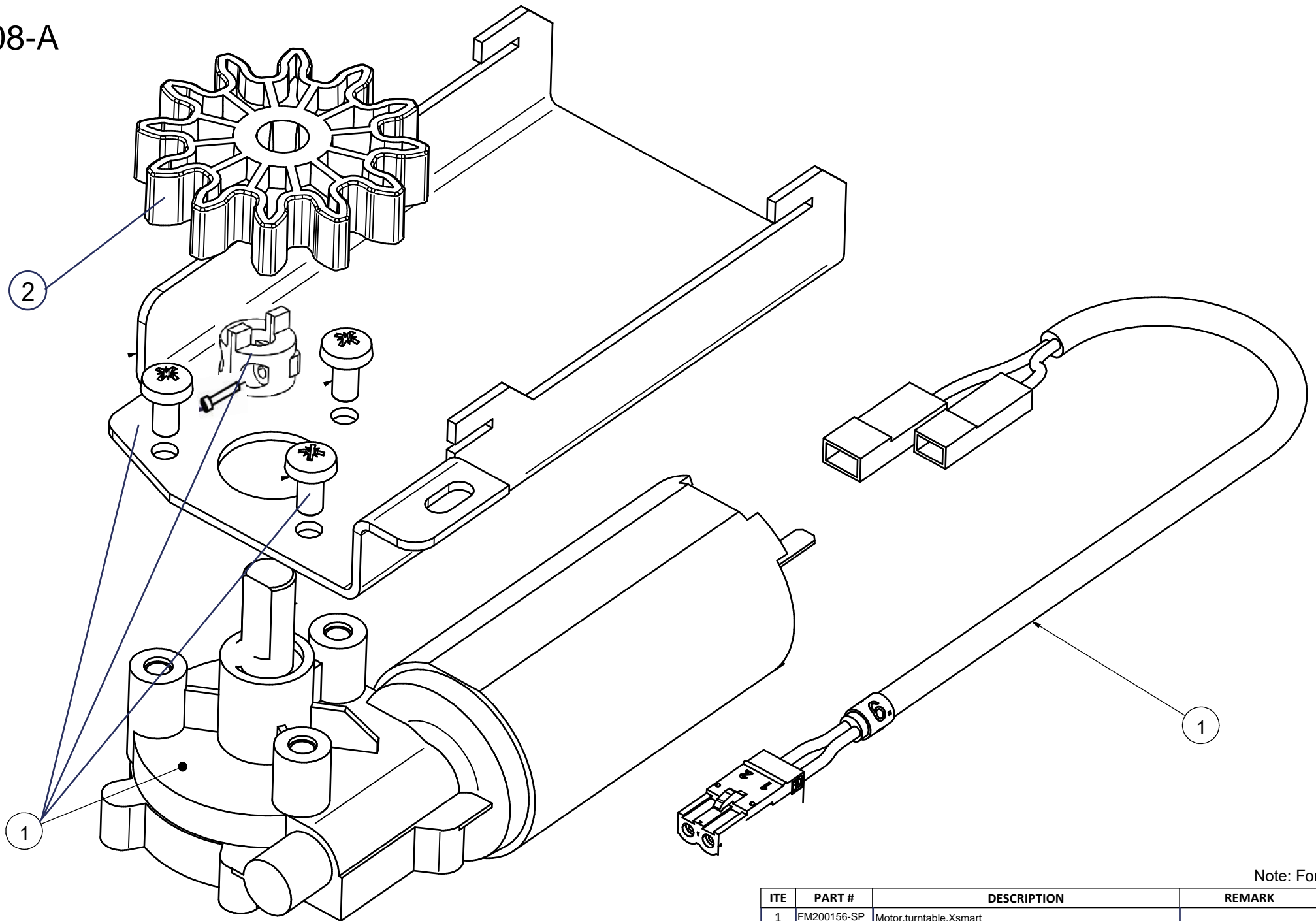
***) Replacement by service technician only**

SPARE PARTS LIST			
ITEM	PART #	DESCRIPTION	QTY
1*	1864398-SP	motor,stepper&spindle	1
2*	1816552-SP	gripper,Xsmart	1
3*	1865750-SP	PCB XSMART	1
4*	1817109-SP	Motor,valve,24VDC,20RPM	1
5*	1816593-SP	Valve Actuator, X-smart	2



SPARE PARTS LIST			
ITEM	PART #	DESCRIPTION	QTY
1	1864807-SP	Motor,turntable,Xsmart	1
2	1816596-SP	Pinion M4x12	1

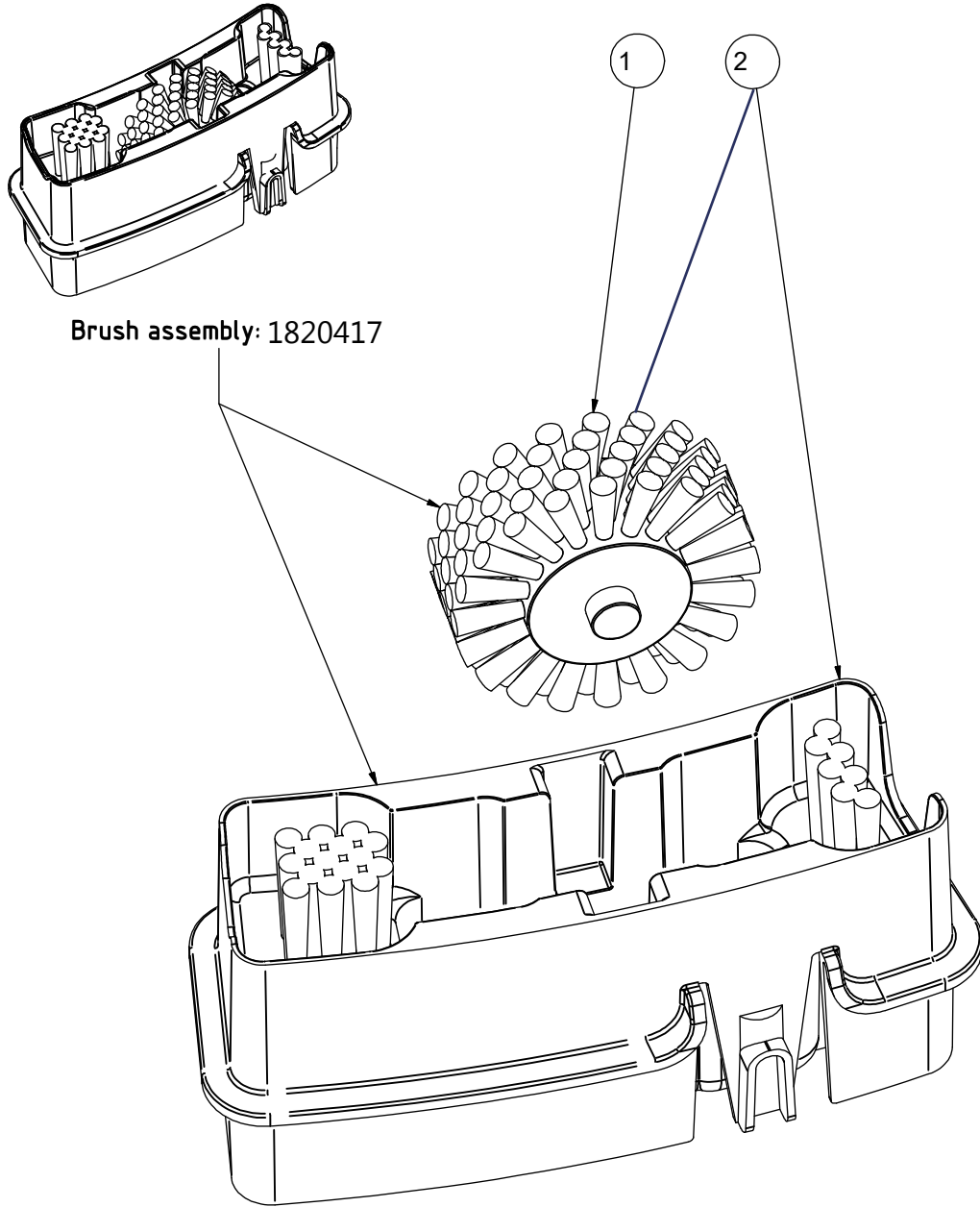
3008-A



Note: For Asia

ITE	PART #	DESCRIPTION	REMARK	QTY
1	FM200156-SP	Motor,turntable,Xsmart		1
2	1816596-SP	Pinion M4x12		1

3009

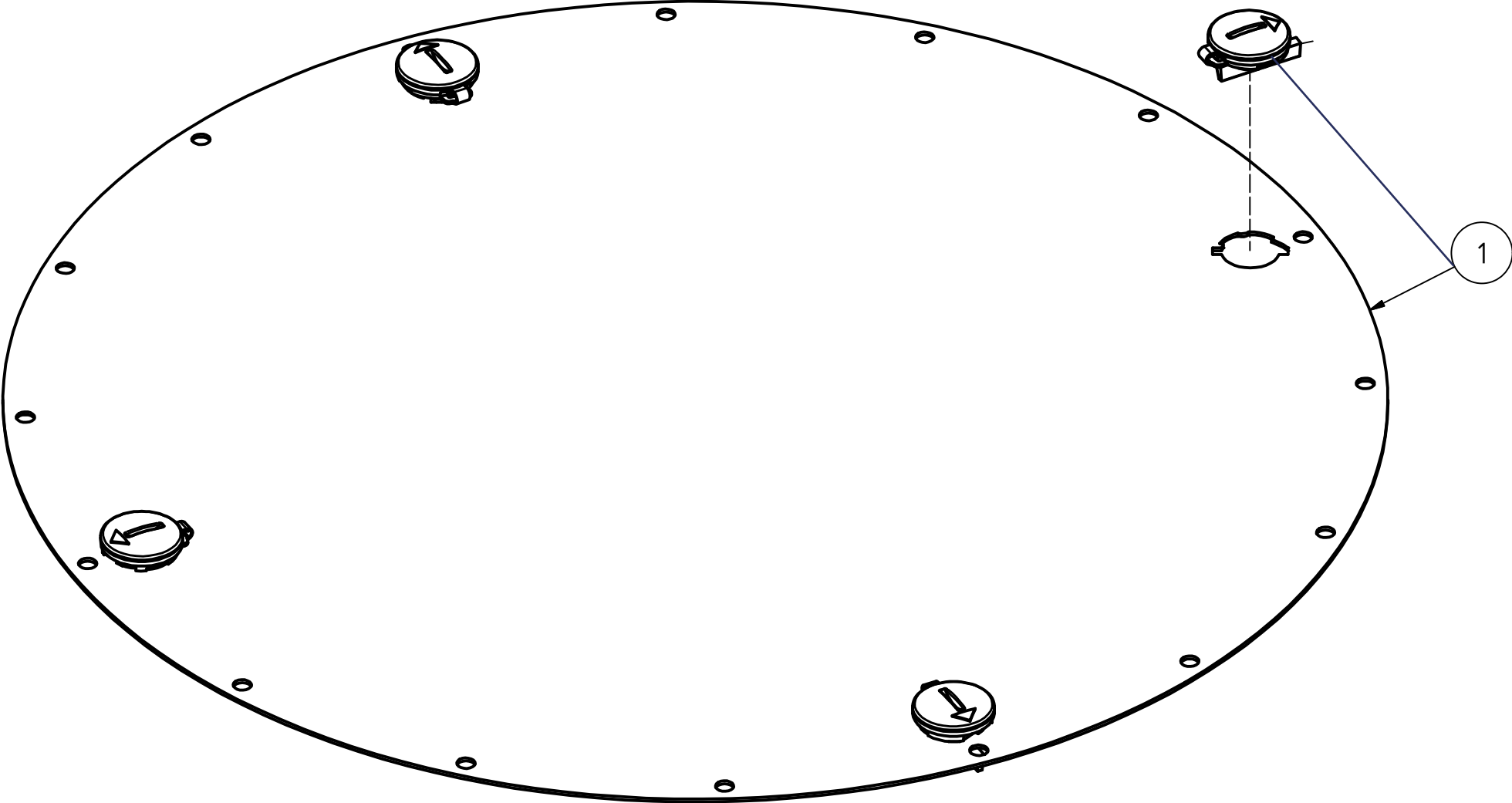


Brush assembly: 1820417

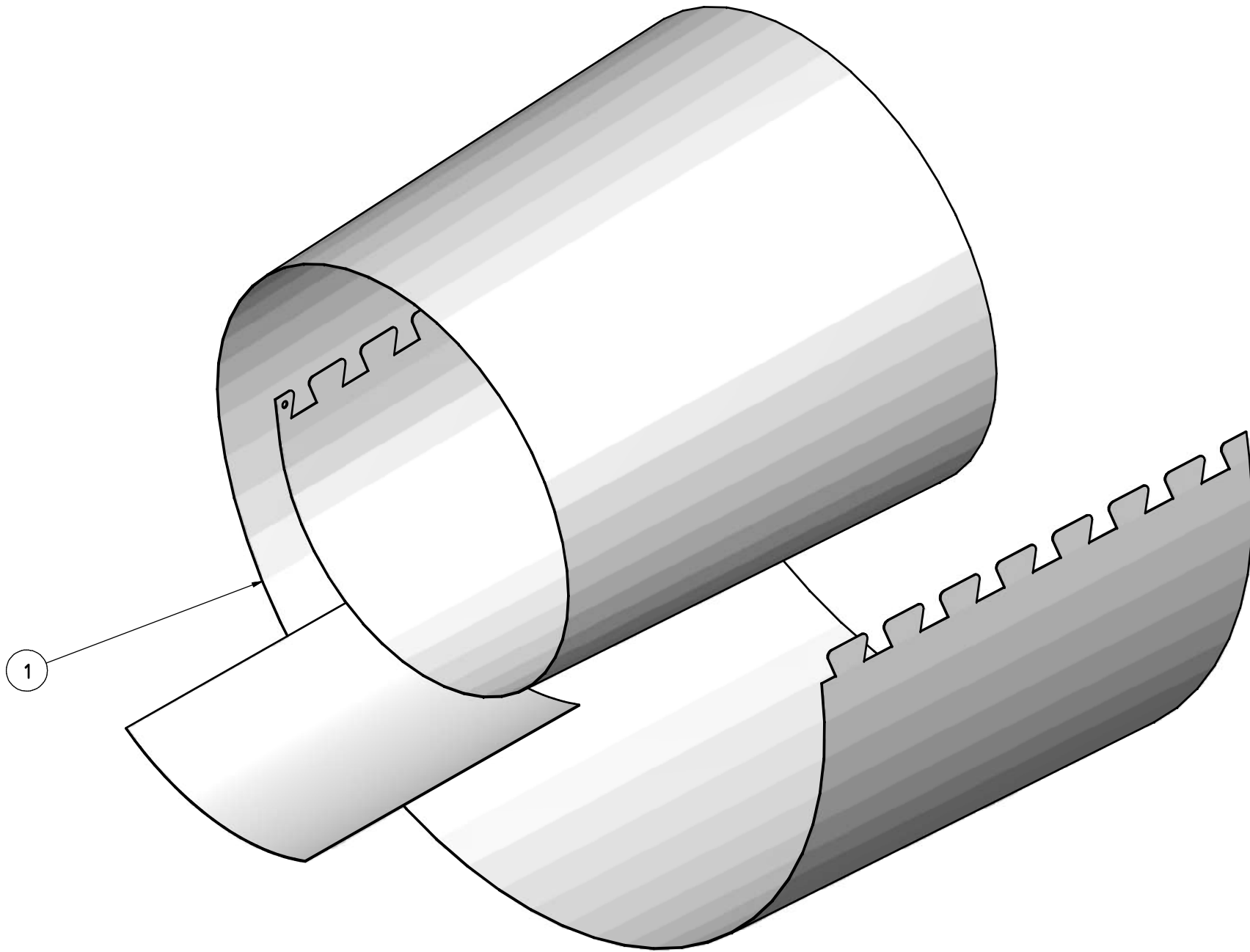
PARTS LIST				
ITE	PART #	DESCRIPTION	REMARK	QTY
1	1820393-SP	Brush,rotation,x-smart		1
2	1820417-SP	Brush,container Assly	1816760 static brush	1

3010

From SN CE-69781 F onwards



PARTS LIST				
ITEM	PART NUMBER	DESCRIPTION	REMARKS	QTY
1	1819477-SP	Canister plate,latch set		1



SPARE PARTS LIST			
ITEM	PART #	DESCRIPTION	QTY
1	1817588-SP	Wrap,1.2mm,X-smart	1