

Fluid Management, Inc - Service Library

# AS9500 Spare Parts Manual



*For models:*

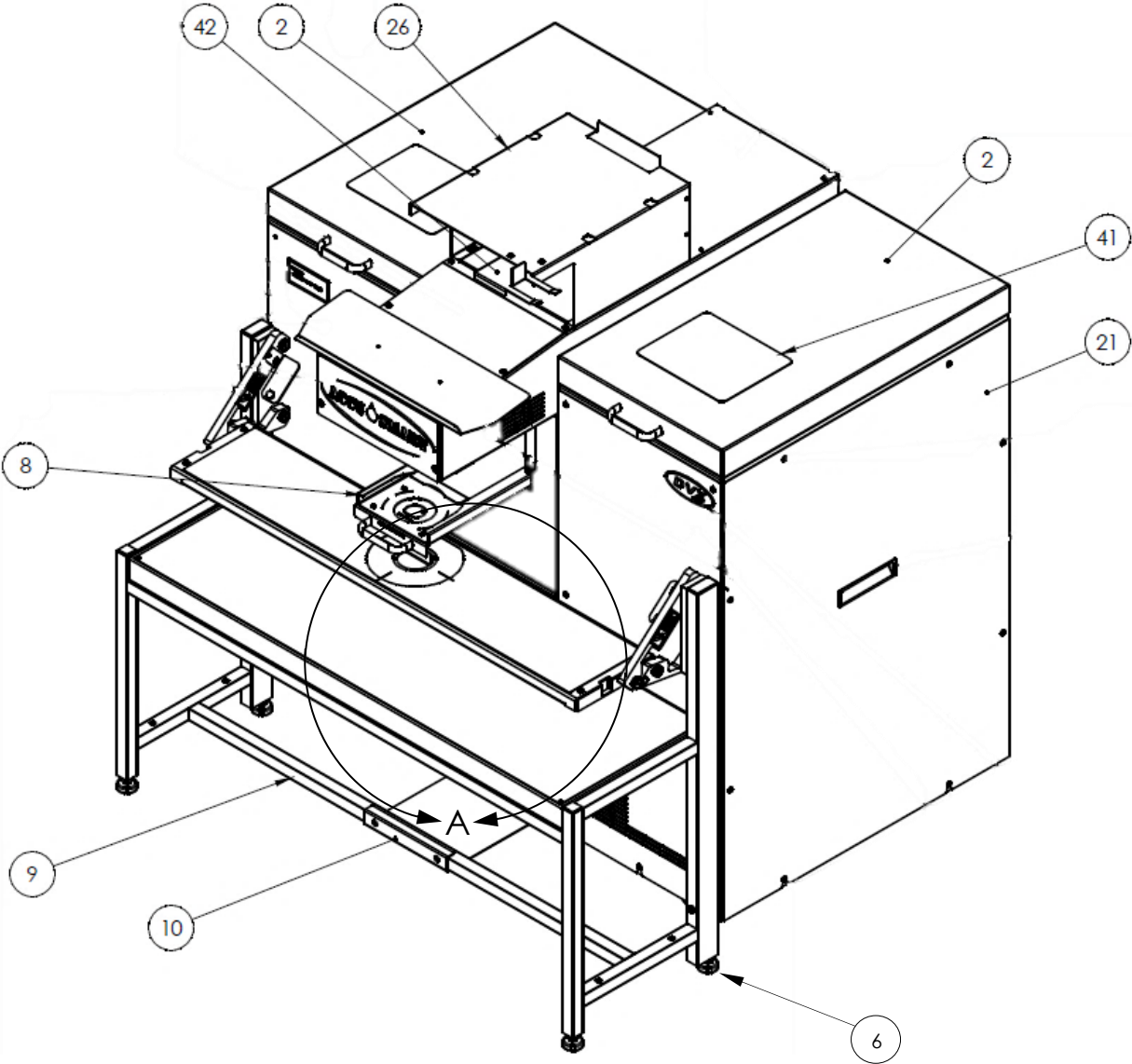
38800

# 2020

AS 9500 Spare Parts Manual - Fluid Management Rev. A 2020-08

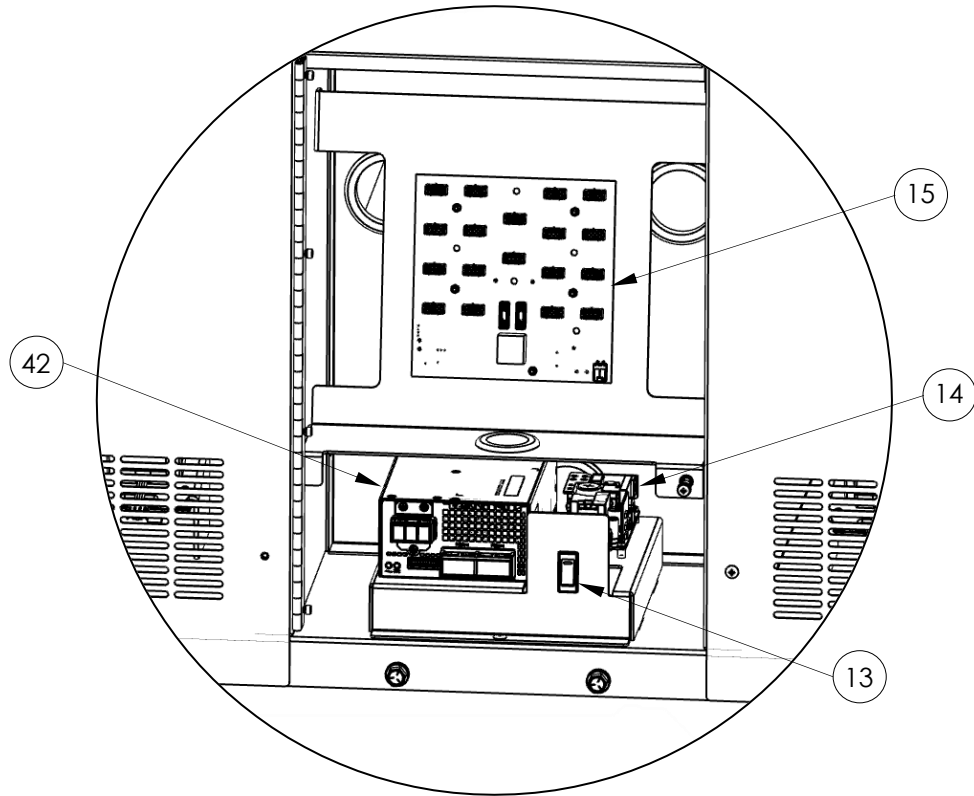
Property of Fluid Management, Inc

# AS9500 Front



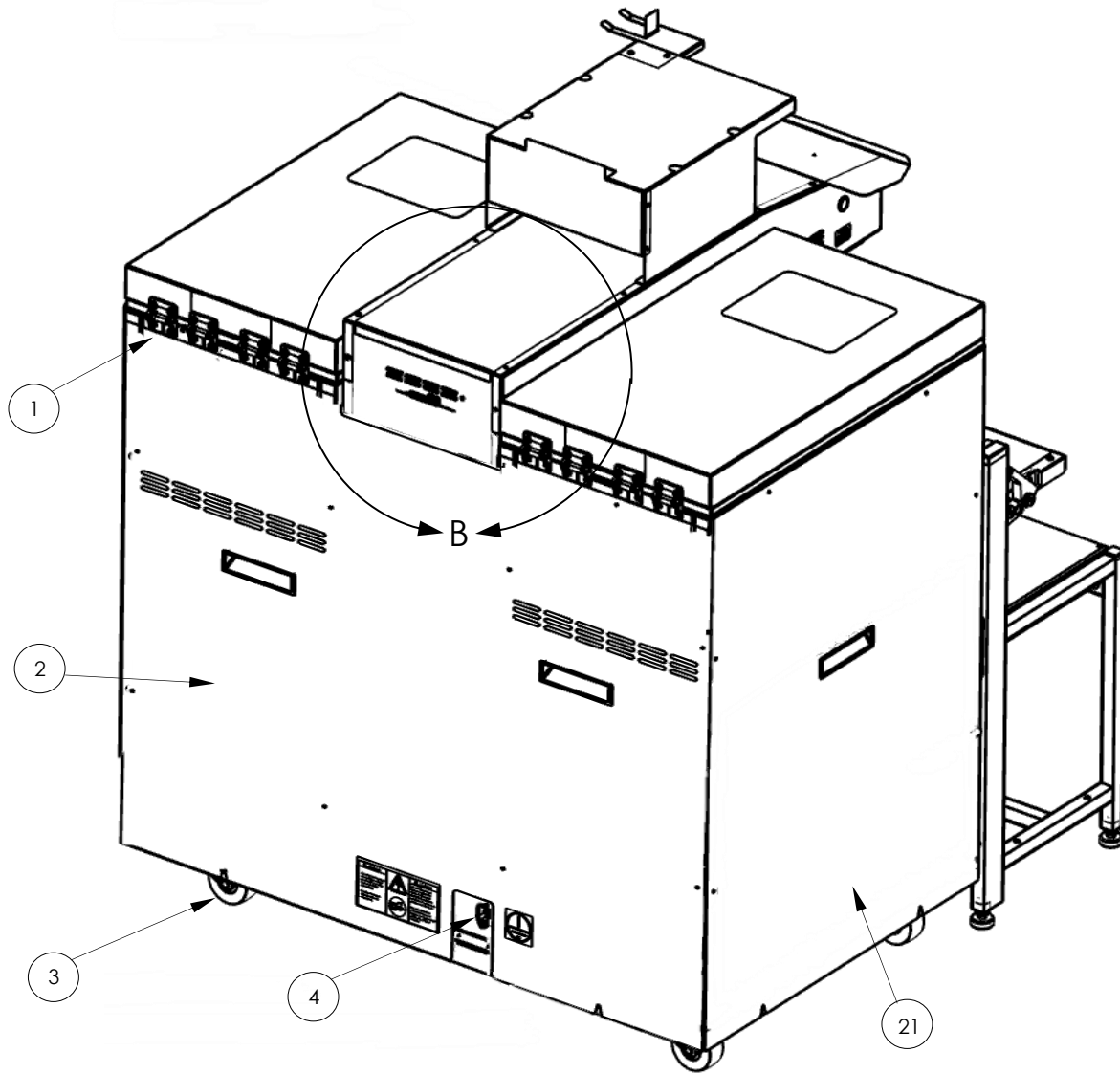
<b>Item</b>	<b>Part Number</b>	<b>Description</b>	<b>UOM</b>
2	39048	Kit; Canister Lid; AS9500	EA
6	38674	Mount; Leveling Foot; ½-13x4” Stud	EA
8	37950	Assembly; Quart/Sample Shelf	EA
9	37026	Assembly; Conveyor	EA
10	37977	Bracket; Mounting; Conveyor	EA
18	34044	Bearing; Linear Guide (For Quart Shelf, Not Shown)	EA
21	39047	Kit; Side Panel; AS9500	EA
26	38986	Stand; Mounting; Accessories	EA
41	37997	Pad; Mouse; Self Adhesive	EA
42	38114	Bracket; Scan Gun	EA

## AS9500 Lower Electronics (Section A)



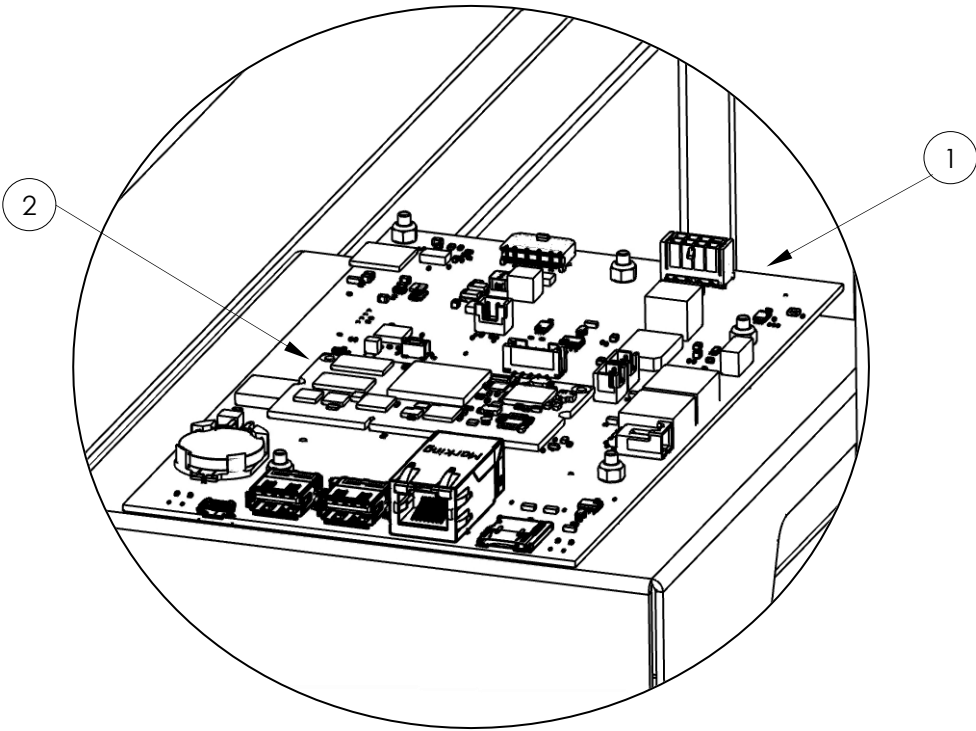
Item	Part Number	Description	UOM
13	81512215RH	Switch Rocker; Circuit Breaker	EA
14	38164	Power Supply; 24 VDC; ETL Approved	EA
15	38990	Assy; PCB; Power Dist. w/Micro Proc. (Davinci Advanced)	EA
42	38673	Power Supply; 48V; 600W	EA
44	39057	Fuse; 5 Amp; Glass 250VAC; Slow Blow (Not Shown)	EA
45	39058	Fuse; Blade; 10 Amp; 80 VDC; Normal Blow (Not Shown)	EA

## AS9500 Rear



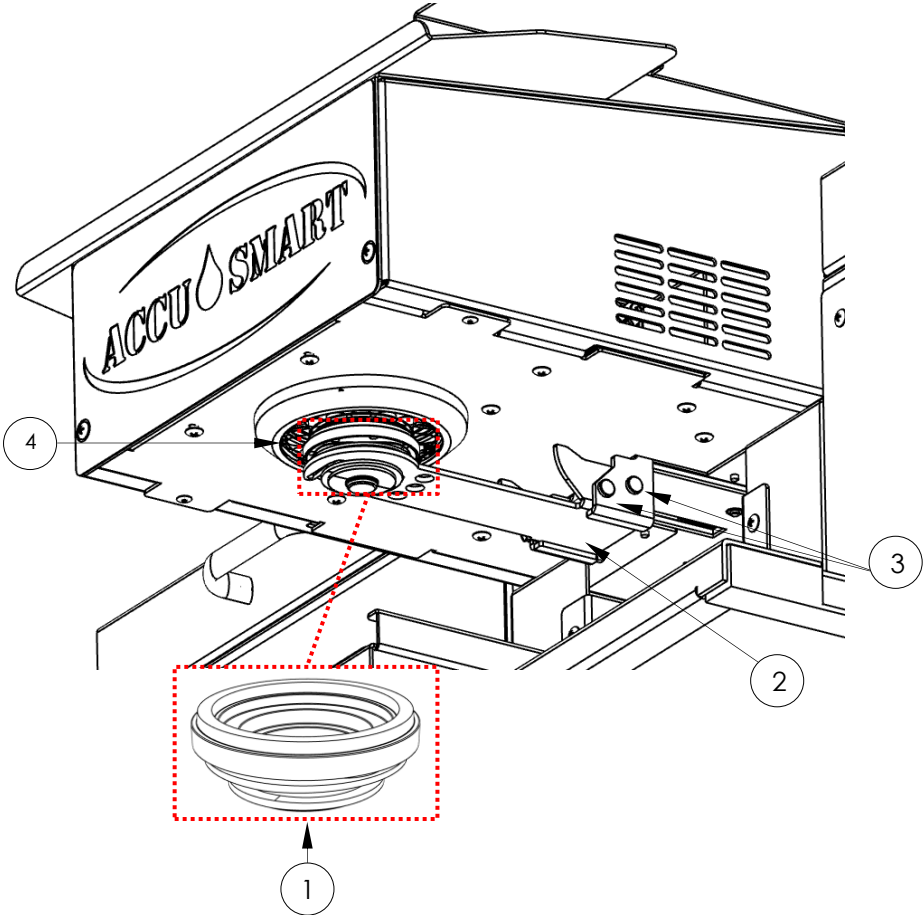
Item	Part Number	Description	UOM
1	38649	Hinge; Position Control	EA
2	39046	Kit; Back Panel; AS9500	EA
3	36968	Caster; 3' Diameter	EA
4	81791333RH	Connector; Receptacle Outlet	EA
21	39047	Kit; Side Panel; AS9500	EA

# Coordinator and SOM (Section B)



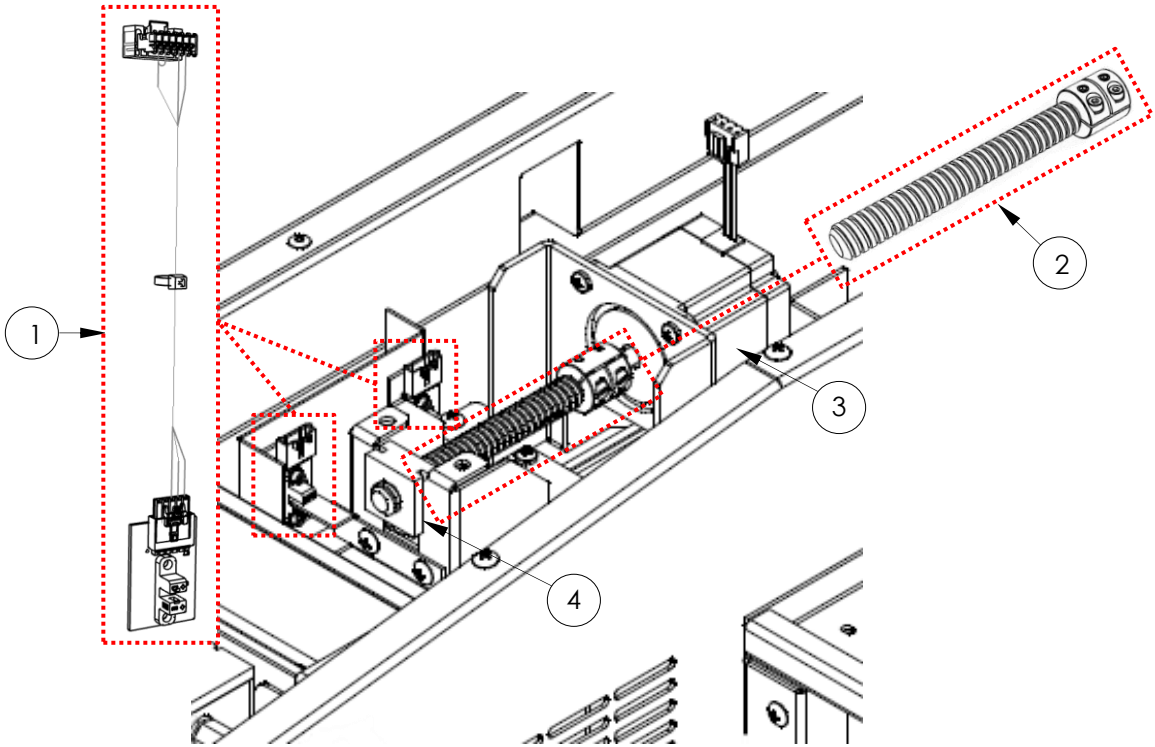
Item	Part Number	Description	UOM
1	38576	Assy; PCB; Coordinator (Michelangelo)	EA
2	38810	PCB; SOM (Specific Programming req.)	EA

# External Nozzle Assembly



Item	Part Number	Description	UOM
1	36019	Assy; Cup; Spring Loaded	EA
2	38345	Bracket; Nozzle Cup	EA
3	38341	Pin; Retaining w/ Side Mounted Ring	EA
4	39015	Lens; Array; LED Locator	

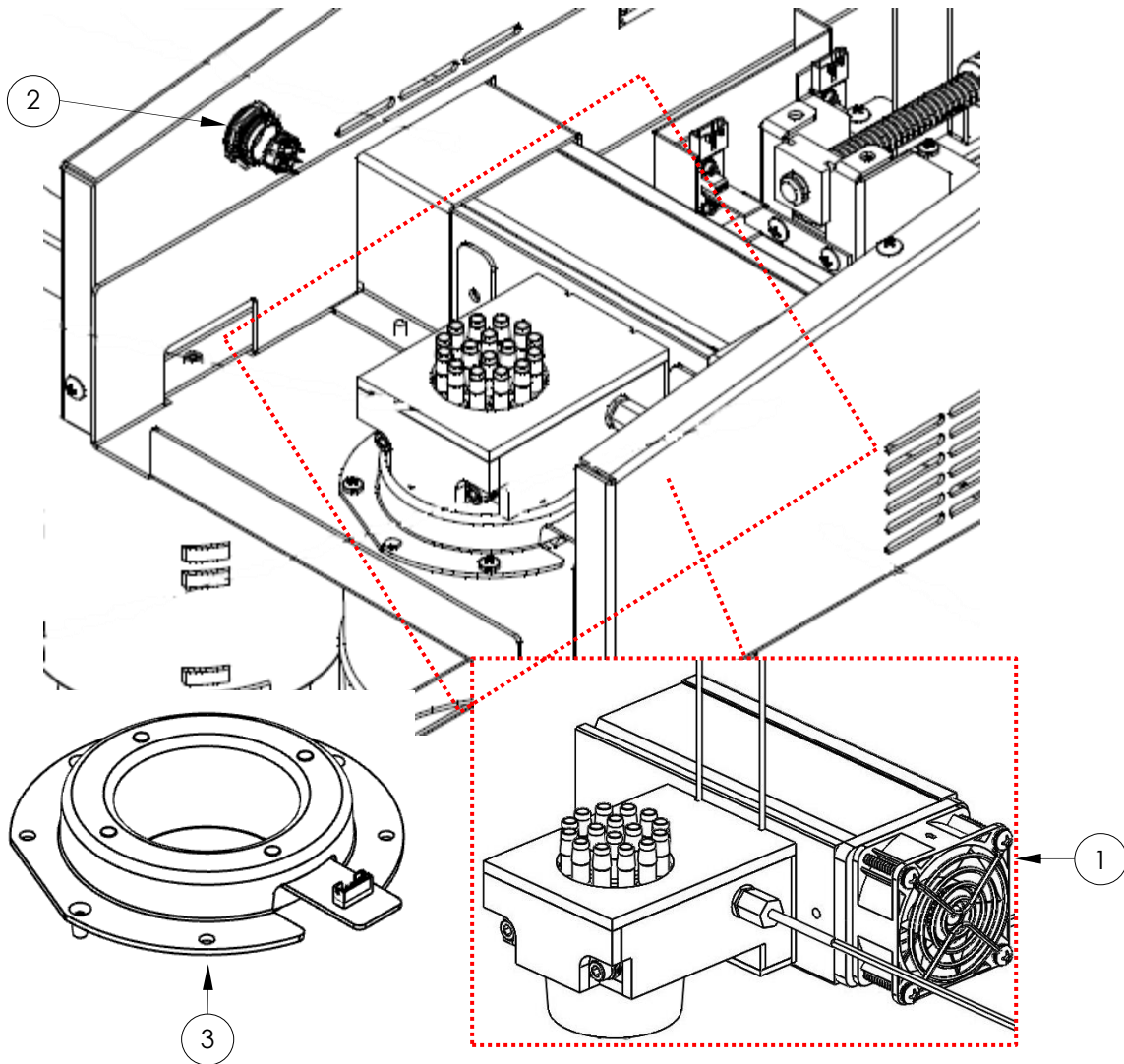
# Internal Nozzle Assembly



Item	Part Number	Description	UOM
1	38091	PCB; Assy; Opto Sensor Board	EA
2	37077	Kit; Nozzle Closer	EA
3	38715	Motor; 23 Frame; Single Stack	EA
4	35815	Nut; Push Nut	EA

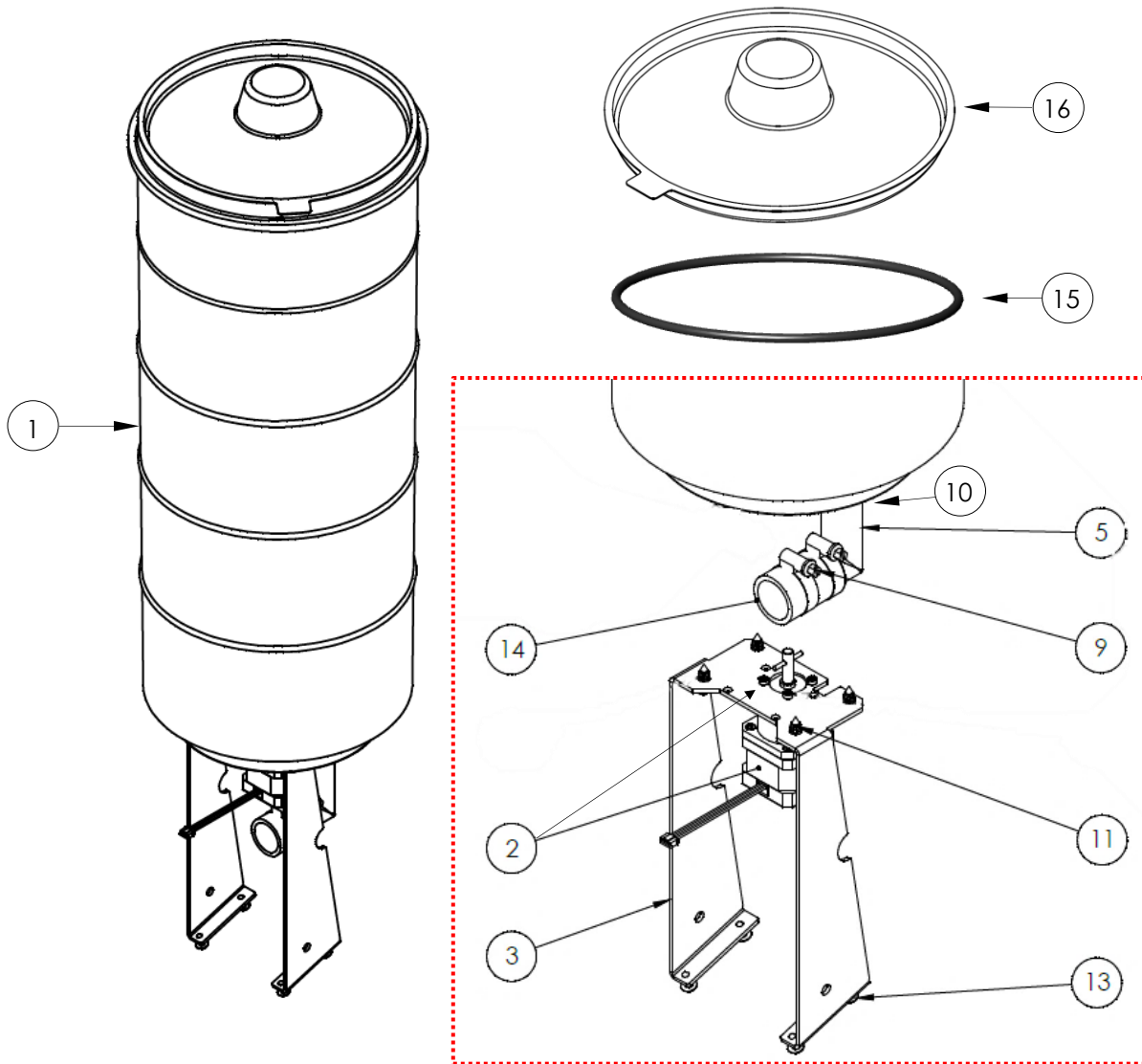


## DPI Nozzle And Can Locator LED's



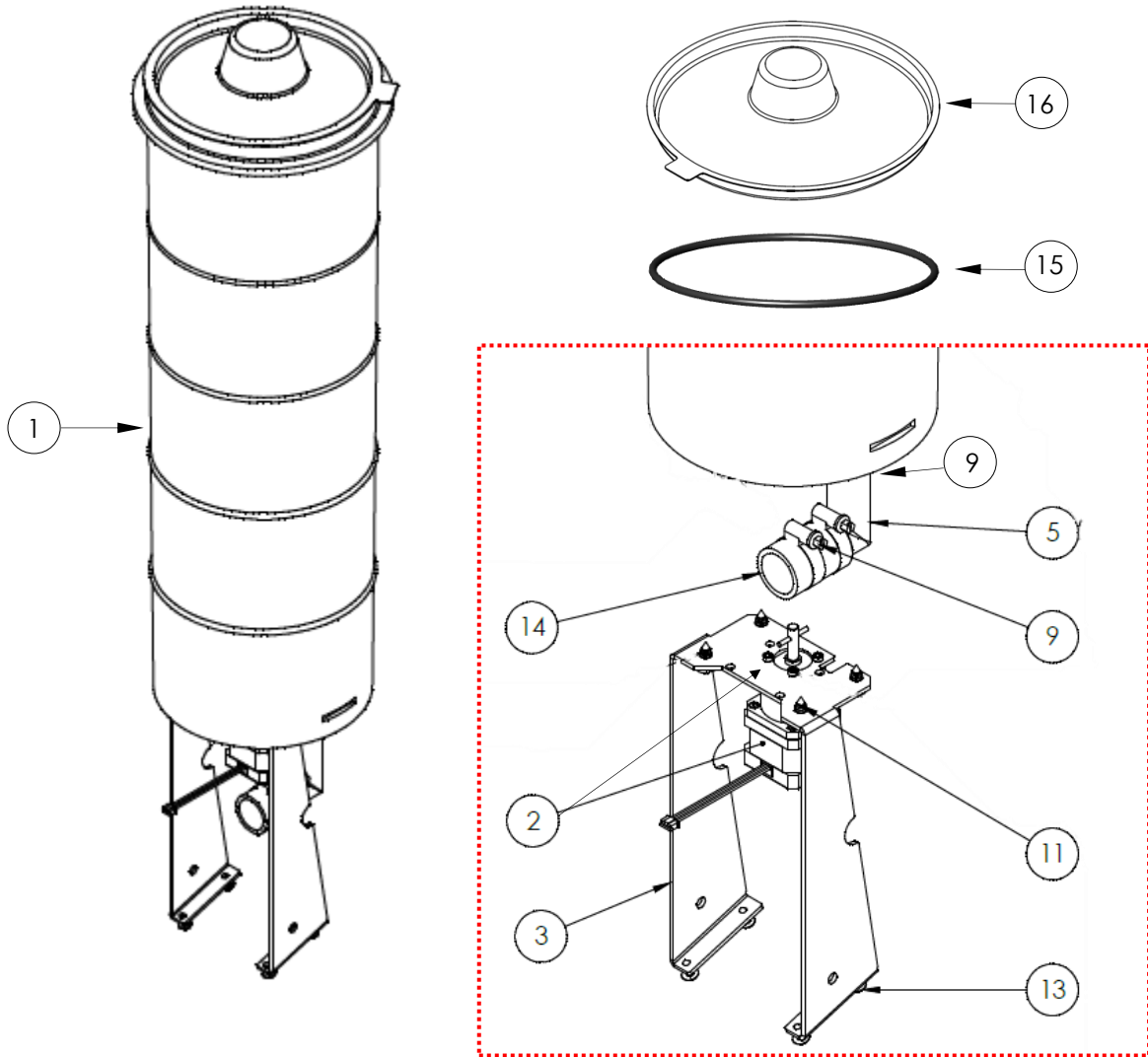
Item	Part Number	Description	UOM
1	39049	Kit; DPI; AS9500 w/tubing	EA
2	38694	Pushbutton; Momentary; Actuating	EA
3	39035	Kit; Can Locator; ASX500	EA

## AS9500 5 Gallon Canister



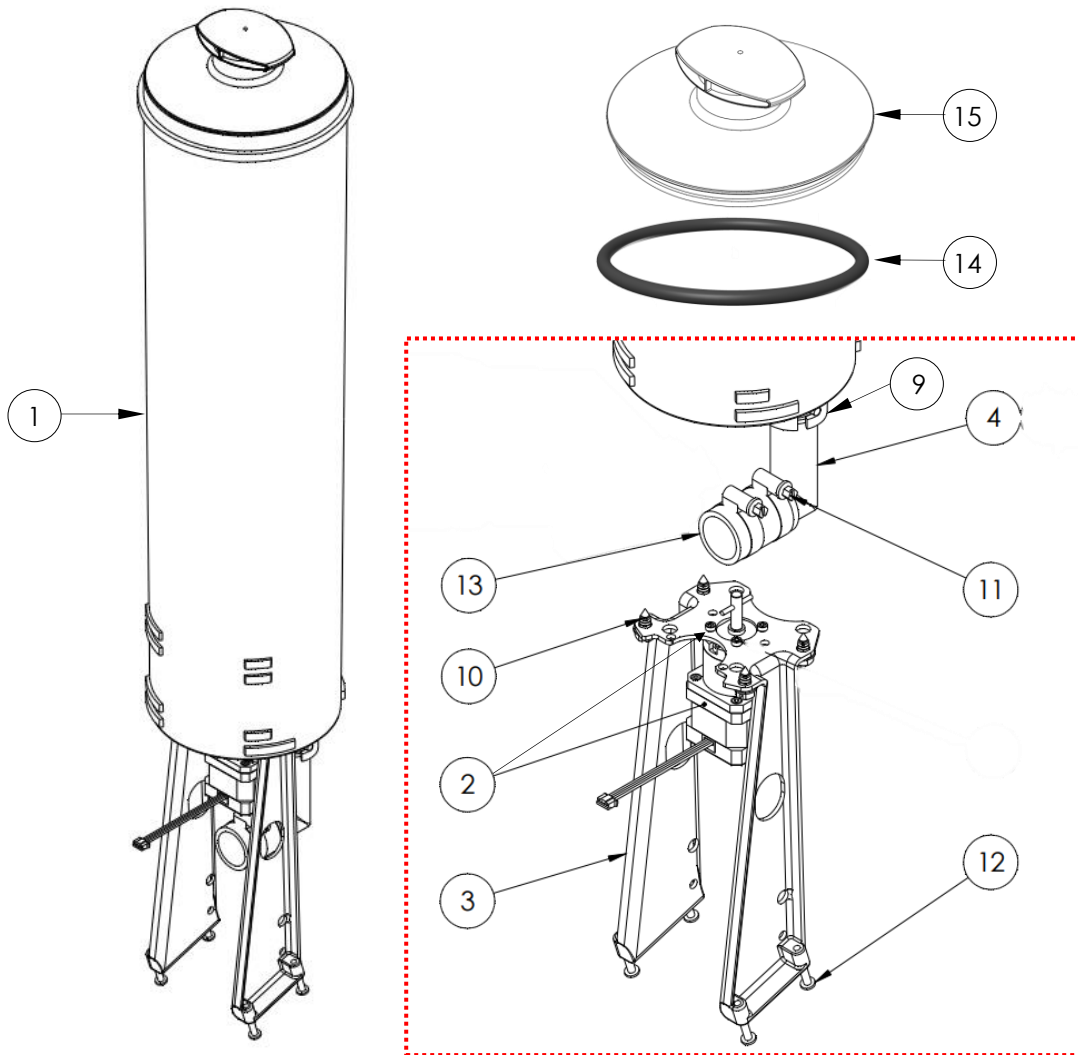
Item	Part Number	Description	UOM
1	39053	Kit; Canister; 5G w/o Pumps; FS Kit	EA
2	39054	Kit; Agitation Motor, ASX500	EA
3	34317	Bracket; Mounting; Pump/Agitation Motor	EA
5	33004	Tube; pump Inlet; 4L & 6L canisters	EA
9	05686	Clamps; Hose; Size R12, Band, SST	EA
10	32535	O-rings; 2mm x 24 mm ID, Viton	EA
11	29879	Screws; Sheet Metal #14, 0.5" long	EA
13	35720	Screw; Phillips; THCS; 8-32X0.375; ZINC	EA
14	32996	Tube; Coupler, Flexible; Clear	EA
15	15988	O-ring; 6-3/4 ID; 3/16 Thick; BUNA	EA
16	33637	Cover; Canister; 5 Gallon	EA

## AS9500 3 Gallon Canister



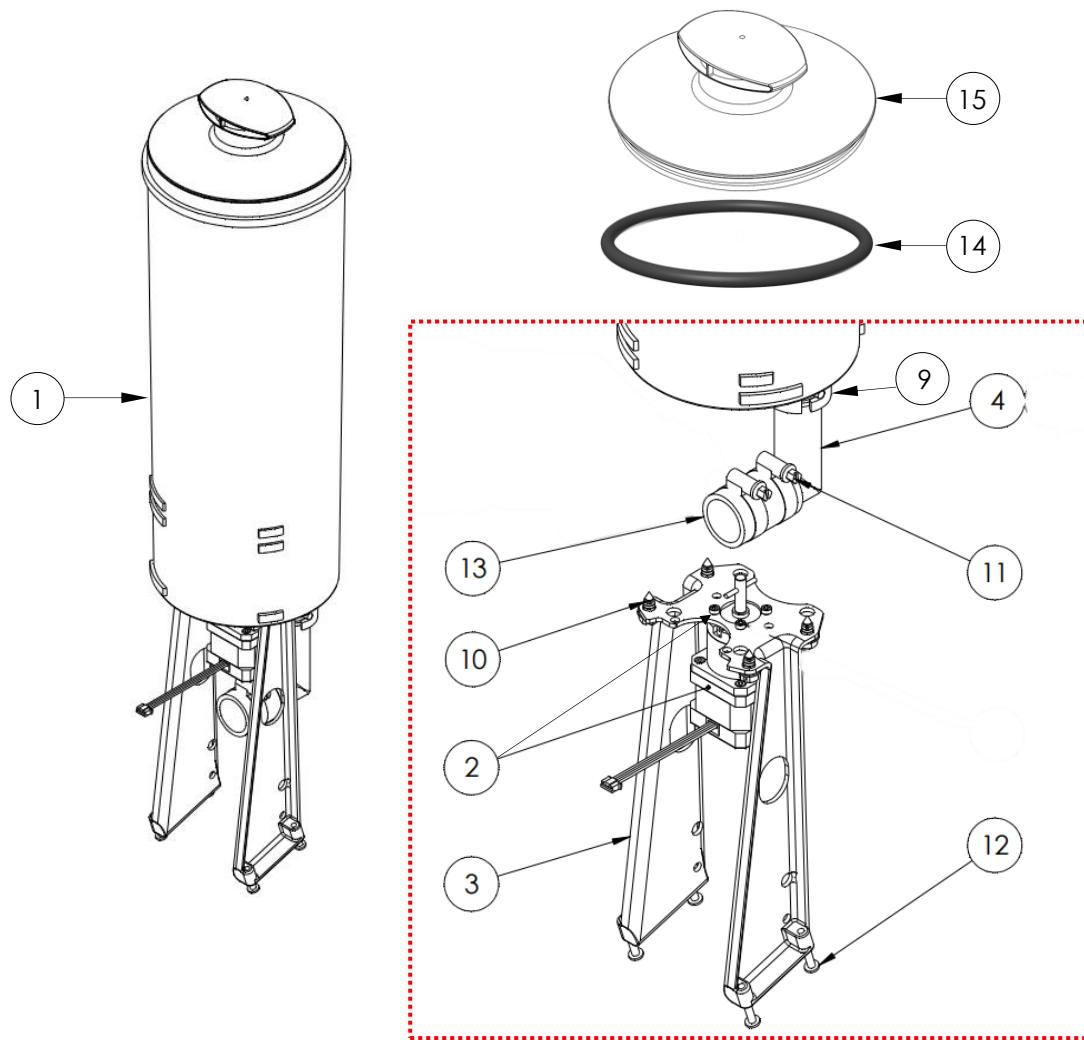
Item	Part Number	Description	UOM
1	39052	Kit; Canister; 3G w/o Pumps; FS Kit	EA
2	39054	Kit; Agitation Motor, ASX500	EA
3	34317	Bracket; Mounting; Pump/Agitation Motor	EA
5	33004	Tube; pump Inlet; 4L & 6L canisters	EA
9	05686	Clamps; Hose; Size R12, Band, SST	EA
10	32535	O-rings; 2mm x 24 mm ID,Viton	EA
11	29879	Screws; Sheet Metal #14, 0.5" long	EA
13	35720	Screw; Phillips; THCS; 8-32X0.375; ZINC	EA
14	32996	Tube; Coupler, Flexible; Clear	EA
15	15988	O-ring; 6-3/4 ID; 3/16 Thick; BUNA	EA
16	36325	Cover; Canister; 3 Gallon	EA

# AS9500 6 QT Canister



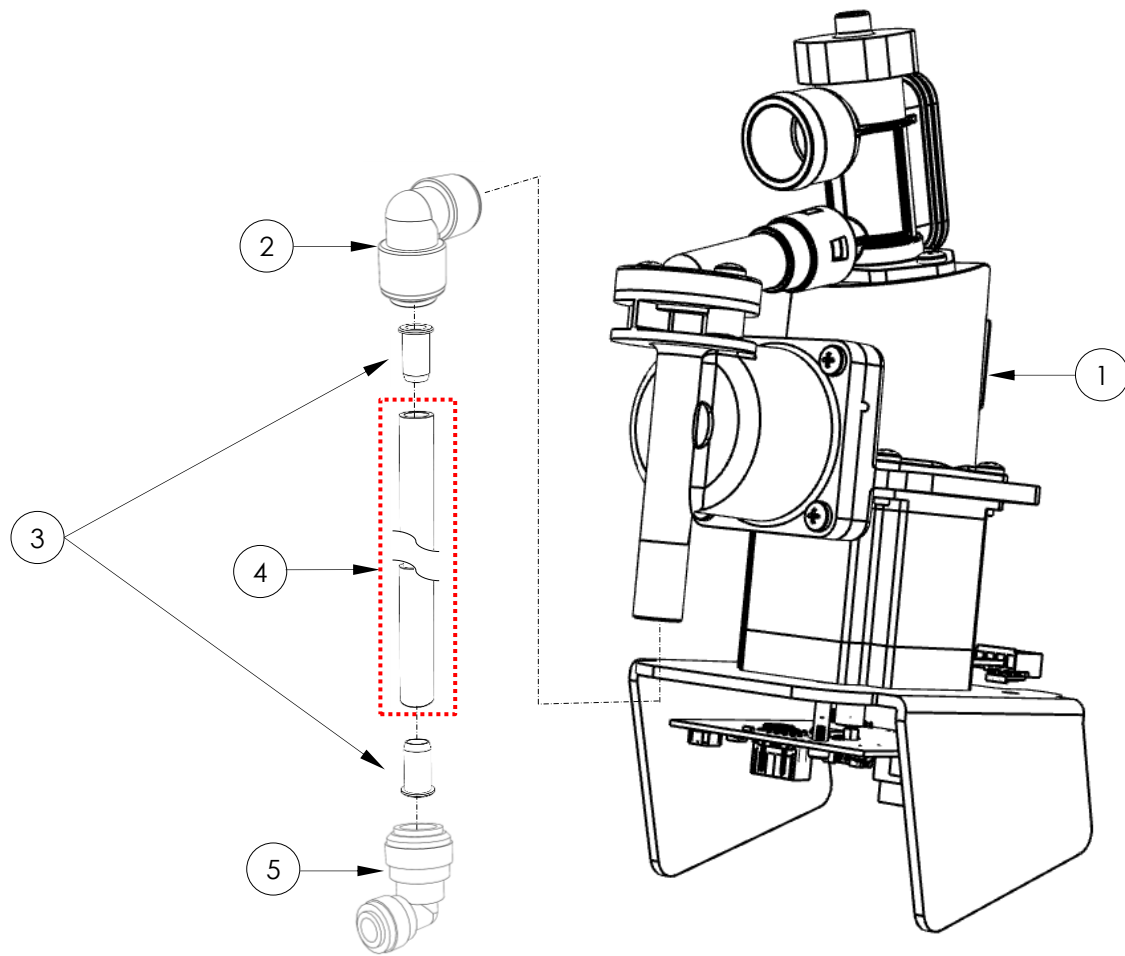
Item	Part Number	Description	UOM
1	39037	Canister; 6 Qt w/o Pump; FS Kit	EA
2	39054	Kit; Agitation Motor, ASX500	EA
3	36791	Bracket; Pump Mounting; Plastic	EA
4	33004	Tube; pump Inlet; 4Qt & 6Qt canisters	EA
9	32535	O-rings; 2mm x 24 mm ID, Viton	EA
10	29879	Screws; Sheet Metal #14, 0.5" long	EA
11	05686	Clamps; Hose; Size R12, Band, SST	EA
12	36602	Screws; Pastite; 8-16x5/8	EA
13	32996	Tube; Coupler, Flexible; Clear	EA
14	35605	O-RING; AS-429; 5" ID; BUNA N	EA
15	37872	Cover; Canister; 4Qt & 6 Qt	EA

# AS9500 4 QT Canister



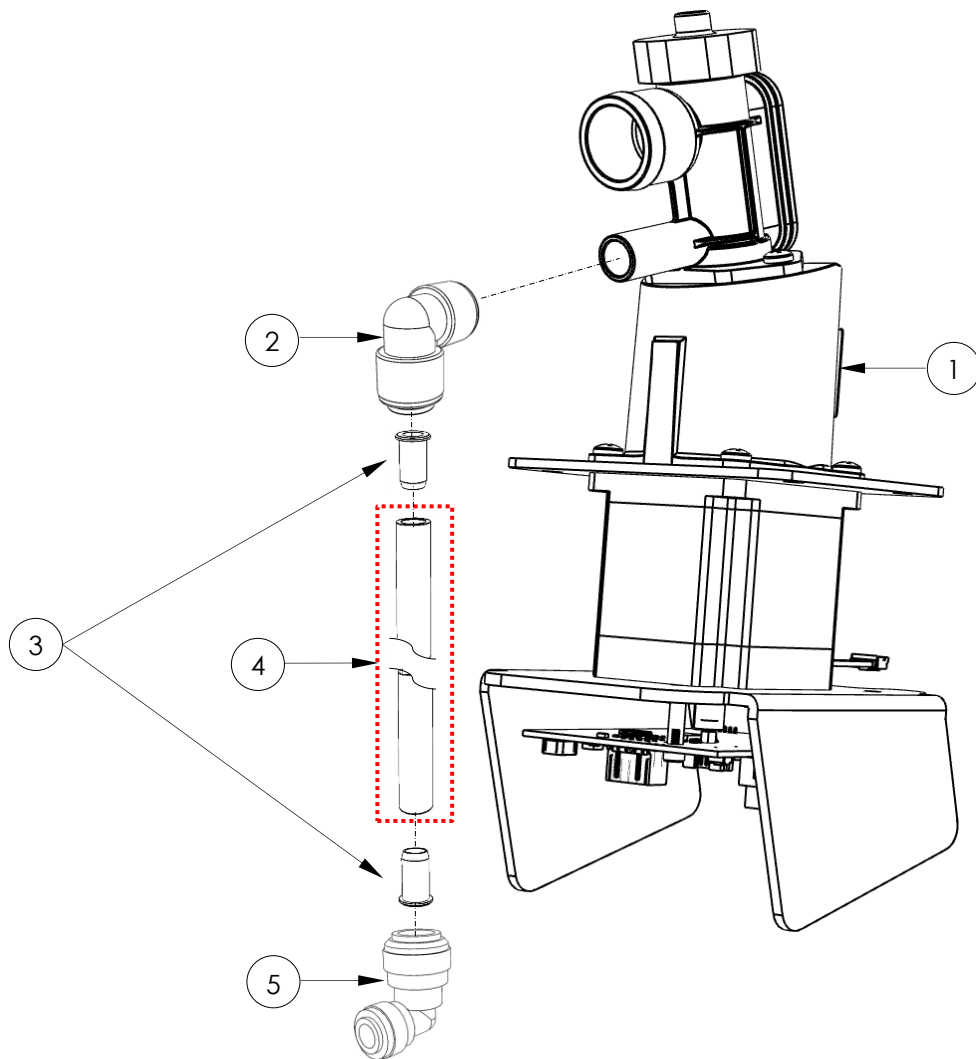
Item	Part Number	Description	UOM
1	39038	Canister; 4 Qt w/o Pump; FS Kit	EA
2	39054	Kit; Agitation Motor, ASX500	EA
3	36791	Bracket; Pump Mounting; Plastic	EA
4	33004	Tube; pump Inlet; 4Qt & 6Qt canisters	EA
9	32535	O-rings; 2mm x 24 mm ID, Viton	EA
10	29879	Screws; Sheet Metal #14, 0.5" long	EA
11	05686	Clamps; Hose; Size R12, Band, SST	EA
12	36602	Screws; Pastite; 8-16x5/8	EA
13	32996	Tube; Coupler, Flexible; Clear	EA
14	35605	O-RING; AS-429; 5" ID; BUNA N	EA
15	37872	Cover; Canister; 4Qt & 6 Qt	EA

## AS9500 Steady Flow Pump, Connectors & Tubing



Item	Part Number	Description	UOM
1	38710	Pump, SFP; HS; Dbl Seal; PCB Control	EA
2	4600326	Fitting; Elbow; Union; 1/2" x 1/2"	EA
3	36790	Insert; Tube; Reinforcement	EA
4	28470	Tube; 3/8" ID x 1/2" OD	EA
5	27401	Connector; Elbow 5/16" x 1/2"	EA

## AS9500 Pump, Connectors & Tubing



Item	Part Number	Description	UOM
1	38690	Pump, HS; Dbl Seal; PCB Control	EA
2	4600326	Fitting; Elbow; Union; ½" x ½"	EA
3	36790	Insert; Tube; Reinforcement	EA
4	28470	Tube; 3/8" ID x ½" OD	FT
5	27401	Connector; Elbow 5/16" x ½"	EA

## AS9500 Internal Wire Harnesses

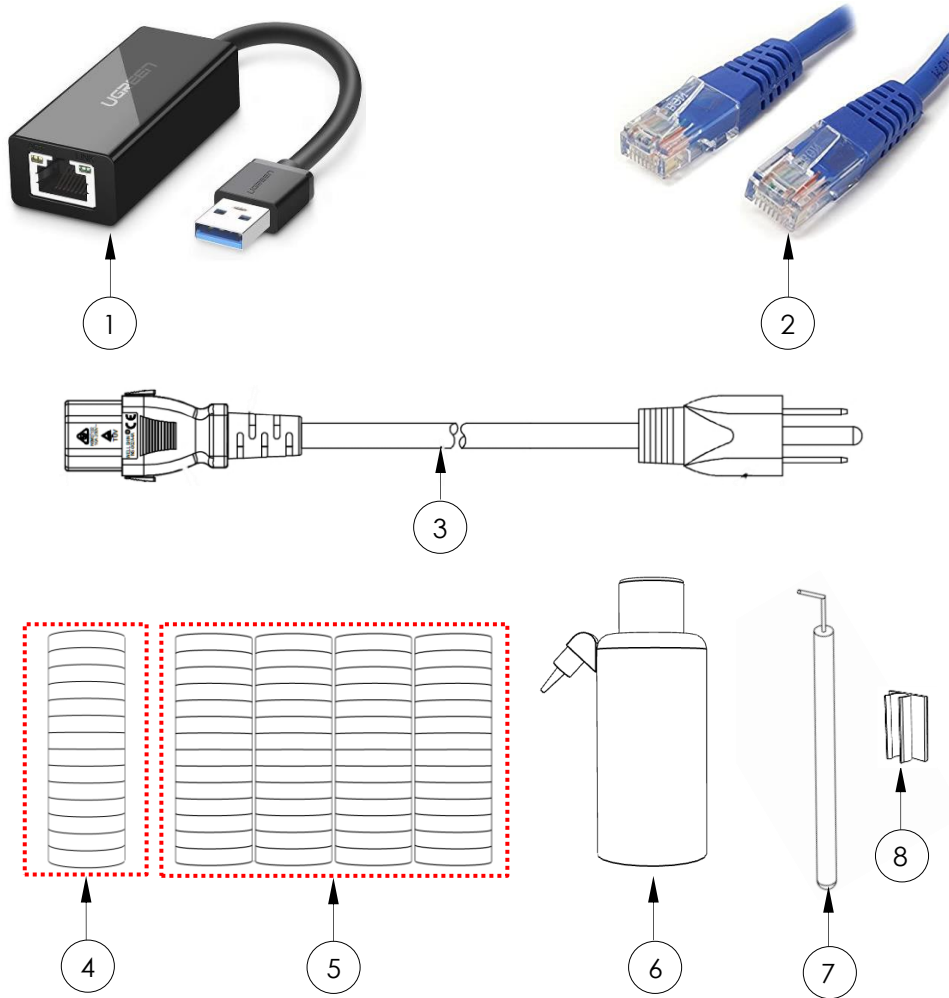
Description	Quantity
Harness; Misc. AC; ASX500	1
Harness; Abort Switch; AS9500	1
Harness; Nozzle Closer; Sensor	1
Harness; DC Power; PS	1
Harness; Can Locator; Power	1



Item	Part Number	Description	UOM
1	39010	Harness Bag Kit AS500	EA
2	38434	Harness; DC Power to Rembrandt (Not Shown)	EA
3	38435	Harness; Fluid Sense (Not Shown)	EA
4	39004	DPI Sensor Probe (Not Shown)	EA



## Maintenance Accessories and Cables



Item	Part Number	Description	UOM
1	38868	Adapter; USB to Ethernet; RJ45 LAN	EA
2	39059	Cable; 6'; CAT5e	EA
3	35719	Cord; 8'; Power; 120VAC, Locking;	EA
4	36664	Kit; Sponge; QTY 14	EA
5	36665	Kit; Sponge; QTY 56	EA
6	29678	Bottle; Wash 125ml	EA
7	29767	Needle; Pick; Nozzle Cleaner	EA
8	29764	Holder; Pick; Adhesive Backing	EA