

Fluid Management, Inc - Service Library

AS7500 Spare Parts Manual



For models:

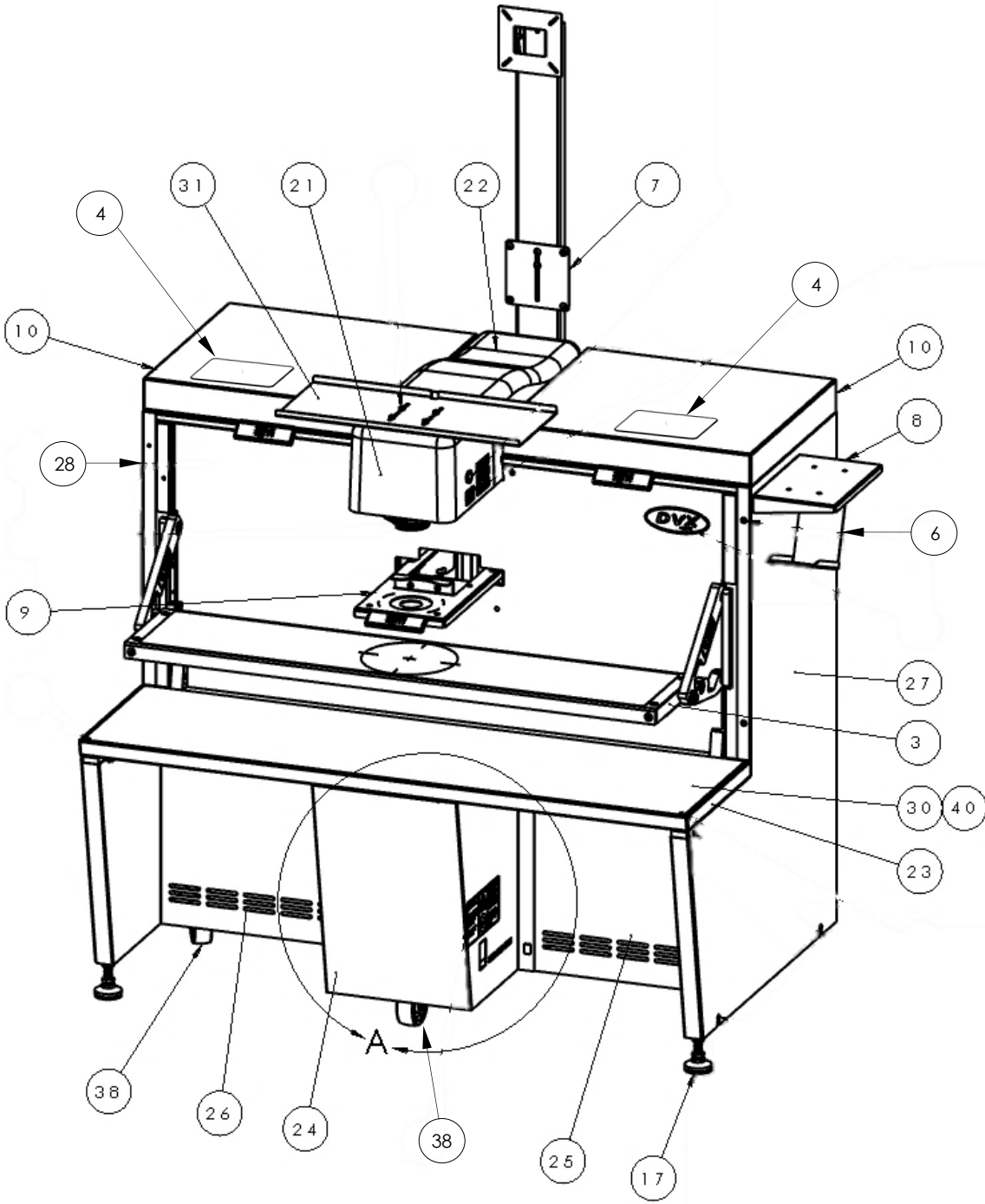
38600, 39200, 39300

2021

AS 7500 Spare Parts Manual - Fluid Management Rev. C 2021-05

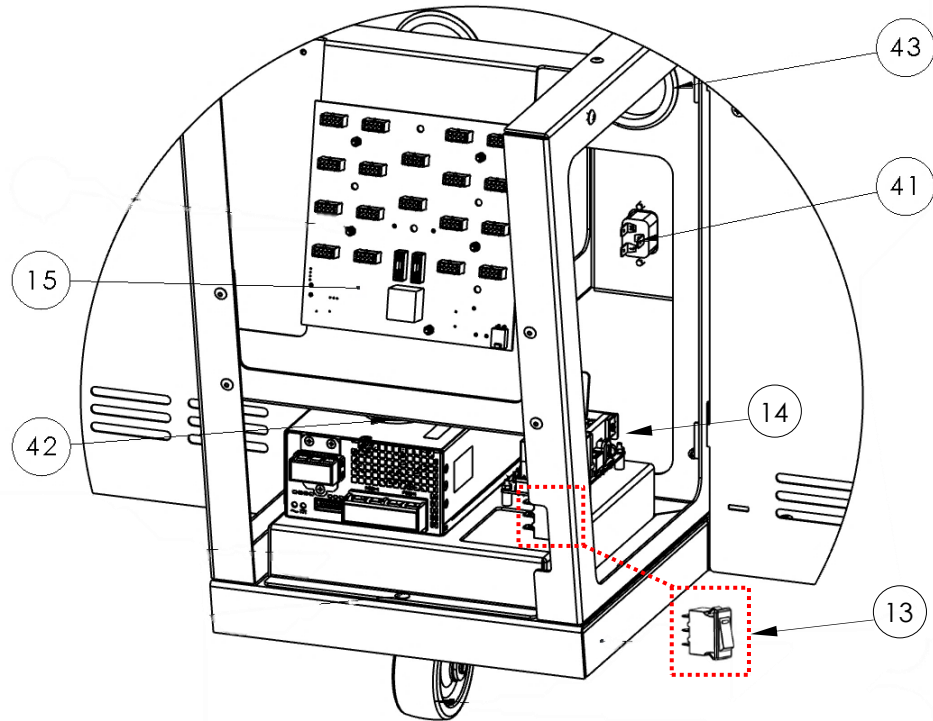
Property of Fluid Management, Inc

AS7500 Front



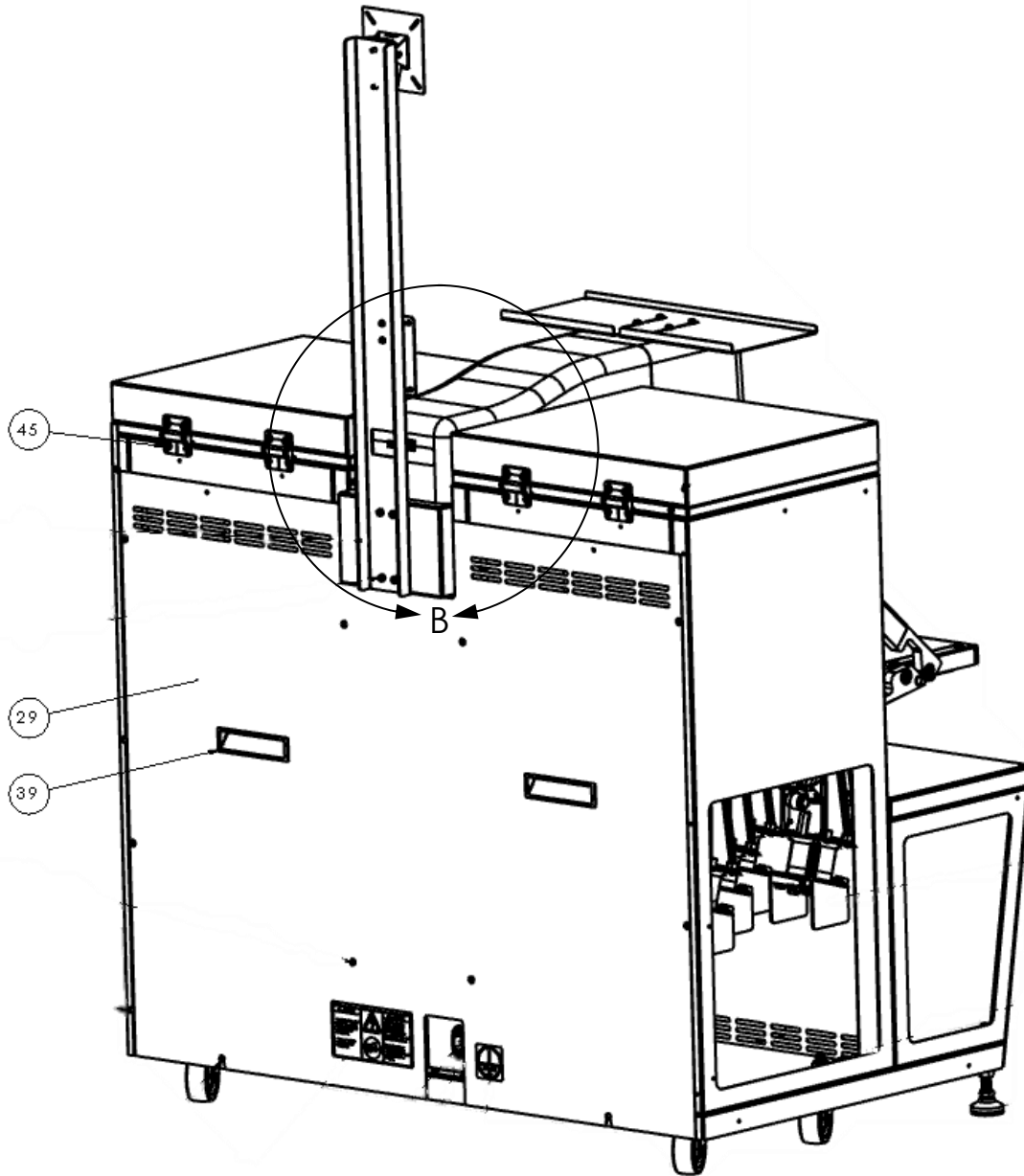
Item	Part Number	Description	UOM
3	38620	Shelf; 1-Gallon	EA
4	37997	Pad; Mouse; Self Adhesive	EA
6	38791	Bracket; Scan Gun	EA
7	38788	Bracket; PC Mount	EA
8	38789	Shelf; Label Printer	EA
9	38610	Shelf; Qt. Assy.; Complete	EA
10	39044	Kit; Canister Lid AS7500	EA
17	38674	Mount; Leveling Foot; ½-13x4" Stud	EA
18	34044	Bearing; Linear Guide (For Quart Shelf, Not Shown)	EA
19	39039	Kit; Handle; AS7500	EA
21	39045	Kit; Nozzle Cover; AS7500	EA
22	38652	Cover; Rear; Nozzle Assembly	EA
23	38603	Weldment; shelf; 5G	EA
24	39043	Kit; Front Electronics Panel	EA
25	38605	Cover; Bottom, Shelf, Right Hand	EA
26	38606	Cover; Bottom, Shelf, Left Hand	EA
27	38607	Panel; Side; Right Hand	EA
28	38608	Panel; Side; Left Hand	EA
30	38645	Sheet; Overlay; 5-Gal Shelf	EA
31	38758	Bracket; Keyboard Holder	EA
38	36968	Caster; 3' Diameter	EA
40	34093	Tape; Conformable Foam	EA

AS7500 Lower Electronics (Section A)



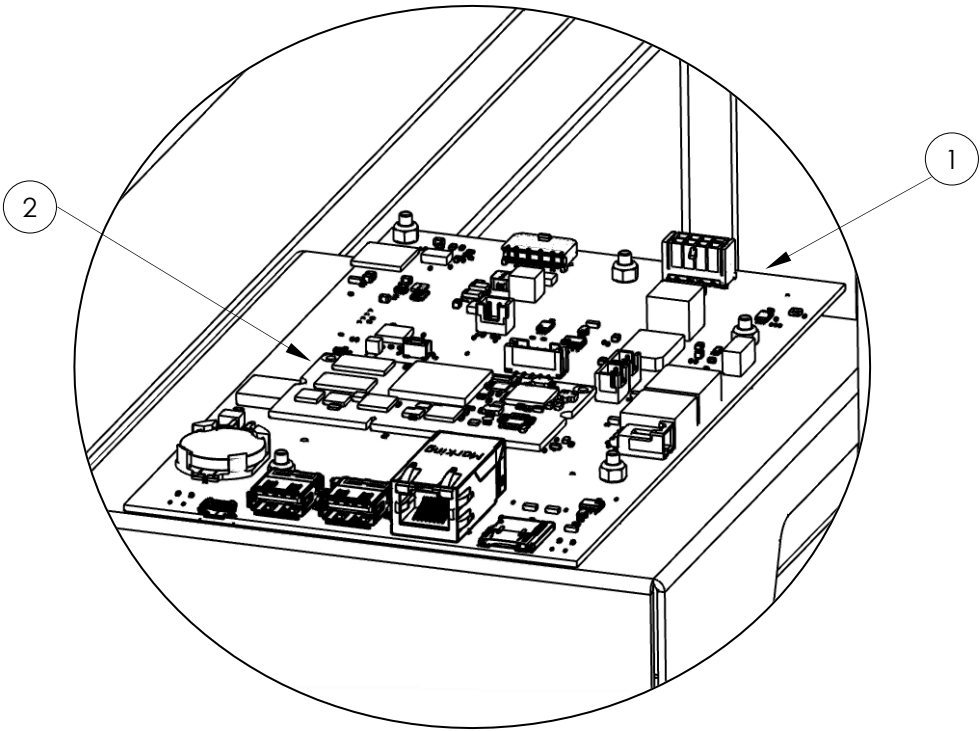
Item	Part Number	Description	UOM
13	81512215RH	Switch Rocker; Circuit Breaker	
14	38164	Power Supply; 24 VDC; ETL Approved	EA
15	38575	Assy; PCB; Power Distribution (Davinci)	EA
41	81791333RH	Connector; Receptacle Outlet	EA
42	38673	Power Supply; 48V; 600W	EA
43	36408	Grommet	EA
44	39057	Fuse; 5 Amp; Glass 250VAC; Slow Blow (Not Shown)	EA
45	39058	Fuse; Blade; 10 Amp; 80 VDC; Normal Blow (Not Shown)	EA

AS7500 Rear



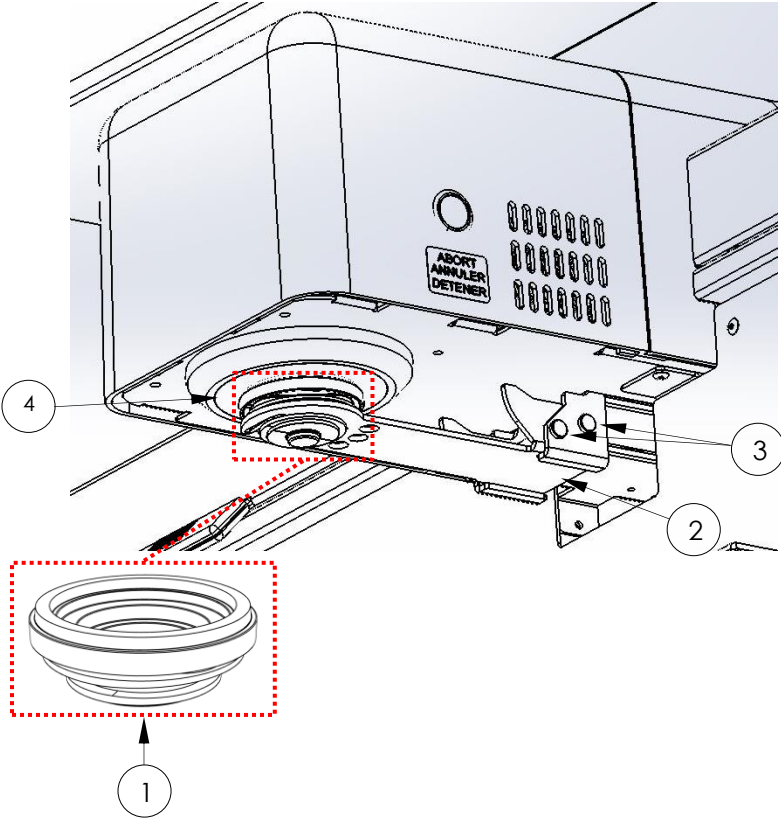
Item	Part Number	Description	UOM
29	39042	Panel; Back	EA
39	15134	Handle; Pull Pocket	EA
45	38649	Hinge; Position Control	EA

Coordinator & SOM (Section B)



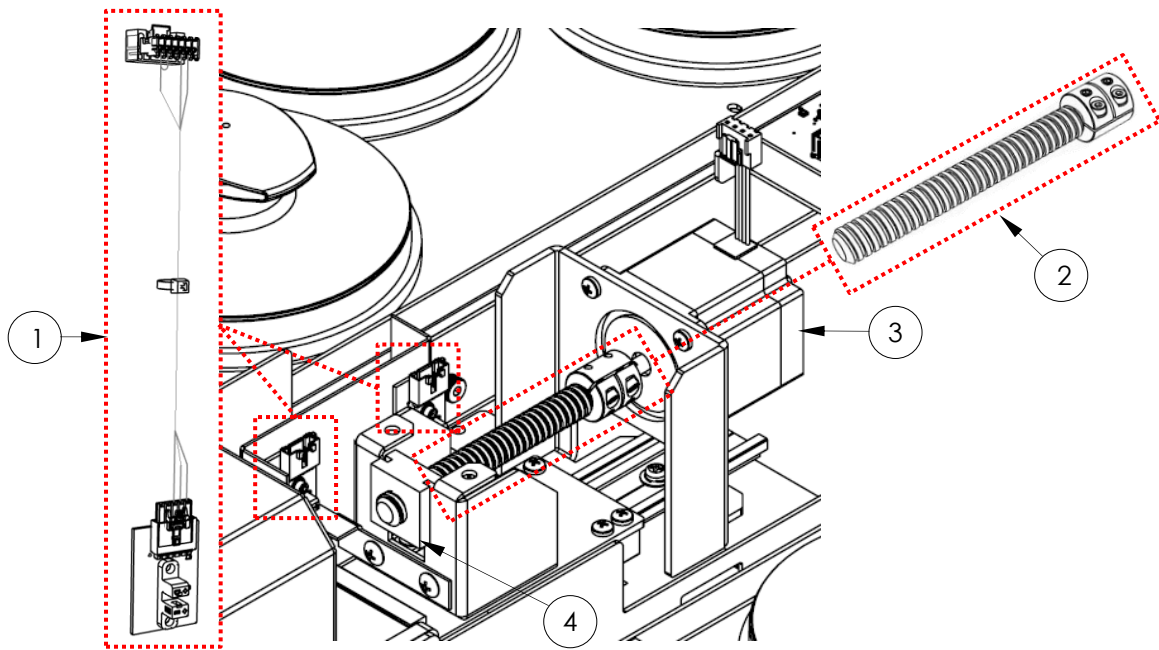
Item	Part Number	Description	UOM
1	38576	Assy; PCB; Coordinator (Michelangelo)	EA
2	38810	PCB; SOM (Specific Programming Req.)	EA

External Nozzle Assembly



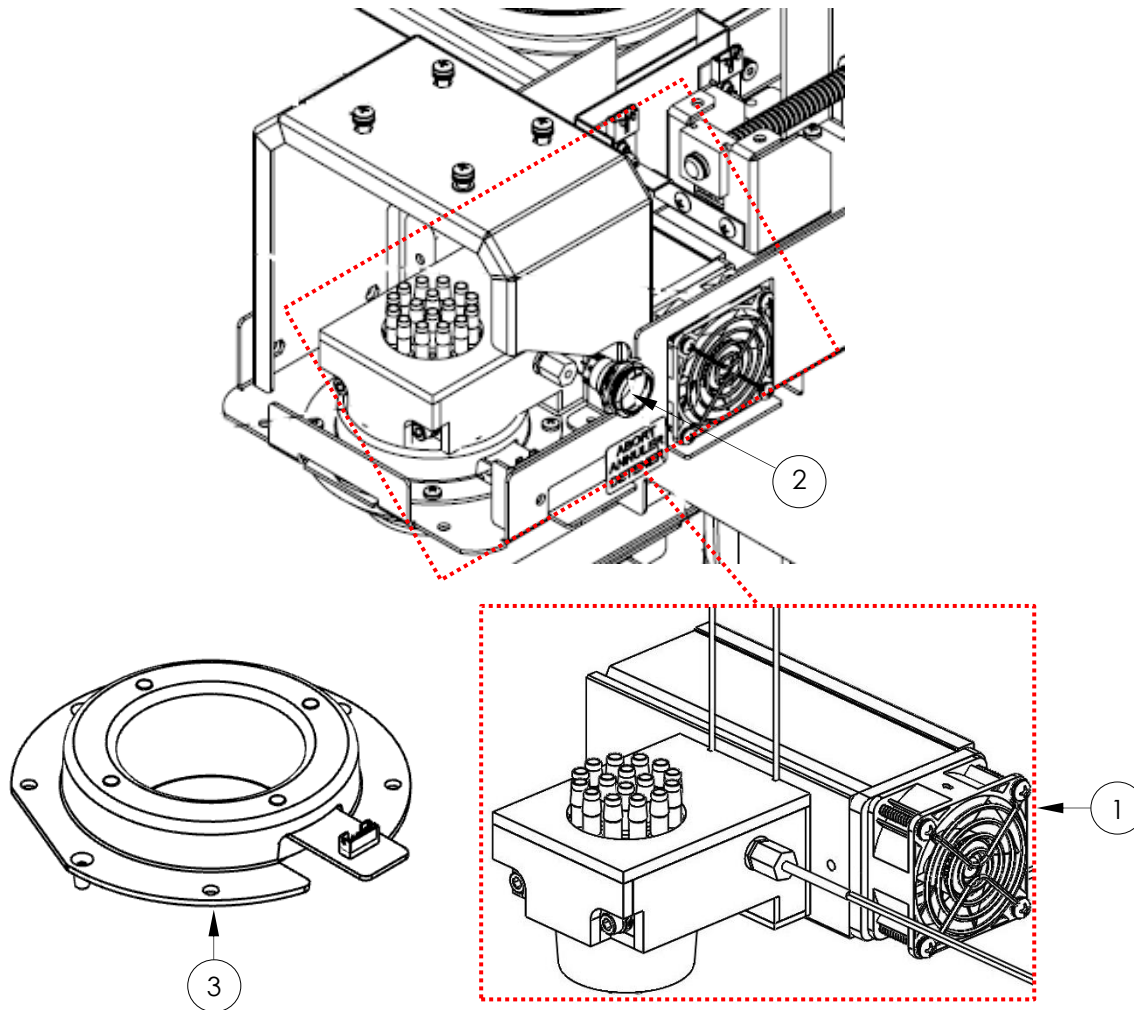
Item	Part Number	Description	UOM
1	36019	Assy; Cup; Spring Loaded	EA
2	38345	Bracket; Nozzle Cup	EA
3	38341	Pin; Retaining w/ Side Mounted Ring	EA
4	39015	Lens; Array; LED Locator	EA

Internal Nozzle Assembly



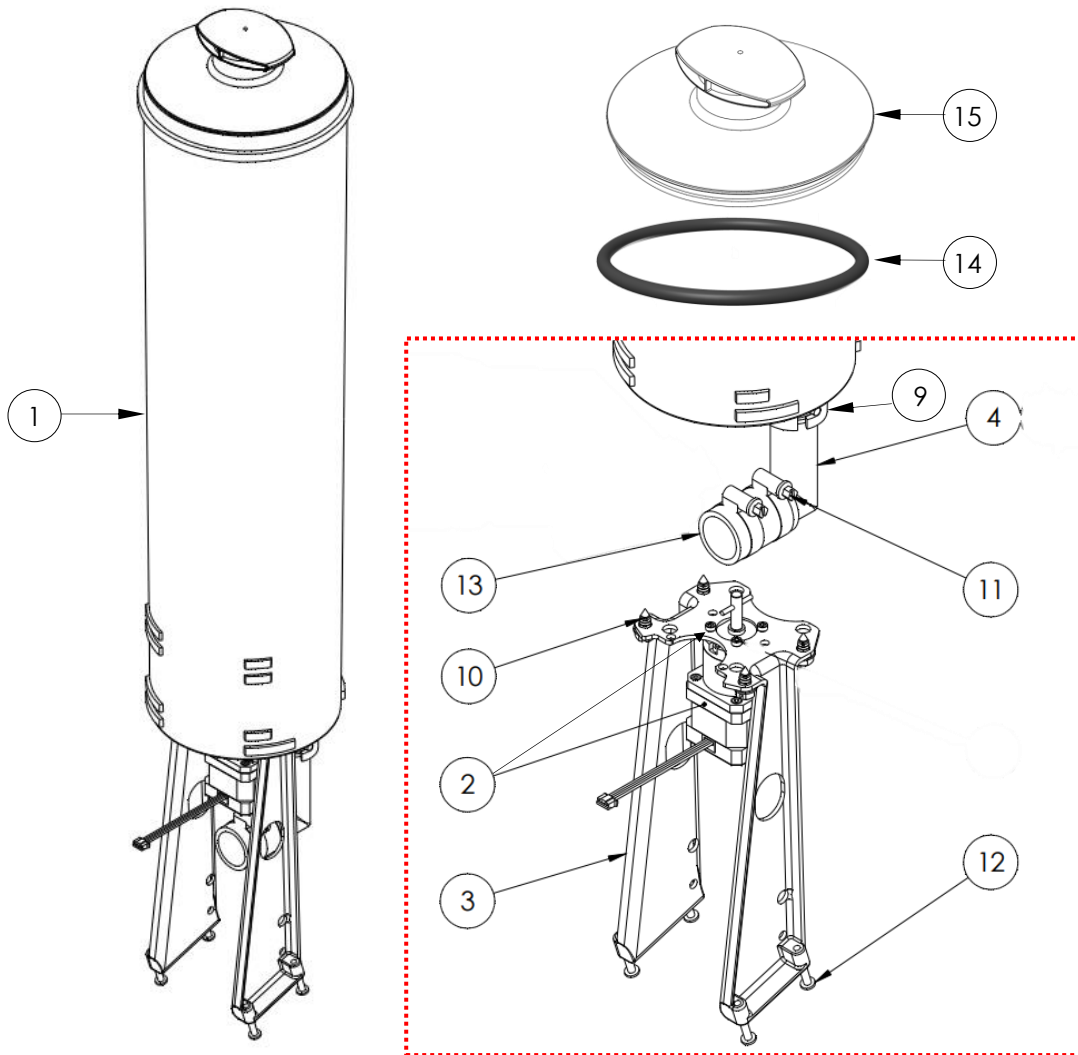
Item	Part Number	Description	UOM
1	38091	PCB; Assy; Opto Sensor Board	EA
2	37077	Kit; Nozzle Closer	EA
3	38715	Motor; 23 Frame; Single Stack	EA
4	35815	Nut; Push Nut	EA

DPI Nozzle & Can Locator LED's



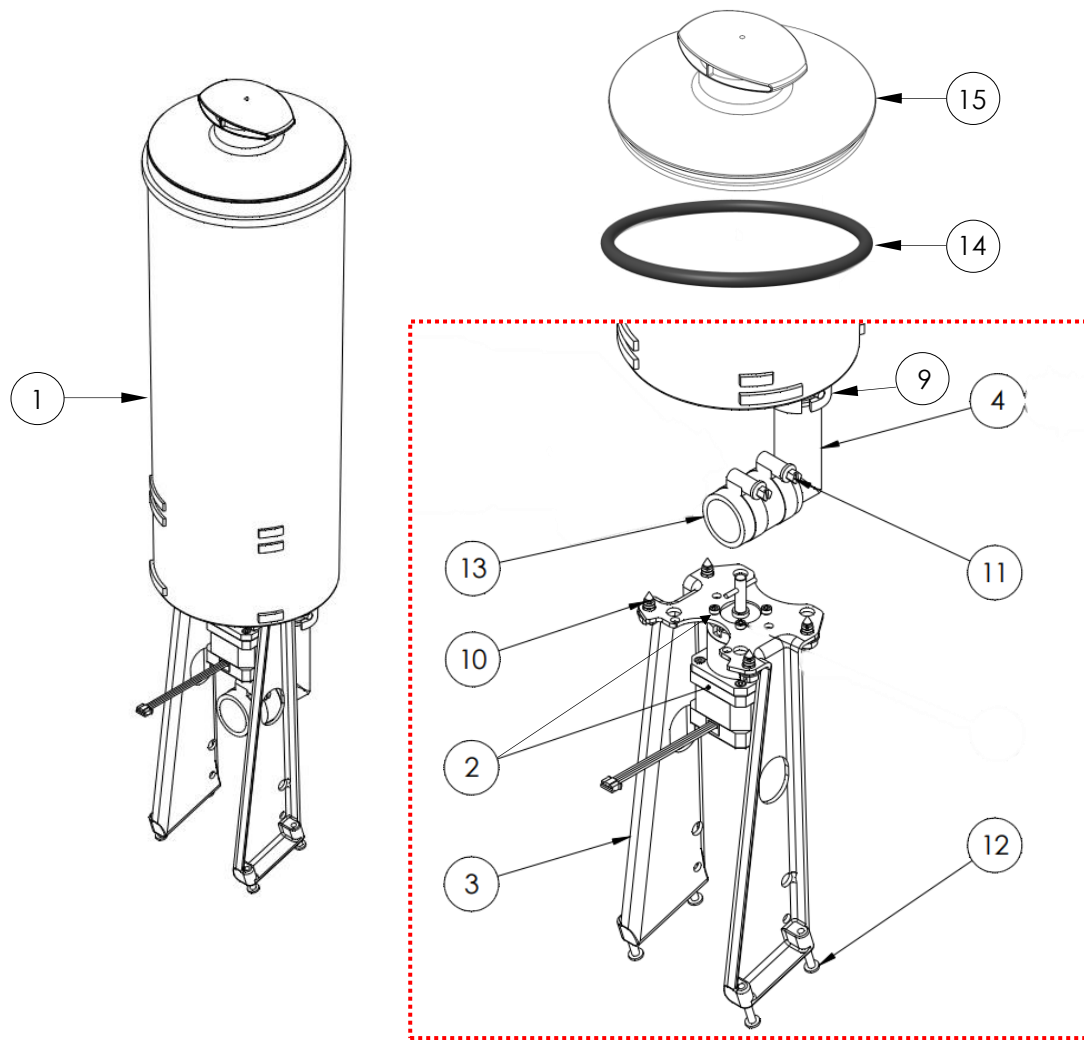
Item	Part Number	Description	UOM
1	39049	Kit; DPI; AS7500 w/tubing	EA
2	38694	Pushbutton; Momentary; Actuating	EA
3	39035	Kit; Can Locator; ASX500	EA

AS7500 6 QT Canister



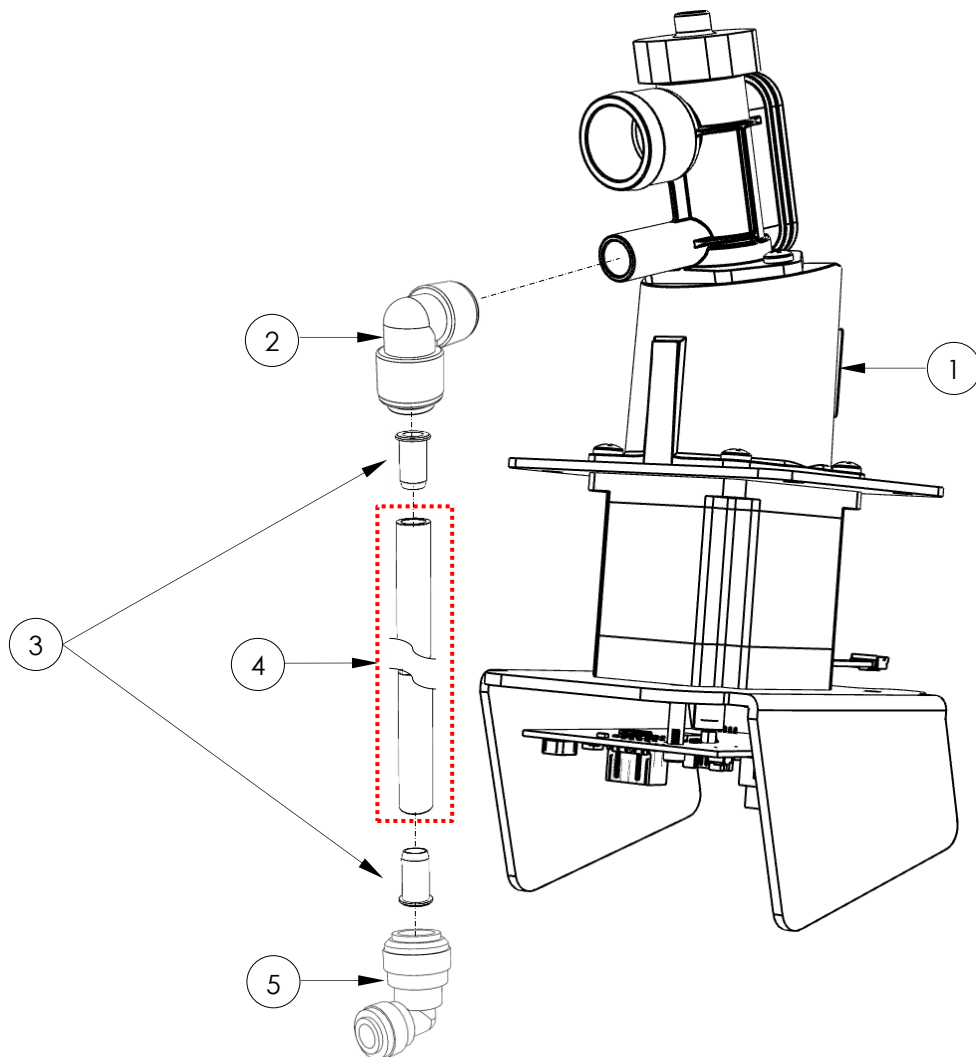
Item	Part Number	Description	UOM
1	39037	Canister; 6 Qt w/o Pump; FS Kit	EA
2	39054	Kit; Agitation Motor, ASX500	EA
3	36791	Bracket; Pump Mounting; Plastic	EA
4	33004	Tube; pump Inlet; 4Qt & 6Qt canisters	EA
9	32535	O-rings; 2mm x 24 mm ID, Viton	EA
10	29879	Screws; Sheet Metal #14, 0.5" long	EA
11	05686	Clamps; Hose; Size R12, Band, SST	EA
12	36602	Screws; Pastite; 8-16x5/8	EA
13	32996	Tube; Coupler, Flexible; Clear	EA
14	35605	O-RING; AS-429; 5" ID; BUNA N	EA
15	37872	Cover; Canister; 4Qt & 6 Qt	EA

AS7500 4 QT Canister



Item	Part Number	Description	UOM
1	39038	Canister; 4 Qt w/o Pump; FS Kit	EA
2	39054	Kit; Agitation Motor, ASX500	EA
3	36791	Bracket; Pump Mounting; Plastic	EA
4	33004	Tube; pump Inlet; 4Qt & 6Qt canisters	EA
9	32535	O-rings; 2mm x 24 mm ID, Viton	EA
10	29879	Screws; Sheet Metal #14, 0.5" long	EA
11	05686	Clamps; Hose; Size R12, Band, SST	EA
12	36602	Screws; Pastite; 8-16x5/8	EA
13	32996	Tube; Coupler, Flexible; Clear	EA
14	35605	O-RING; AS-429; 5" ID; BUNA N	EA
15	37872	Cover; Canister; 4Qt & 6 Qt	EA

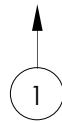
AS7500 Pump, Connectors & Tubing



Item	Part Number	Description	UOM
1	38690	Pump, HS; Dbl Seal; PCB Control	EA
2	4600326	Fitting; Elbow; Union; ½" x ½"	EA
3	36790	Insert; Tube; Reinforcement	EA
4	28470	Tube; 3/8" ID x ½" OD	FT
5	27401	Connector; Elbow 5/16" x ½"	EA

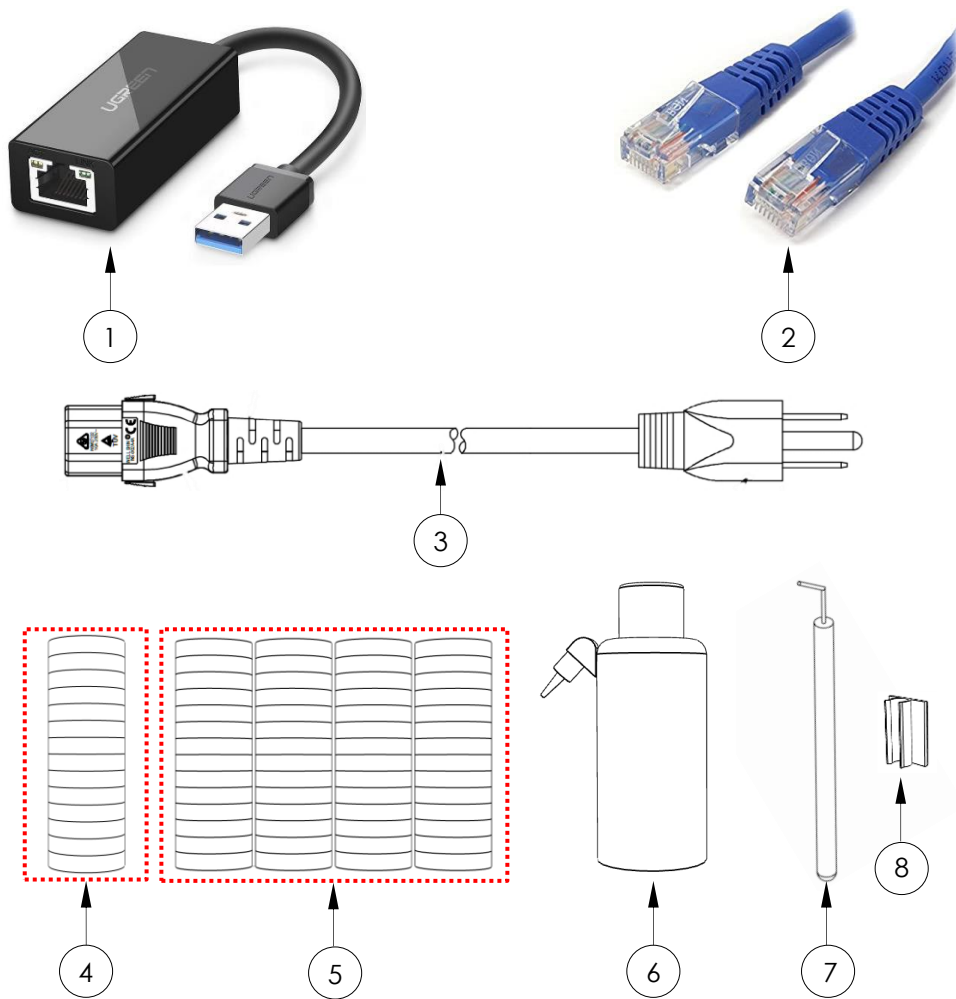
AS7500 Internal Wire Harnesses

Description	Quantity
Harness; Misc. AC; ASX500	1
Harness; Abort Switch; AS9500	1
Harness; Nozzle Closer; Sensor	1
Harness; DC Power; PS	1
Harness; Can Locator; Power	1



Item	Part Number	Description	UOM
1	39010	Harness Bag Kit AS500	EA
2	38434	Harness; DC Power to Rembrandt (Not Shown)	EA
3	38435	Harness; Fluid Sense (Not Shown)	EA
4	39004	DPI Sensor Probe (Not Shown)	EA

Cables & Maintenance Accessories



Item	Part Number	Description	UOM
1	38868	Adapter; USB to Ethernet; RJ45 LAN	EA
2	39059	Cable; 6"; CAT5e	EA
3	35719	Cord; 8'; Power; 120VAC, Locking;	EA
4	36664	Kit; Sponge; QTY 14	EA
5	36665	Kit; Sponge; QTY 56	EA
6	29678	Bottle; Wash 125ml	EA
7	29767	Needle; Pick; Nozzle Cleaner	EA
8	29764	Holder; Pick; Adhesive Backing	EA